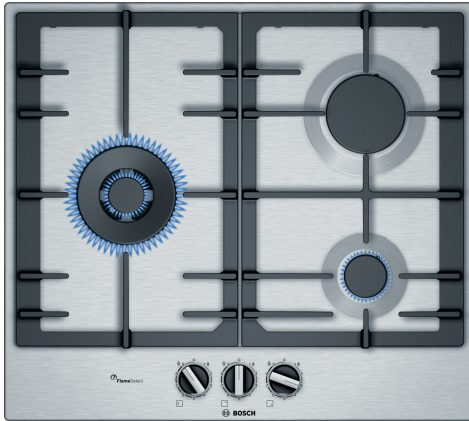


**Series 6, Gas hob, 60 cm, Stainless steel  
PCC6A5B90K**



- HEZ298105 Simmer plate
- HEZ298107 Wok ring
- HEZ298115 Small pot support

**The stainless-steel gas hob with  
FlameSelect: achieve perfect cooking  
results thanks to nine precisely defined  
power levels.**

- **Continuous cast-iron pan support:** for high firmness and stability of cookware.
- **Surface colour:** elegant stainless-steel design.
- **Sword knobs:** for an ergonomic control.
- **Low profile stainless steel cooking surface is easily accessible and quick to clean.**
- **FlameSelect: for a precise adjustment of the flame in nine defined levels.**

Product name/family: .....gas hob w integrated controls  
 Built-in / Free-standing: ..... Built-in  
 Energy input: .....Gas  
 Total number of positions that can be used at the same time: ..... 3  
 Type of control setting devices: .....sword knobs  
 Min. required niche size for installation (HxWxD): .....45 x 560-562 x 480-492 mm  
 Width of the appliance: ..... 582 mm  
 Dimensions: ..... 53 x 582 x 520 mm  
 Dimensions of the packed product (HxWxD): ..... 141 x 651 x 578 mm  
 Net weight: ..... 11.9 kg  
 Gross weight: ..... 12.8 kg  
 Residual heat indicator: ..... without  
 Location of control panel: ..... Front  
 Basic surface material: ..... Stainless steel  
 Color of surface: ..... Stainless steel  
 Length electrical supply cord: ..... 150.0 cm  
 Knob Material: .....Plastic  
 Sealed Burners: ..... No  
 Type of pan support: ..... Elongated cast iron pan support  
 Power of 2nd heating element (kW): .....4 kW  
 Power of 5th heating element (kW): ..... 3 kW  
 Connection rating: ..... 1 W  
 Gas connection rating: ..... 8000 W  
 Fuse protection: .....3 A  
 Voltage: ..... 220-240 V  
 Frequency: ..... 50; 60 Hz  
 Energy input: .....Gas  
 Gas type: .....Town gas 10 mbar  
 Plug type: .....GB plug  
 Appliance Dimensions (h x w x d) (in): ..... x x  
 Dimensions of the packed product: ..... 5.55 x 22.75 x 25.62  
 Net weight: ..... 26.000 lbs  
 Gross weight: ..... 28.000 lbs  
 Total number of positions that can be used at the same time: ..... 3  
 Length electrical supply cord: ..... 150.0 cm  
 Min. required niche size for installation (HxWxD): .....45 x 560-562 x 480-492 mm  
 Dimensions: ..... 53 x 582 x 520 mm  
 Dimensions of the packed product (HxWxD): ..... 141 x 651 x 578 mm  
 Net weight: ..... 11.9 kg  
 Gross weight: ..... 12.8 kg



## **Series 6, Gas hob, 60 cm, Stainless steel PCC6A5B90K**

**The stainless-steel gas hob with FlameSelect: achieve perfect cooking results thanks to nine precisely defined power levels.**

---

### **Heating Functions**

- 3 gas burners
- Left wok burner maximum power: up to 4 KW (depending on gas type)
- Rear right high-speed burner maximum power: up to 3 KW (depending on gas type)
- Front right economy burner maximum power: up to 1 KW (depending on gas type)

### **Design**

- Stainless steel
- sword knobs

### **Comfort**

- Cast iron pan supports
- Knob ignition
- Step valve 9 steps

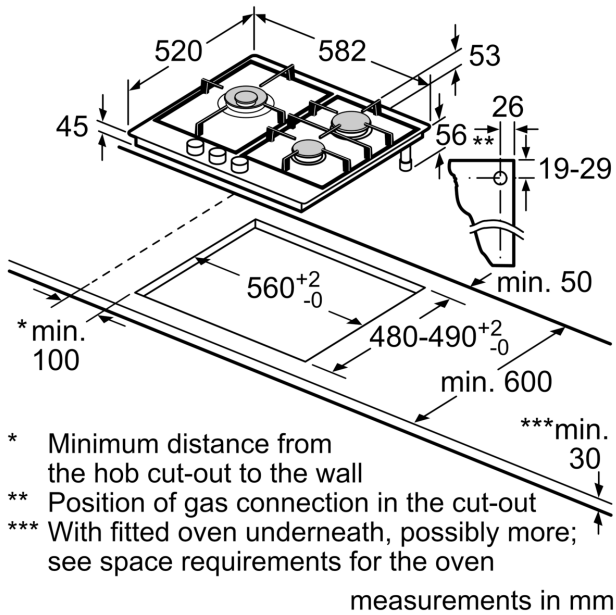
### **Technical informations:**

- Dimensions of the product (HxWxD mm) : 45 x 582 x 520
- Required niche size for installation (HXWxD mm): 170 x 560-562 x 480-492

### **\*Kindly refer to Bosch Technical Diagrams for installation guide**

- Gas connection rating: 8000 W
- Electrical connection rating: 1.1 W
- Length of mains cable: 150 cm

**Series 6, Gas hob, 60 cm, Stainless steel**  
**PCC6A5B90K**



- \* Minimum distance from the hob cut-out to the wall
- \*\* Position of gas connection in the cut-out
- \*\*\* With fitted oven underneath, possibly more; see space requirements for the oven