

**Series 2, Built-in oven, 60 x 60 cm,
Stainless steel
HHF133BS0B**



The built-in oven with 3D hot air: achieve perfect baking and roasting results on up to three levels simultaneously.

- **LED-display control, red:** easy-to-use thanks to the time functions.
- **Pop-out controls:** for an easy to clean front.
- **EcoClean Direct:** almost no cleaning is necessary thanks to a special coating of the rear wall that automatically absorbs grime.

1 x insert grid, 1 x combination grid, 1 x universal pan

- HEZ317000 Pizza pan, enamelled
- HEZ327000 Pizza stone
- HEZ333001 Lid for professional pan
- HEZ431002 Baking tray, enamelled
- HEZ438201 2 level telescopic shelf rails
- HEZ438301 3 level telescopic shelf rails
- HEZ625071 Grill tray, anthracite
- HEZ915003 Glass roasting dish, 5,4 L

Gross weight: 33.9 kg
 Built-in / Free-standing: Built-in
 Integrated Cleaning system: EcoClean Direct program
 Min. required niche size for installation (HxWxD): 575-597 x 560-568 x 550 mm
 Dimensions: 595 x 594 x 548 mm
 Dimensions of the packed product (HxWxD): 650 x 640 x 680 mm
 Control Panel Material: Stainless steel
 Door Material: Glass
 Net weight: 31.8 kg
 Usable volume of cavity: 66 l
 Cooking method: Hotair gentle, Hot Air, Hot air grilling, Full width variable grill
 Number of interior lights: 1
 Length electrical supply cord: 110.0 cm
 Interior Lights - cavity 1: 1
 Pull-out system: Accessory
 Included accessories: 1 x insert grid, 1 x combination grid, 1 x universal pan
 Broil Element Wattages cavity 1: 2350 W
 Energy efficiency rating: A
 Energy consumption per cycle forced air convection (2010/30/EC): 79 kWh/cycle
 Energy efficiency index (2010/30/EC): 95.2 %
 Connection rating: 2400 W
 Fuse protection: 13 A
 Voltage: 220-240 V
 Frequency: 60; 50 Hz
 Plug type: GB plug
 Energy input: Electric
 Required cutout/niche size for installation (in): x
 Dimensions of the packed product: 25.59 x 25.19 x 26.77
 Net weight: 70.000 lbs
 Gross weight: 75.000 lbs
 Length electrical supply cord: 110.0 cm
 Net weight: 31.8 kg



**Series 2, Built-in oven, 60 x 60 cm,
Stainless steel
HHF133BS0B**

The built-in oven with 3D hot air: achieve perfect baking and roasting results on up to three levels simultaneously.

Heating Functions

- Oven with 4 heating methods: - 3D hot air plus, - Hot air grilling, - Hotair gentle, - Full width variable grill
- Temperature range 50 °C - 275 °C
- Cavity volume: 66 L

Design

- Rotary control dials, Retractable
- Extra large capacity oven with grey enamel
- LED display control (red)
- Electronic clock
- straight bar handle

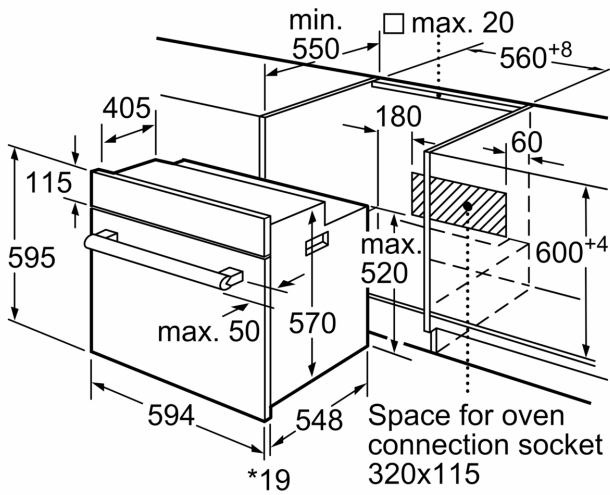
Comfort

- EcoLyse features: back panel
- Full glass inner door
- automatic start
- Halogen interior lighting
- Integral cooling fan
- Child lock
- 1 x universal pan, 1 x combination grid, 1 x insert grid

Technical Information

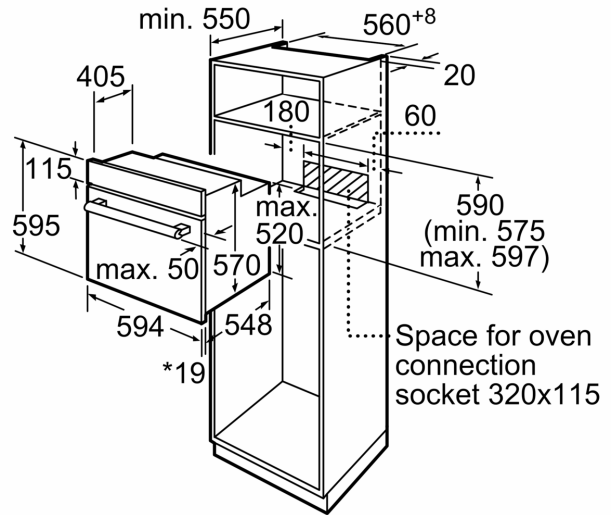
- Dimensions of the product (HxWxD mm) : 595 x 594 x 548
- Required niche size for installation (HxWxD mm): 575 - 597 x 560 - 568 x 550
- Length of mains cable: 110 cm
- Nominal voltage: 220 - 240 V
- Electrical connection rating: 2400 W
- "Please reference the built-in dimensions provided in the installation drawing"

**Series 2, Built-in oven, 60 x 60 cm,
Stainless steel
HHF133BS0B**



* 20 mm for metal fascias

measurements in mm



* 20 mm for metal fascias

measurements in mm



* 20 mm for metal fascias

Dimensions in mm