

**Series 8, Built-in oven, 60 x 60 cm,  
Black  
HBG7341B1B**



**The built-in oven with Digital Control Ring and TFT-touchdisplay. Assist function for meals, Air Fry, Home Connect for control via the App.**

- **Digital Control Ring:** the simple and innovative way to select oven settings.
- **TFT Touch Display:** easy control thanks to an innovative Digital Control Ring and TFT touchscreen.
- **Automatic Switch-off:** cooking process automatically stops as soon as the dish is done.
- **Oven Assistant with Voice Control:** easily set the right programme.
- **Recipe World:** delicious inspirations that match your taste.

2 x combination grid, 1 x universal pan

HEZ327000 Pizza stone, HEZ32WA00 Wireless food thermometer, HEZ530000 Half tray, HEZ531010 Baking tray, non-stick ceramic coated, HEZ532010 Universal pan, non-stick ceramic coated, HEZ538000 1fold telescopic rail, level independent, HEZ617000 Pizza pan, enamelled, HEZ629070 Air Fry & Grill tray, HEZ631070 Baking tray, enamelled, HEZ632070 Multipurpose pan, enamelled, HEZ633001 Lid for professional pan, enamelled, HEZ633070 Professional pan with grid, enamelled, HEZ633073 Professional pan, enamelled, HEZ634000 Baking and roasting grid, HEZ636000 Glass pan, HEZ638000 Full ext rails, level independent, HEZ660060 Strip, HEZ664000 Baking and roasting grid, steam, HEZ915003 Glass roasting dish, 5,4 L

Gross weight:	35.8 kg
Built-in / Free-standing:	Built-in
Integrated Cleaning system:	EcoClean Direct program, Hydrolytic
Required niche size for installation (HxWxD):	585-595 x 560-568 x 550 mm
Dimensions:	595x594x548 mm
Dimensions of the packed product (HxWxD):	670 x 670 x 680 mm
Control Panel Material:	Glass
Door Material:	Glass
Net weight:	33.3 kg
Usable volume of cavity:	71 l
Cooking method:	Defrost, Air fry, Full width grill, Hot air gentle, Hot Air, Half width grill, Conventional heat, Conventional heat gentle, Pizza setting, low temperature cooking, Bottom heat, Hot air grilling, pre-heating, warming
Number of interior lights:	1
Length electrical supply cord:	120.0 cm
Interior Lights - cavity 1:	1
Pull-out system:	Accessory
Included accessories:	2 x combination grid, 1 x universal pan
Broil Element Wattages cavity 1:	2800 W
Convection Element Wattages cavity 1:	2200 W
Energy efficiency rating:	A+
Energy consumption per cycle conventional (2010/30/EC):	0.87 kWh/cycle
Energy consumption per cycle forced air convection (2010/30/EC):	0.69 kWh/cycle
Energy efficiency index (2010/30/EC):	81.2 %
Connection rating:	3600 W
Fuse protection:	16 A
Voltage:	220-240 V
Frequency:	50; 60 Hz
Plug type:	no plug
Energy input:	Electric
Required cutout/niche size for installation (in):	x
Dimensions of the packed product:	26.37 x 26.37 x 26.77
Net weight:	73.000 lbs
Gross weight:	79.000 lbs
Length electrical supply cord:	120.0 cm
Net weight:	33.3 kg



## Series 8, Built-in oven, 60 x 60 cm, Black HBG7341B1B

**The built-in oven with Digital Control Ring and TFT-touchdisplay. Assist function for meals, Air Fry, Home Connect for control via the App.**

### Heating Functions

- Oven with 14 heating methods: - 3D hot air plus, - Conventional heat, - Hot air grilling, - Full width grill, - Half width grill, - Pizza setting, - Bottom heat, - Low temperature cooking, - Defrost setting, - Preheating, - Keep warm, - Hotair gentle, Conventional heat gentle, Air fry
- Heating methods only via Home Connect App: let rest, preheating
- Temperature range 30 °C - 300 °C
- Cavity volume: 71 l

### Hook-in racks / rails

- Number of shelf levels: 5 PC
- Large capacity oven with shelf supports

### Design

- Touch control
- Digital Control Ring
- Enamel cavity anthracite
- Extra large capacity oven

### Cleaning:

- Ecolyse features: back panel
- Cleaning aid

### Comfort

- Oven Assistant with Voice Control
- LED display control (red)
- Electronic clock
- Digital temperature display with proposal
- Actual temperature display - Heating-up indicator
- Door hinge: Bottom, SoftClosing, Soft opening
- Soft opening
- Supporting systems: Dish categories
- Air Fry Function
- Rapid heating-up
- LED light switch for oven illumination
- Integral cooling fan
- HomeConnect ready on WLAN

### Standard Accessories

- 2 x combination grid, 1 x universal pan

### Safety Functions:

- Maximum window temperature 40° C low door temperature
- Triple glazed CoolTouch door
- Child lock, Residual heat indicator, Automatic switch off, Start and Stop button, door contact switch

### Technical Information

- Length of mains cable: 120 cm

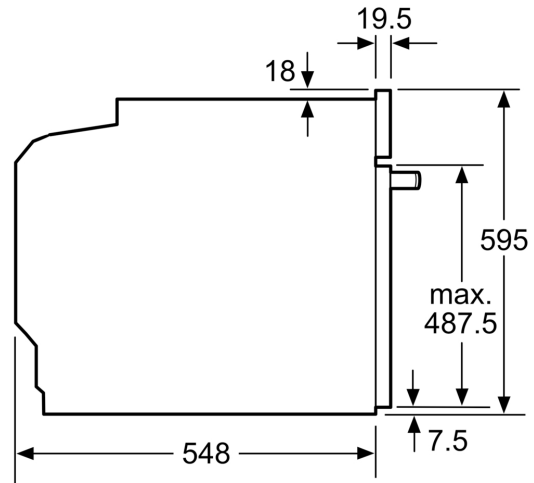
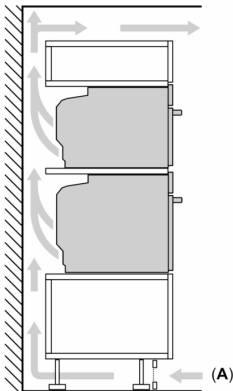
- Nominal voltage: 220 - 240 V
- Electrical connection rating: 3600 W
- Energy efficiency rating (acc. EU Nr. 65/2014): A+(at a range of energy efficiency classes from A+++ to D)
- Energy consumption per cycle in conventional mode:0.87 kWh
- Energy consumption per cycle in fan-forced convection mode:0.69 kWh
- Number of cavities: 1 Heat source: electrical Cavity volume:71 l

### Technical information:

- Dimensions of the product (HxWxD mm) : 595 x 594 x 548
- Required niche size for installation (HxWxD mm): 585 - 595 x 560 - 568 x 550
- "Please reference the built-in dimensions provided in the installation drawing"

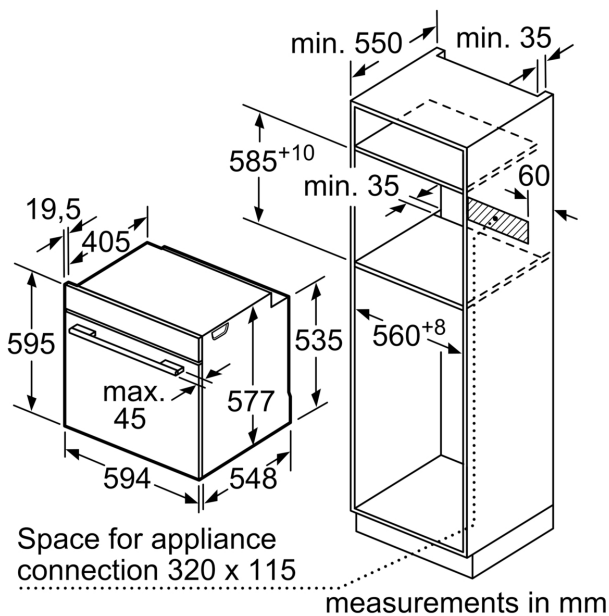
**Series 8, Built-in oven, 60 x 60 cm,  
Black  
HBG7341B1B**

Installing two appliances on top of each other  
other  
Air exchange



A: Air inlet  $\geq 200 \text{ cm}^2$

measurements in mm



If the appliance will be installed underneath a hob, the following worktop thicknesses (including substructure if necessary) must be taken into account.

Hob type	min. worktop thickness	
	fitted	flush
Induction hob	37 mm	38 mm
Full surface Induction hob	47 mm	48 mm
Gas hob	30 mm	38 mm
Electric hob	27 mm	30 mm

