

**Series 2, Built-in oven, 60 x 60 cm,
Black
HBF134EB1K**



1 x grill tray, 1 x combination grid, 1 x universal pan

HEZ429001 Air Fry & Grill tray, anthracite

The built-in oven with 3D hot air: achieve perfect baking and roasting results on up to three levels simultaneously.

- **3D HotAir:** even heat distribution for perfect results on up to three levels.
- **EcoClean Direct:** almost no cleaning is necessary thanks to a special coating of the rear wall that automatically absorbs grime.
- **Ideal for preparing frozen pizzas.**
- **LED-display control, red:** easy-to-use thanks to the time functions.
- **Pop-out controls:** for an easy to clean front.

Gross weight: 35.2 kg
 Built-in / Free-standing: Built-in
 Integrated Cleaning system: EcoClean Direct program
 Required niche size for installation (HxWxD): 575-597 x 560-568 x 550 mm
 Dimensions: 595x594x548 mm
 Dimensions of the packed product (HxWxD): 670x665x685 mm
 Control Panel Material: metal lacquered
 Door Material: Glass
 Net weight: 32.7 kg
 Usable volume of cavity: 66 l
 Cooking method: Hotair gentle, Hot Air, Top heat, Conventional heat, Pizza setting, Bottom heat, Hot air grilling, Full width variable grill
 Length electrical supply cord: 200 cm
 Pull-out system: Accessory
 Included accessories: 1 x grill tray, 1 x combination grid, 1 x universal pan
 Broil Element Wattages cavity 1: 2100 W
 Energy efficiency rating: A
 Energy consumption per cycle forced air convection (2010/30/EC): 79 kWh/cycle
 Energy efficiency index (2010/30/EC): 95.2 %
 Connection rating: 2300 W
 Fuse protection: 13 A
 Voltage: 220-240 V
 Frequency: 50-60 Hz
 Plug type: GB plug
 Energy input: Electric
 Required cutout/niche size for installation (in): x
 Dimensions of the packed product: 26.37 x 26.18 x 26.96
 Net weight: 72.000 lbs
 Gross weight: 78.000 lbs



**Series 2, Built-in oven, 60 x 60 cm,
Black
HBF134EB1K**

The built-in oven with 3D hot air: achieve perfect baking and roasting results on up to three levels simultaneously.

Heating Functions

- Oven with 7 heating methods: - 3D hot air plus, - Conventional heat, - Hot air grilling, - Pizza setting, - Bottom heat, - Hotair gentle, - Full width variable grill
- Temperature range 50 °C - 270 °C
- Cavity volume: 66 L

Hook-in racks / rails

- Number of shelf levels: 5 PC
- Large capacity oven with shelf supports

Design

- Rotary control dials, Retractable
- Enamel cavity anthracite
- Extra large capacity oven

Cleaning:

- Ecolyse features: back panel
- Full glass inner door

Comfort

- LED display control (red)
- Electronic clock
- straight bar handle
- Integral cooling fan

Standard Accessories

- 1 x combination grid, 1 x grill tray, 1 x universal pan

Safety Functions:

- Triple glazed CoolTouch door

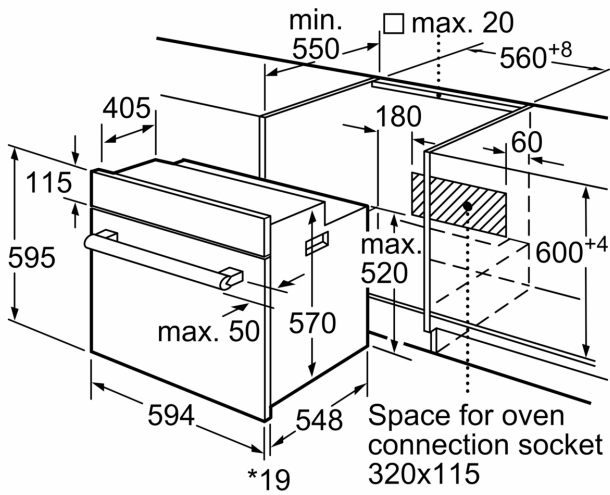
Technical Information

- Length of mains cable: 200 cm
- Nominal voltage: 220 - 240 V
- Electrical connection rating: 2300 W

Technical information:

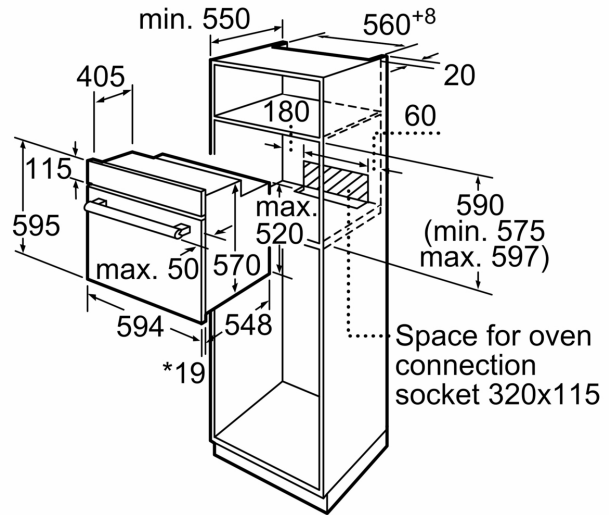
- Dimensions of the product (HxWxD mm) : 595 x 594 x 548
- Required niche size for installation (HxWxD mm): 575 - 597 x 560 - 568 x 550
- "Please reference the built-in dimensions provided in the installation drawing"

**Series 2, Built-in oven, 60 x 60 cm,
Black
HBF134EB1K**



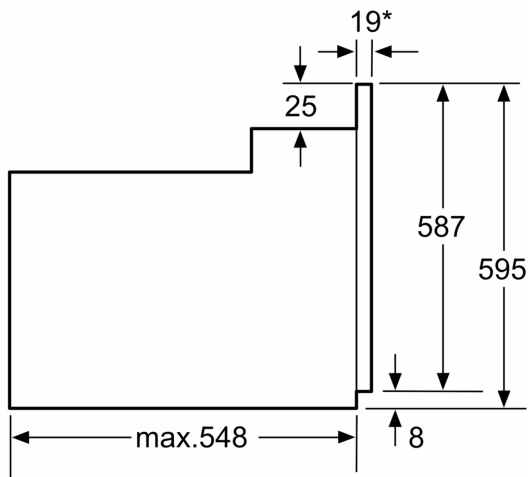
* 20 mm for metal fascias

measurements in mm



* 20 mm for metal fascias

measurements in mm



* 20 mm for metal fascias

Dimensions in mm