

**Series 2, Built-in oven, 60 x 60 cm,  
Stainless steel  
HBF114BR0K**



**The built-in oven with 3D hot air: achieve perfect baking and roasting results on up to three levels simultaneously.**

- **LED-display control, red:** easy-to-use thanks to the time functions.

1 x combination grid, 1 x universal pan

HEZ317000	Pizza pan, enamelled
HEZ327000	Pizza stone
HEZ429001	Air Fry & Grill tray, anthracite
HEZ431002	Baking tray, enamelled
HEZ438201	2 level telescopic shelf rails
HEZ438301	3 level telescopic shelf rails
HEZ625071	Grill tray, anthracite
HEZ915003	Glass roasting dish, 5,4 L

Gross weight:	34.2 kg
Built-in / Free-standing:	Built-in
Integrated Cleaning system:	No
Min. required niche size for installation (HxWxD):	575-597 x 560-568 x 550 mm
Dimensions:	595 x 594 x 548 mm
Dimensions of the packed product (HxWxD):	663 x 654 x 676 mm
Control Panel Material:	Stainless steel
Door Material:	Glass
Net weight:	32.1 kg
Usable volume of cavity:	66 l
Cooking method:	Hotair gentle, Hot Air, Conventional heat, Pizza setting, Bottom heat, Hot air grilling, Full width variable grill
Number of interior lights:	1
Length electrical supply cord:	180.0 cm
Interior Lights - cavity 1:	1
Pull-out system:	Accessory
Included accessories:	1 x combination grid, 1 x universal pan
Broil Element Wattages cavity 1:	2800 W
Energy efficiency rating:	A
Energy consumption per cycle conventional (2010/30/EC):	0.98 kWh/cycle
Energy consumption per cycle forced air convection (2010/30/EC):	0.79 kWh/cycle
Energy efficiency index (2010/30/EC):	95.2 %
Connection rating:	2950 W
Fuse protection:	13 A
Voltage:	220-240 V
Frequency:	50; 60 Hz
Plug type:	GB plug
Energy input:	Electric
Required cutout/niche size for installation (in):	X
Dimensions of the packed product:	26.10 x 25.74 x 26.61
Net weight:	71.000 lbs
Gross weight:	75.000 lbs
Length electrical supply cord:	180.0 cm
Net weight:	32.1 kg



**Series 2, Built-in oven, 60 x 60 cm,  
Stainless steel  
HBF114BR0K**

**The built-in oven with 3D hot air: achieve perfect baking and roasting results on up to three levels simultaneously.**

---

**Heating Modes**

- Oven with 7 heating modes:
- Hot air grilling Full width variable grill Bottom heat Conventional heat 3D Hot air Hotair gentle Pizza setting

**Design**

- Rotary control dials, Round knobs
- straight bar handle
- Cavity inner surface: enamel anthracite

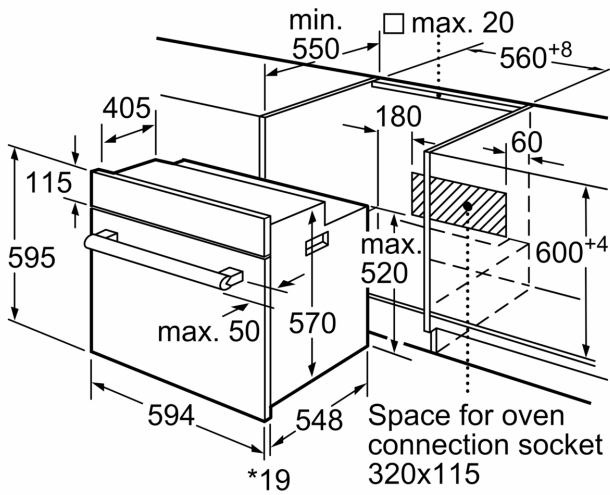
**Comfort**

- Cavity volume: 66 L
- 45 °C
- Temperature range 50 °C - 275 °C
- childproof lock
- electronic clock
- automatic start

**Technical Information**

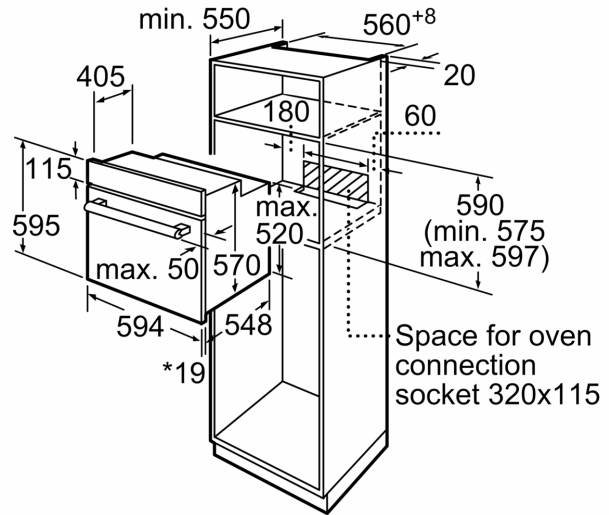
- Dimensions of the product (HxWxD mm) : 595 x 594 x 548
- Required niche size for installation (HxWxD mm) : 575-597 x 560-568 x 550
- Electrical connection rating: 2950 W
- Length of main cable: 180 cm
- Plug type: GB plug

**Series 2, Built-in oven, 60 x 60 cm,  
Stainless steel  
HBF114BR0K**



\* 20 mm for metal fascias

measurements in mm



\* 20 mm for metal fascias

measurements in mm



\* 20 mm for metal fascias

Dimensions in mm