

**Series 6, Built-in oven, 60 x 60 cm,  
Black  
HBA5360B0K**



1 x combination grid, 1 x universal pan

HEZ327000 Pizza stone, HEZ32WA00 Wireless food thermometer, HEZ531010 Baking tray, non-stick ceramic coated, HEZ532010 Universal pan, non-stick ceramic coated, HEZ538000 1fold telescopic rail, level independent, HEZ617000 Pizza pan, enamelled, HEZ629070 Air Fry & Grill tray, HEZ631070 Baking tray, enamelled, HEZ632070 Multipurpose pan, enamelled, HEZ634000 Baking and roasting grid, HEZ638000 Full ext rails, level independent, HEZ660050 Cover Strip, HEZ664000 Baking and roasting grid, steam, HEZ915003 Glass roasting dish, 5,4 L

**The built-in oven with AutoPilot:  
automatically prepares perfect dishes.**

- **AutoPilot 10:** every dish is a perfect success thanks to 10 pre-set automatic programmes.
- **Pop-out controls:** for an easy to clean front.
- **EcoClean Direct:** almost no cleaning is necessary thanks to a special coating of the rear wall that automatically absorbs grime.
- **1-stage telescopic rails, level independent:** can be placed in any baking level.
- **Ideal for preparing frozen pizzas.**

Gross weight: ..... 36.4 kg  
 Built-in / Free-standing: ..... Built-in  
 Integrated Cleaning system: ..... EcoClean Direct program, Hydrolytic  
 Required niche size for installation (HxWxD): .....585-595 x 560-568 x 550 mm  
 Dimensions: ..... 595x594x548 mm  
 Dimensions of the packed product (HxWxD): ..... 675 x 660 x 690 mm  
 Control Panel Material: ..... Glass  
 Door Material: ..... Glass  
 Net weight: .....34.4 kg  
 Usable volume of cavity: ..... 71 l  
 Cooking method: Full width grill, Hotair gentle, Hot Air, Conventional heat, Pizza setting, Bottom heat, Hot air grilling  
 Length electrical supply cord: ..... 120 cm  
 Interior Lights - cavity 1: ..... 1  
 Pull-out system: . Level-independent clip rails - for safe insertion and removal of accessories on any level  
 Included accessories: ..... 1 x combination grid, 1 x universal pan  
 Broil Element Wattages cavity 1: .....2700 W  
 Convection Element Wattages cavity 1: .....2200 W  
 Energy efficiency rating: .....A  
 Energy consumption per cycle conventional (2010/30/EC): .....0.97 kWh/cycle  
 Energy consumption per cycle forced air convection (2010/30/EQ):81 kWh/cycle  
 Energy efficiency index (2010/30/EC): ..... 95.3 %  
 Connection rating: ..... 3400 W  
 Fuse protection: ..... 16 A  
 Voltage: ..... 220-240 V  
 Frequency: ..... 60; 50 Hz  
 Plug type: .....no plug  
 Energy input: .....Electric  
 Required cutout/niche size for installation (in): .....x  
 Dimensions of the packed product: ..... 26.57 x 25.98 x 27.16  
 Net weight: ..... 76.000 lbs  
 Gross weight: ..... 80.000 lbs



## **Series 6, Built-in oven, 60 x 60 cm, Black HBA5360B0K**

- Number of shelf levels: 5 PC

**Cleaning:**

**Safety Functions:**

### **The built-in oven with AutoPilot: automatically prepares perfect dishes.**

---

#### **Heating Functions**

- Cavity volume: 71 l

#### **Heating Modes**

#### **Design**

#### **Design**

- Extra large capacity oven with grey enamel
- Electronic clock
- straight bar handle

#### **Comfort**

#### **Comfort**

- EcoLyse features: back panel
- Detend function, 1 Clip-on rail
- Supporting systems: Programs
- Rapid heating-up
- Integral cooling fan

#### **Standard Accessories**

#### **Technical Information**

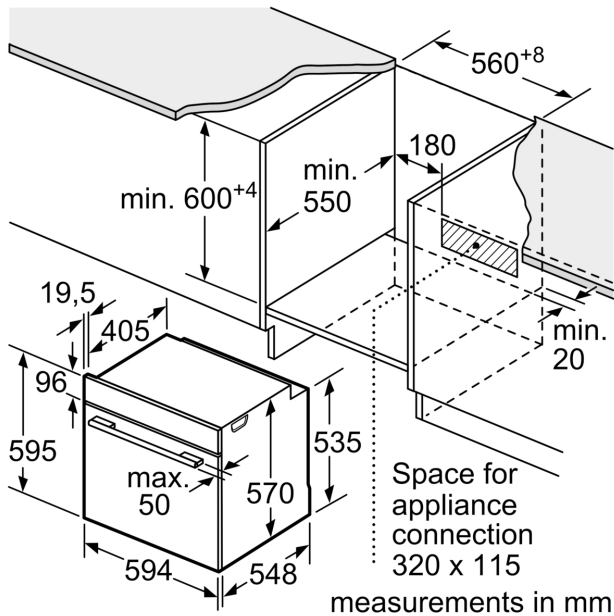
- Length of mains cable: 120 cm
- Nominal voltage: 220 - 240 V
- Electrical connection rating: 3400 W
- Dimensions of the product (HxWxD mm) : 595 x 594 x 548
- Required niche size for installation (HxWxD mm): 585 - 595 x 560 - 568 x 550
- "Please reference the built-in dimensions provided in the installation drawing"
- We recommend you to choose complementary products within SER6, in order to assure an optimal design combination of your Built-In appliances.

#### **Hook-in racks / rails**

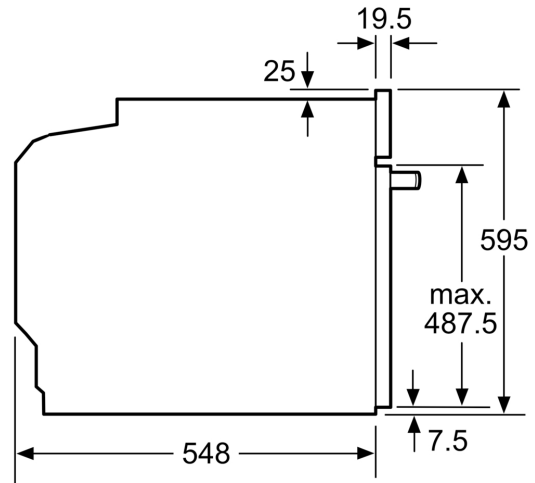
- 1 x combination grid, 1 x universal pan
- Energy efficiency rating (acc. EU Nr. 65/2014): A(at a range of energy efficiency classes from A+++ to D)
- Energy consumption per cycle in conventional mode:0.97 kWh
- Energy consumption per cycle in fan-forced convection mode:0.81 kWh
- Number of cavities: 1 Heat source: electrical Cavity volume:71 l
- Child lock, Residual heat indicator
- - Automatic programmes, 10
- - Heating-up indicator
- LED display control (red)
- Rotary control dials, Retractable
- Oven with 7 heating methods: - 3D hot air plus, - Conventional heat, - Hot air grilling, - Full width grill, - Pizza setting, - Bottom heat, - Hotair gentle
- Temperature range 50 °C - 275 °C

#### **Technical information:**

**Series 6, Built-in oven, 60 x 60 cm,  
Black  
HBA5360B0K**

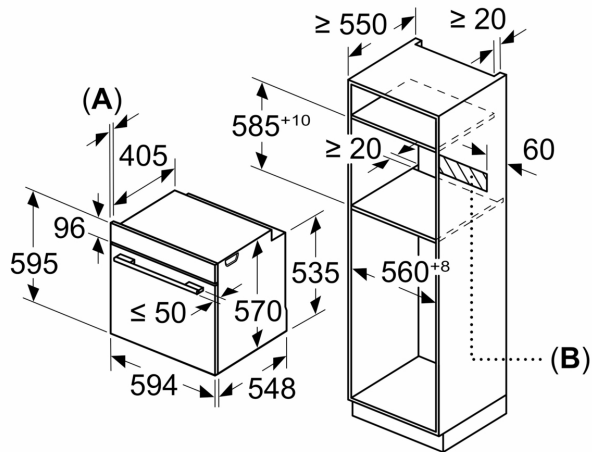


measurements in mm



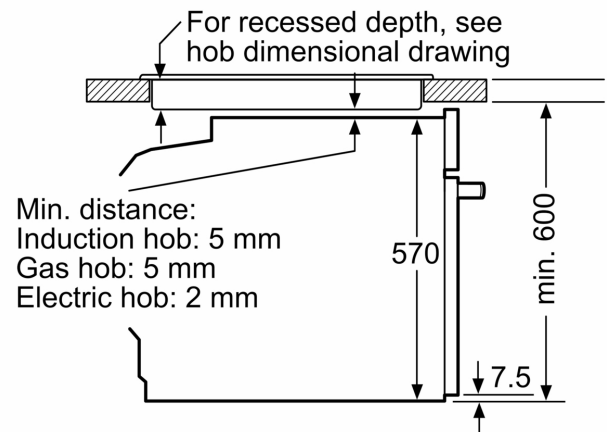
measurements in mm

Measurements in mm



**A:** 19.5 mm  
**B:** Space for appliance connection 320 x 115 mm

Installation with a hob.



Min. distance:  
Induction hob: 5 mm  
Gas hob: 5 mm  
Electric hob: 2 mm

measurements in mm