

**Series 8, Wall-mounted cooker hood,
90 cm, clear glass black printed
DWK98PR60B**



**Inclined hood: optimal for keeping an eye
on your pots and pans.**

- **PerfectAir sensor:** enjoy quieter, odour-free cooking.
- **LED Illumination:** The energy-saving lighting provides white and good lighting for the hob area.
- **Intensive speed setting:** Removes strong kitchen odours quickly and effectively

- DWZ0AX5L0 Chimney extension 1500 mm
- DWZ1AK1B6 Clean Air Plus odor filter (replacement)
- DWZ1AK1I6 Clean Air Plus recirculation kit
- DWZ1AK1V6 Clean Air Plus recirc. kit (chimless)
- DZZ0XX0P0 Long Life odor filter (replacement)
- DZZ1XX1B6 Clean Air Plus odor filter (replacement)
- DWZ1AX5C6 Clean Air Plus recirc. kit external
- DWZ1AX6E1 Chimney standard black
- DWZ0AK0S0 Long Life recirculation kit
- DWZ0AX5K0 Chimney extension 1000 mm
- DWZ0AK0R0 Long Life recirculation kit (chimless)

Typology:Wall-mounted
 Length electrical supply cord: 130.0 cm
 Height of product, without chimney: 323 mm
 Net weight:21.6 kg
 Type of control:Electronic
 Number of speed settings:3-stage + 2 intensive
 Max. air extraction:468 m³/h
 Boost position output recirculating:460 m³/h
 Max. air recirculation: 378 m³/h
 Boost position air extraction: 837 m³/h
 Number of lights:2
 Noise level:55 dB(A) re 1 pW
 Diameter of air outlet: 120 / 150 mm
 Grease filter material:Washable aluminium
 Odour filter: No
 Operating Mode:Convertible
 Optional accessories: DWZ0AX5L0, DWZ1AK1B6, DWZ1AK1I6,
 DWZ1AK1V6, DZZ0XX0P0, DZZ1XX1B6, DWZ1AX5C6, DWZ1AX6E1,
 DWZ0AK0S0, DWZ0AX5K0, DWZ0AK0R0
 Type of lamps used: LED
 Grease filter type:Kassette
 Connection rating: 166 W
 Fuse protection:10 A
 Voltage: 220-240 V
 Frequency: 50; 60 Hz
 Plug type: GB plug
 Installation typology:Wall-mounted
 Material body:Glass, Lacquered
 Plug type: GB plug
 Dimensions of the product, with chimney (if exists) (in):x x
 Dimensions of the packed product: 27.16 x 29.13 x 40.94
 Net weight:48.000 lbs
 Gross weight: 67.000 lbs
 Motor location: Integrated motor in hood body
 No-return airflow flap: No
 Length electrical supply cord: 130.0 cm
 Dimensions of the product, with chimney (if exists):480 x 894.0 x
 548.0 mm
 Dimensions of the packed product (HxWxD): ... 690 x 740 x 1040 mm
 Net weight:21.6 kg
 Gross weight: 30.3 kg
 Delay Shut off modes: 10 min



Series 8, Wall-mounted cooker hood, 90 cm, clear glass black printed DWK98PR60B

**Inclined hood: optimal for keeping an eye
on your pots and pans.**

Performance

- 3 fan speeds setting plus 2 intensive
- Max. extraction rate according to EN 61591: 837 m³/h

Design

- 89 cm Chimney hood, black

Comfort:

- Automatic run on for 10 min.
- Dimmer function
- Twin channel high performance fan motor
- Efficient BLDC-technology
- Light Intensity: 519 lux
- Colour Temperature: 3500 K
- Rim ventilation
- Rim extraction
- Additional noise insulation
- Removable metal grease filter, dishwasher safe

Technical information:

- Wall mounted hood
- Suitable for ducted or recirculating operation
- Dimensions recirculating with CleanAir module (HxWxD):
 - 1147 x 894 x 548mm - mounting with outer chimney
 - 1217-1487 x 894 x 548 mm - mounting with telescopic chimney
- Dimensions exhaust air (HxWxD mm): 957-1227 x 894 x 548
- Diameter pipe Ø 150 mm (Ø 120 mm enclosed)
- Electrical connection rating: 166 W

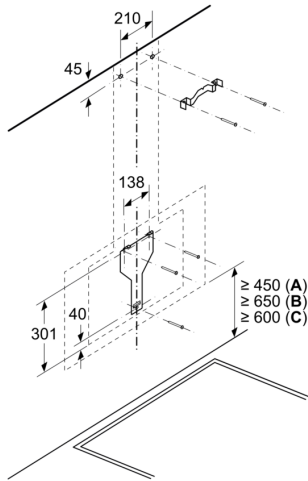
Remote Monitoring and Control (only in countries where Home Connect service is available)

- Remote Monitoring and Control for connected home appliances and operation via smartphone or tablet (only in countries where Home Connect service is available)
- The Home Connect functionality can be extended by integrating numerous applications from external cooperation partners (partnerships)
- Voice Control enabled via popular voice assistants (only in countries where this service is available)

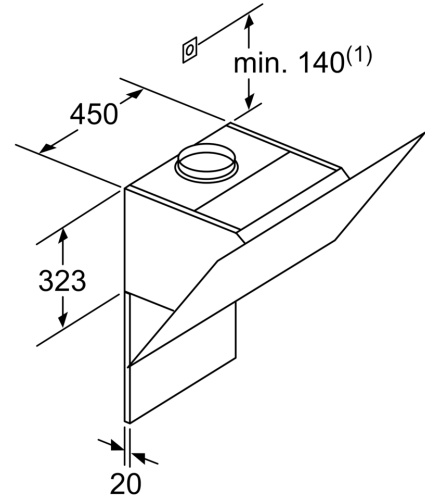
* In accordance with the EU-Regulation No 65/2014

**Series 8, Wall-mounted cooker hood,
90 cm, clear glass black printed
DWK98PR60B**

Measurements in mm



- A: Electric
- B: Gas - from upper edge of pan support
- C: Electric - for Australia and New Zealand

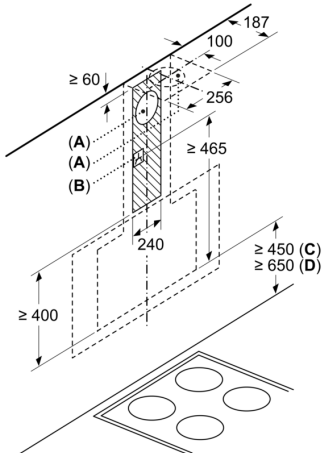


(1) Position of socket

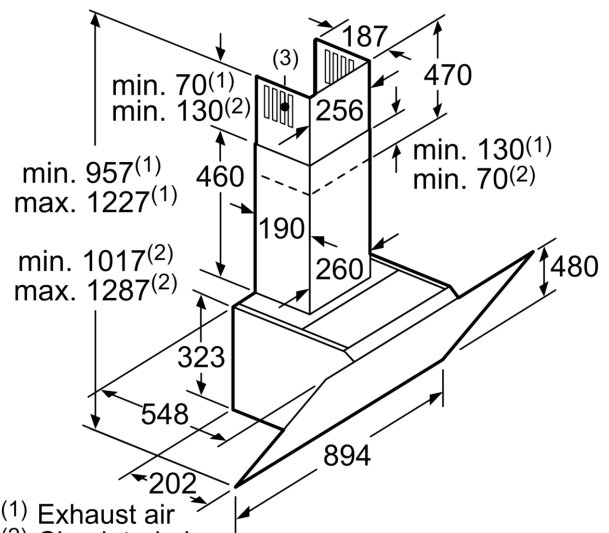
Note the maximum thickness of the back panel.

measurements in mm

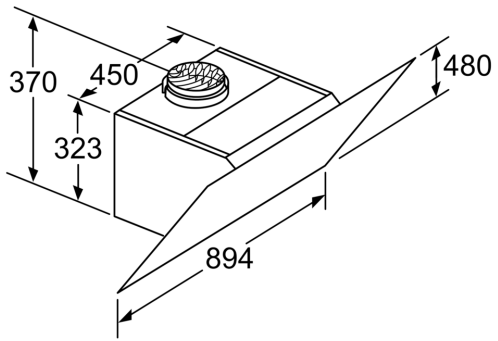
Measurements in mm



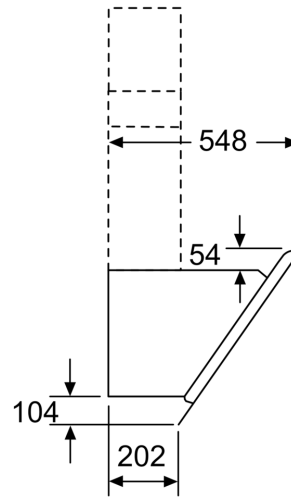
- A: Exhaust air
 - B: Socket
- From upper edge of pan support
- C: Electric
 - D: Gas



- (1) Exhaust air
 - (2) Circulated air
 - (3) Air outlet – slot for exhaust air to be mounted facing down
- measurements in mm



Appliance in circulated air mode
without duct
Circulated air set required
measurements in mm



measurements in mm