

**Series 4, Wall-mounted cooker hood,
90 cm, Stainless steel
DWBM98G50B**



**The wall-mounted chimney hood: mount it
on the wall, giving you complete freedom
in your kitchen planning.**

- **LED Illumination:** The energy-saving lighting provides white and good lighting for the hob area.
- **Ducted or Non-ducted Options**
- **Absorbs odors with Charcoal Replacement Filters (Available for sale)**
- **LED-Illumination:** The energy-saving lighting provides a clear and bright illumination for the hob area.

| | |
|---|----------------------------------|
| Typology: | Wall-mounted |
| Length electrical supply cord: | 180.0 cm |
| Height of the chimney: | 390-780 mm |
| Height of product, without chimney: | 60 mm |
| Net weight: | 15.6 kg |
| Type of control: | Electronic |
| Number of speed settings: | 3 |
| Max. air extraction: | 800 m ³ /h |
| Max. air recirculation: | 650 m ³ /h |
| Number of lights: | 2 |
| Odour filter: | No |
| Operating Mode: | Convertible |
| Total power of the lamps: | 3 W |
| Clean filter reminders: | No |
| Connection rating: | 296 W |
| Voltage: | 220-240 V |
| Frequency: | 50 Hz |
| Plug type: | India plug (6 Ampere) |
| Installation typology: | Wall-mounted |
| Material body: | Stainless steel |
| Plug type: | India plug (6 Ampere) |
| Dimensions of the product, with chimney (if exists) (in): | x x |
| Dimensions of the packed product: | 22.44 x 15.15 x 37.79 |
| Net weight: | 34.000 lbs |
| Gross weight: | 39.000 lbs |
| Motor location: | Integrated motor in hood chimney |
| No-return airflow flap: | Yes |
| Length electrical supply cord: | 180.0 cm |
| Dimensions of the product, with chimney (if exists): 450-840 x 900.0 x 505.0 mm | |
| Dimensions of the packed product (HxWxD): | 570 x 385 x 960 mm |
| Net weight: | 15.6 kg |
| Gross weight: | 17.5 kg |



**Series 4, Wall-mounted cooker hood,
90 cm, Stainless steel
DWBM98G50B**

**The wall-mounted chimney hood: mount it
on the wall, giving you complete freedom
in your kitchen planning.**

Performance

- Extraction rate according to EN 61591 max. 800 m³/h
- 3 speeds

Design

- Wall mounted hood
- Stainless steel material
- 90 cm wide
- Box design
- TouchControl

Comfort

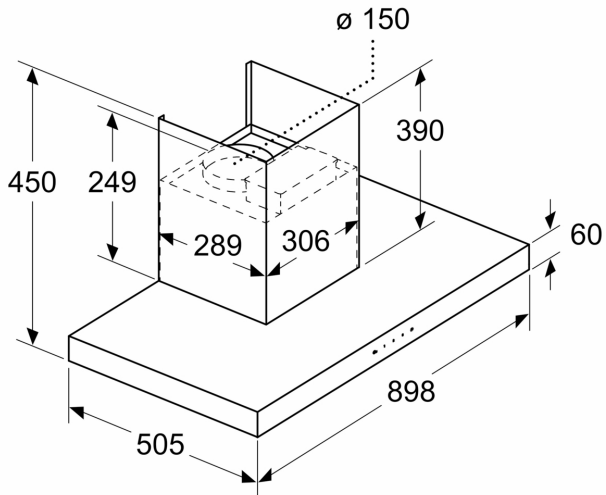
- LED Lighting
- 3 Metal grease filter

Technical information:

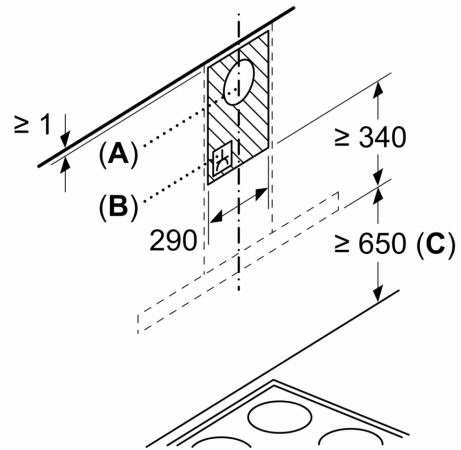
- Suitable for ducted or recirculating operation
- Dimensions recirculating (HxWxD mm): 450-840 x 900 x 505
- Electrical cable length 1.8 m
- Voltage: 220 - 240 V
- Plug type: India plug (6 Ampere)

**Series 4, Wall-mounted cooker hood,
90 cm, Stainless steel
DWBM98G50B**

Measurements in mm

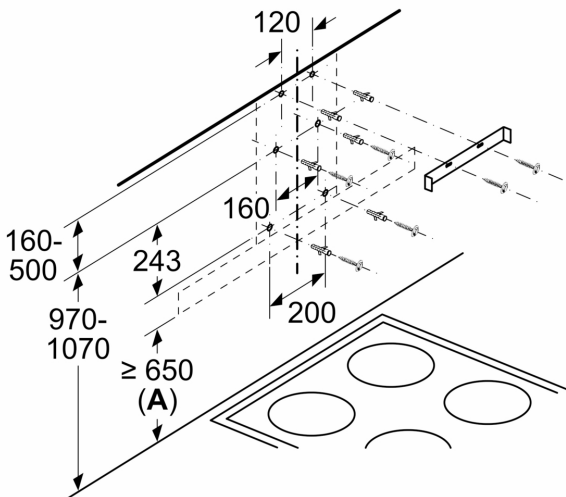


Measurements in mm



- A: Exhaust-air outlet
- B: Socket
- C: From upper edge of pan support

Measurements in mm



- A: From upper edge of pan support