

**Series 2, Telescopic cooker hood, 60 cm, Black
DFT63CA61B**



DWZ1IX1G9 Wall bracket
DWZ6IT0A0 Active carbon filter

The telescopic cooker hood that disappears into your upper cabinet, giving you a sleek kitchen front.

- **3-Speed Power Level Options To Suit Your Cooking Style And Recipes**
- **Ducted or Non-ducted Options**
- **LED-Illumination: The energy-saving lighting provides a clear and bright illumination for the hob area.**

Typology: Pull-out
 Length electrical supply cord: 150.0 cm
 Required niche size for installation (HxWxD): ... 135mm x 598.0mm x 300mm mm
 Net weight:6.1 kg
 Type of control:mechanical
 Number of speed settings: 3
 Max. air extraction: 310 m³/h
 Max. air recirculation: 220 m³/h
 Number of lights: 2
 Noise level:67 dB(A) re 1pW
 Diameter of air outlet: 120 mm
 Grease filter material:Washable aluminium
 Odour filter: No
 Operating Mode:Convertible
 Optional accessories:DWZ1IX1G9, DWZ6IT0A0
 Total power of the lamps: 8 W
 Grease filter type:Kassette
 Clean filter reminders:No
 Connection rating: 181 W
 Voltage: 220-240 V
 Frequency: 50 Hz
 Plug type: GB plug
 Installation typology: Built-in
 Material body: Lacquered
 Plug type: GB plug
 Dimensions of the product, with chimney (if exists) (in):x x
 Dimensions of the packed product: 11.41 x 28.74 x 23.22
 Net weight: 13.000 lbs
 Gross weight: 23.000 lbs
 Motor location: Integrated motor in hood body
 No-return airflow flap: Yes
 Length electrical supply cord: 150.0 cm
 Dimensions of the product, with chimney (if exists):175 x 598.0 x 300.0 mm
 Dimensions of the packed product (HxWxD): 290 x 730 x 590 mm
 Net weight:6.1 kg
 Gross weight: 10.3 kg



4 242005 278589

Series 2, Telescopic cooker hood, 60 cm, Black DFT63CA61B

The telescopic cooker hood that disappears into your upper cabinet, giving you a sleek kitchen front.

Performance

- Noise max. Normal Level: 67 dB*
- 3 fan speeds

Design

Comfort

- Removable metal grease filter, dishwasher safe
- Energy Efficiency Class: D

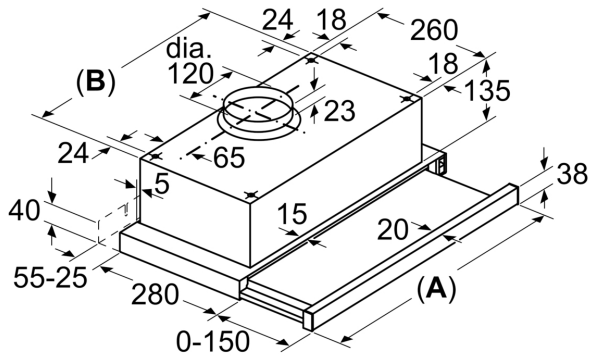
Technical information:

- Dimensions exhaust air (HxWxD mm): 175-175 x 598 x 300
- Dimensions recirculating (HxWxD mm): 175-175 x 598 x 300
- Suitable for ducted or re-circulated extraction
- Plug type: GB plug
- Diameter pipe \varnothing 120 mm (\varnothing 120 mm enclosed)
- DFT63CA61B black
- Electrical connection rating: 181 W
- Single motor
- 60 cm Slimline hood
- 60 cm Telescopic Hood Hood, Silver metallic
- Handle strip white
- Max. noise level according to EN 60704-3 and EN 60704-2-13: 67 dB(A) re 1 pW (48 dB(A) re 20 μ Pa sound pressure)
- Extraction rate according to EN 61591 max. 310 m³/h
- Light Intensity: 100 lux
- Colour Temperature: 3000 K
- Blower Efficiency Class: E*
- Lighting Efficiency Class: D*
- Grease Filtering Efficiency Class: C*

* In accordance with the EU-Regulation No 65/2014

**Series 2, Telescopic cooker hood, 60
cm, Black
DFT63CA61B**

measurements in mm



Hood Type	A	B	Hood Type	A	B
450	448	348	700	698	598
500	498	398	800	798	698
550	548	448	900	898	798
600	598	498			