

**Series 8, Telescopic cooker hood, 90 cm, Stainless steel  
DFS098K54**



DSZ4920	Installation kit for 90cm wide wall unit
DSZ4961	Lowering frame
DWZ0IT0P0	Long Life odor filter (replacement)
DWZ1IT1D1	Long Life recirculation kit external
DWZ1IX1B6	Clean Air Plus odor filter (replacement)
DWZ1IX1C6	Clean Air Plus recirc. kit external
DWZ2IT1B4	Clean Air Standard odor filter (repl.)
DWZ2IT1I4	Clean Air Standard recirculation kit

**Telescopic cooker hood: barely visible integrated in the wall unit, this ensures a clear kitchen design.**

- **EcoSilence Drive:** the powerful, energy-saving drive for hoods.
- **LED Illumination:** The energy-saving lighting provides white and good lighting for the hob area.
- **Intensive speed setting:** Removes strong kitchen odours quickly and effectively

Typology: ..... Pull-out  
 Length electrical supply cord: ..... 175.0 cm  
 Required niche size for installation (HxWxD): ... 337mm x 524.0mm x 290mm mm  
 Net weight: ..... 14.4 kg  
 Type of control: .....Electronic  
 Number of speed settings: ..... 3-stage + 2 intensive  
 Max. air extraction: ..... 412 m<sup>3</sup>/h  
 Boost position output recirculating: ..... 746 m<sup>3</sup>/h  
 Max. air recirculation: ..... 392 m<sup>3</sup>/h  
 Boost position air extraction: ..... 867 m<sup>3</sup>/h  
 Number of lights: ..... 3  
 Noise level: ..... 52 dB(A) re 1pW  
 Diameter of air outlet: ..... 120 / 150 mm  
 Grease filter material: ..... Washable stainless steel  
 Odour filter: ..... No  
 Operating Mode: .....Convertible  
 Optional accessories: DSZ4920, DSZ4961, DWZ0IT0P0, DWZ1IT1D1, DWZ1IX1B6, DWZ1IX1C6, DWZ2IT1B4, DWZ2IT1I4  
 Type of lamps used: ..... LED  
 Total power of the lamps: ..... 6 W  
 Grease filter type: .....Kassette  
 Clean filter reminders: .....Yes  
 Connection rating: ..... 196 W  
 Fuse protection: ..... 10 A  
 Voltage: ..... 220-240 V  
 Frequency: ..... 50; 60 Hz  
 Plug type: ..... Gardy plug w/ earthing  
 Installation typology: ..... Built-in  
 Material body: ..... Stainless steel  
 Plug type: ..... Gardy plug w/ earthing  
 Dimensions of the product, with chimney (if exists) (in): .....x x  
 Dimensions of the packed product: ..... 15.74 x 37.00 x 19.29  
 Net weight: ..... 32.000 lbs  
 Gross weight: ..... 39.000 lbs  
 Motor location: ..... Integrated motor in hood body  
 No-return airflow flap: ..... No  
 Length electrical supply cord: ..... 175.0 cm  
 Dimensions of the product, with chimney (if exists): .....378 x 898.0 x 290.0 mm  
 Dimensions of the packed product (HxWxD): ..... 400 x 940 x 490 mm  
 Net weight: ..... 14.4 kg  
 Gross weight: ..... 17.6 kg



## **Series 8, Telescopic cooker hood, 90 cm, Stainless steel DFS098K54**

**Telescopic cooker hood: barely visible integrated in the wall unit, this ensures a clear kitchen design.**

- 90 cm wide
- 90 cm Slimline hood, Stainless Steel
- Cupboard 60 or 90 cm
- Suitable for ducted or recirculating operation
- Recirc. kit or clean air kit

### **Design**

#### **Comfort**

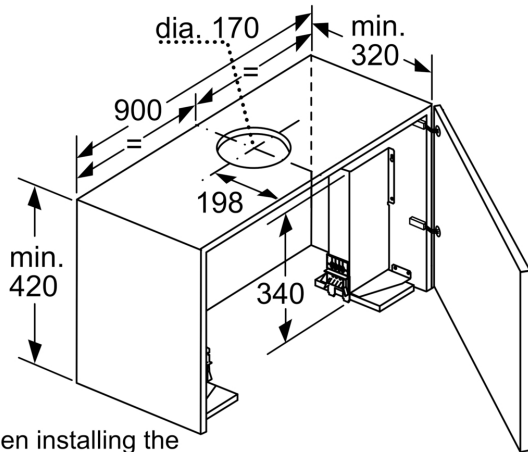
- electronic controls via TouchControl with lightline
- electronic controls
- TouchControl
- 3 removable metal grease filter
- TouchControl for extractor speeds and light
- 3 fan speeds setting plus 2 intensive
- Automatic intensive revert after 6 min
- Automatic run on for 10 min.
- air quality sensor
- 3 x 1.5W LED
- Dimmer function
- softLight
- Colour Temperature: 3500 K
- Light Intensity: 355 lux
- Removable metal grease filter, dishwasher safe
- Saturation indicator for metal and charcoal filter

#### **Performance**

- Max. extraction rate according to EN 61591: 867 m<sup>3</sup>/h
- 3 removable metal grease filter
- Extraction rate according to EN 61591 max. 867 m<sup>3</sup>/h
- Noise max. Normal Level: 52 dB\*
- 1 dual inlet vertical, Efficient BLDC-technology
- Efficient BLDC-technology
- Telescopic comfort installat.
- Dimensions of the product, with chimney (if exists) (HxWxD mm): 378 x 898 x 290
- Required niche size for installation (HxWxD mm): 337 x 524 x 290
- Diameter pipe Ø 150 mm (Ø 120 mm enclosed)
- Electrical cable length 1.75 m
- Energy Efficiency Class: A
- Blower Efficiency Class: A\*
- Lighting Efficiency Class: A\*
- Grease Filtering Efficiency Class: B\*
- Electrical connection rating: 196 W

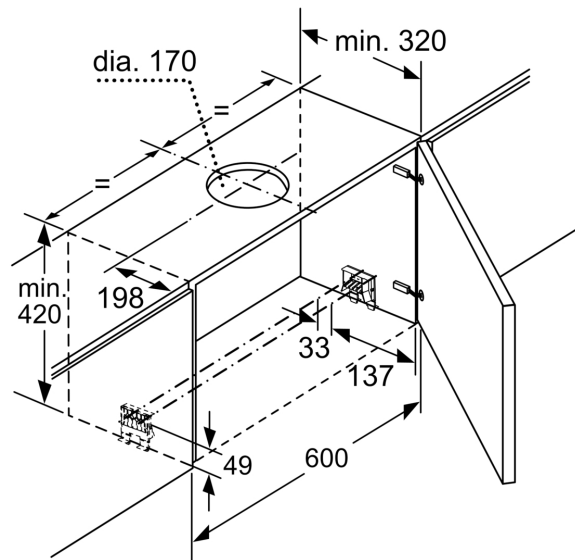
\* In accordance with the EU-Regulation No 65/2014

**Series 8, Telescopic cooker hood, 90 cm, Stainless steel  
DFS098K54**

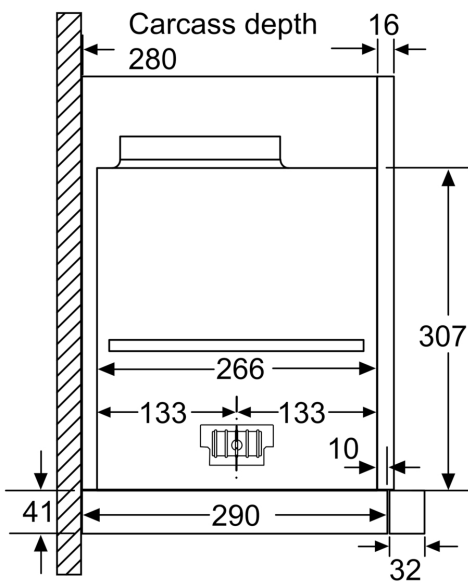


When installing the 90 cm telescopic hood in a 90 cm wide wall-hanging cupboard, the mounting kit is required. The two mounting brackets are screwed onto the right and left of the kitchen unit. Installation in accordance with template.

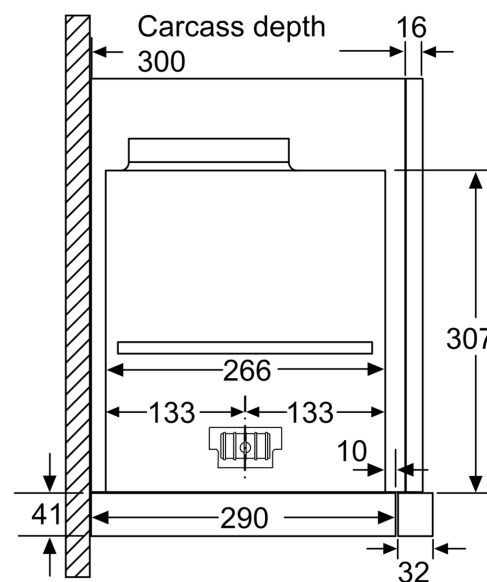
measurements in mm



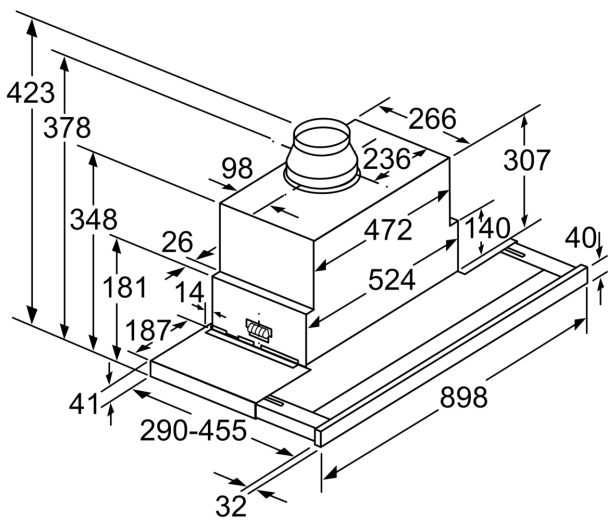
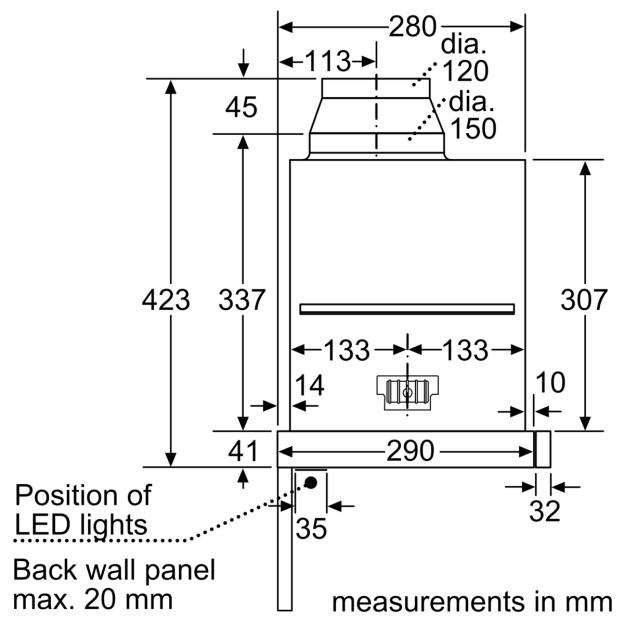
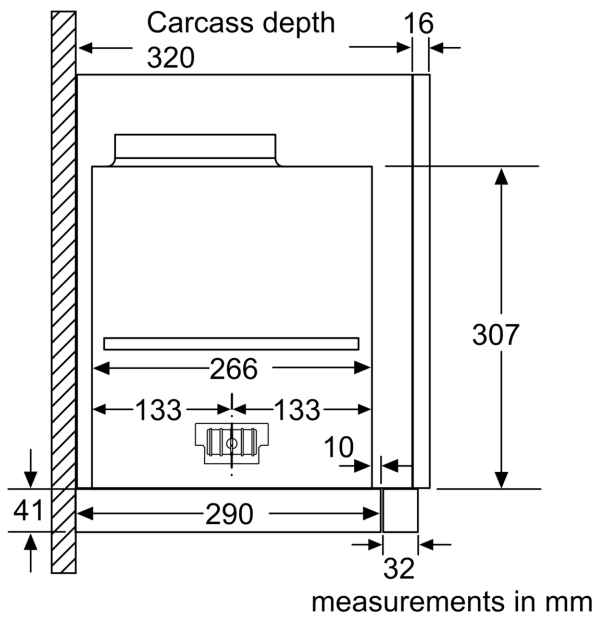
measurements in mm



measurements in mm



measurements in mm



Depth of the filter drawer can be adjusted by up to 29 mm

measurements in mm