

Series 8, Built-in fully automatic coffee machine, Stainless steel CTL636ES6



1 x assembly screws, 1 x scoop, 1 x test strip, 1 x milk container (insulated), 1 x connection hose for milk frother, 1 x milk pipe

- TCZ7003 Accessories small appliances
- TCZ8001A Cleaning tablets
- TCZ8002A Descaling tablets
- TCZ8004A Care set espresso
- TCZ8009N insulated milk container
- Y988081012 :
- Y988081300 :
- Y988081302 :
- Y988081303 :

The built-in coffee center with Home Connect: offers unparalleled variety with highest comfort.

- **Intelligent Heater inside:** The sensoFlow System guarantees maximum espresso indulgence every time, thanks to its ideal, constant brewing temperature
- **OneTouch DoubleCup:** Any coffee or milk speciality at the touch of a button - even two cups at the same time
- **AromaDouble Shot:** Extra-strong coffee with less bitterness thanks to two grinding and brewing processes
- **Home Connect:** Discover smart home appliances that make everyday life easier.
- **AutoMilk Clean:** Automatic steam cleaning after every beverage for a properly cleaned milk system.

Built-in / Free-standing: Built-in
 Frothing nozzle: No
 Display: No
 Water protection system: no
 Portion sizes: All cups
 Dimensions: 455 x 594 x 375 mm
 Dimensions of the packed product (HxWxD): 540 x 478 x 670 mm
 Min. required niche size for installation (HxWxD): 449 x 558 x 356 mm
 Hot water spout: No
 Standby function: Yes
 Simultaneous preparation of 2 cups: Yes
 Included accessories: 1 x assembly screws, 1 x scoop, 1 x test strip, 1 x milk container (insulated), 1 x connection hose for milk frother, 1 x milk pipe
 Optional accessories:TCZ7003, TCZ8001A, TCZ8002A, TCZ8004A, TCZ8009N, Y988081012, Y988081300, Y988081302, Y988081303
 Fuse protection:10 A
 Voltage: 220-240 V
 Frequency: 50/60 Hz
 Plug type: Gardy plug w/ earthing
 Product group: Built-in coffee machines
 Product name/family: Built-in coffee machines
 Product name / Commercial code: CTL636ES6
 Typology: Fully automatic
 Length electrical supply cord: 170.0 cm
 Maximum height for installation: 449 mm
 Dimensions: 455 x 594 x 375 mm
 Dimensions of the packed product (HxWxD): 540 x 478 x 670 mm
 Net weight: 43.000 lbs
 Net weight: 19.7 kg
 Gross weight: 49.000 lbs
 Gross weight: 22.3 kg
 Capacity water container: 2.4 l



Series 8, Built-in fully automatic coffee machine, Stainless steel CTL636ES6

The built-in coffee center with Home Connect: offers unparalleled variety with highest comfort.

Flavour

- Innovative heating system "senso flow system"
- One-touch function for milk drinks
- AromaDouble Shot - Extra strong coffee without compromise in aroma
- Beverage temperature adjustable individually: 3 coffee temperature levels., Hot water: 4 grades
- optional Brita Intenza water filter: Improves the coffee's taste and prolongs the appliance's life

Convenience

- TFT display with interactive menu
- 20-250 ml
- Coffee outlet is height-adjustable: Even 15cm high Latte Macchiato glasses fit underneath
- Cappuccino: Prepare two cups simultaneously for all coffee and milk specialities
- Removable 2.4 litre water tank
- early warning when bean container or water tank are close to empty
- Flexible milk solution: Decide for yourself if you prefer connecting the yes milk container or using any other container, e.g. a milk carton
- Short user manual always at hand inside appliance

Performance

- High-value ceramic grinding unit "silent ceram drive"
- yes: The grinding unit automatically adjusts to bean variety
- One-touch coffee milk specialities that specially creates fine-pored milk froth thanks to an innovative milk frother
- Yes Yes separately available
- Reduced heating-up time: fastest first cup!
- Water pump with 19 bar pressure
- Separate container for pre-grounded coffee
- 15.000 cup warranty: Consistently high appliance quality from the first cup to the 15,000th (valid for non-commercial use within 24 months)

Home Connect

- Discover the new way of controlling home appliances: by app. The Home Connect app allows you to access the appliance from anywhere - at home using WiFi, when away from home using the mobile phone network.
- Remote start: Select and configure beverages in the app, then remotely start the beverage preparation
- CoffeePlaylist: Enter multiple beverage wishes in the app at once, e.g. for visitors; the appliance will then prepare them one after another
- CoffeeWorld: 17 additional international coffee specialties are available in the app - from Australian Flat White to Vienna Melange to Colombian Cortado
- Coffee recipes: The app offers a variety of recipes involving coffee,

which can be transferred to the appliance or a Home Connect capable oven - from Espresso Crème brûlée to saddle of venison with coffee crunches

- Coffee know-how: The app includes interesting knowledge around the topic coffee, e.g. bean varieties, harvesting methods or roasting techniques
- User manual: A digital user manual is ready to hand at all times in the app
- Customer service: In case of technical problems, the A01 customer service is able to access the appliance virtually - if you want so
- Security: Security is of top priority at Home Connect. The Home Connect app has been tested and certified by TÜV IT. And the encrypted data transfer via Home Connect protocol protects against unauthorised access.
- The availability of the Home Connect functionality depends on the availability of Home Connect services in your country. Home Connect services are not available in every country – for further information please check www.home-connect.com

Hygiene

- Removable brewing unit: Easy and hygienic cleaning under running water
- steam blast: Fully-automatic steam cleaning of the milk system is done after every beverage
- All milk nozzle parts are easily removable, separable, easy to clean & dishwasher-proof
- yes: Complete emptying of all pipes after each brewing process
- Automatic quick rinse programme when switched on or off
- Removable drip dish including container for coffee grounds
- Fully automatic descaling & cleaning programme
- Display of remaining cups before Decalcification, Cleaning, Change of water filter

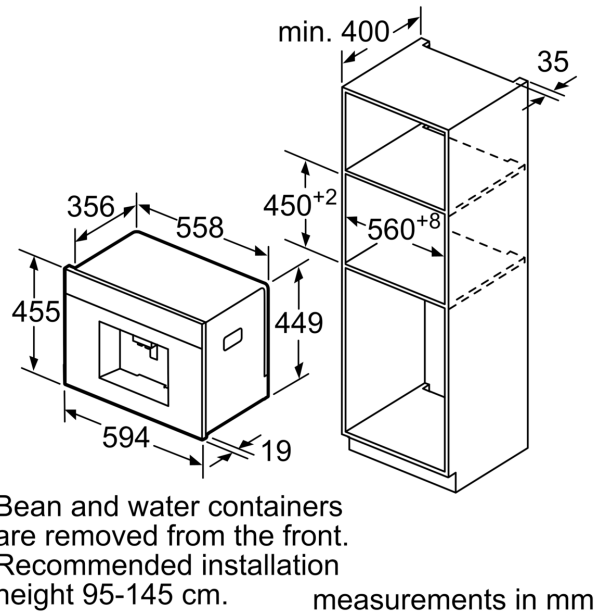
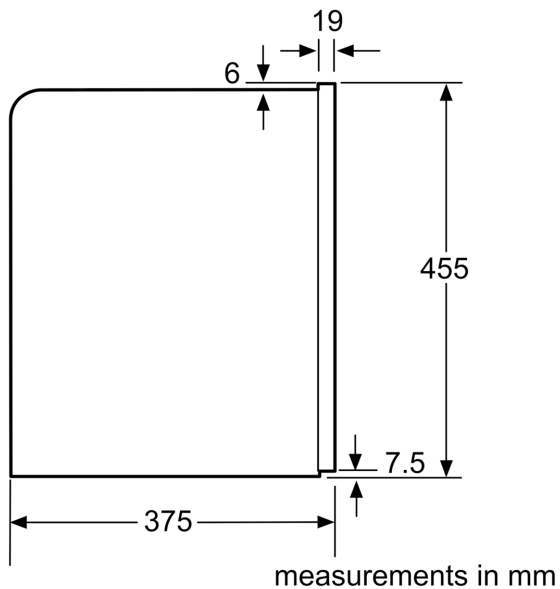
Miscellaneous

- Containers for water, milk and coffee beans are easily accessible yet hidden behind a door, so the kitchen always looks clean
- Bean container with aroma preserving lid for up to 500grams
- Adjustable grind settings (multilevel)
- Different display languages available
- child-proof lock: key lock preventing unintended brewing cycle
- Wattage: 1600 W

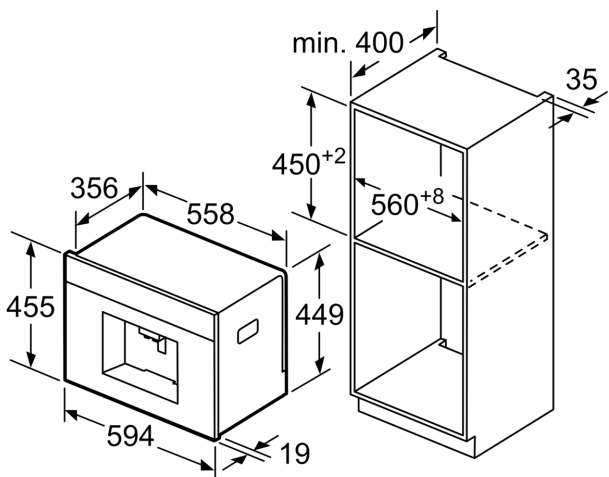
Accessories

- isolated milk container with aluminium housing (0.7 l volume)
- Included accessories: scoop, test strip, connection hose for milk frother, milk container (insulated), assembly screws
- Separately available accessories: cleaning tablets (TZ60001), descaling tablets (TCZ8002), BRITA Intenza water filter (TCZ7003), care set for fully-automatic espresso makers (TCZ8004), insulated milk container (TCZ8009N)

**Series 8, Built-in fully automatic coffee machine, Stainless steel
CTL636ES6**

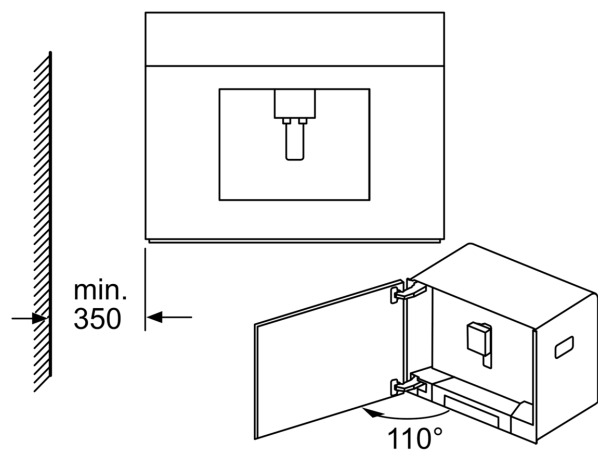


Bean and water containers are removed from the front. Recommended installation height 95-145 cm.

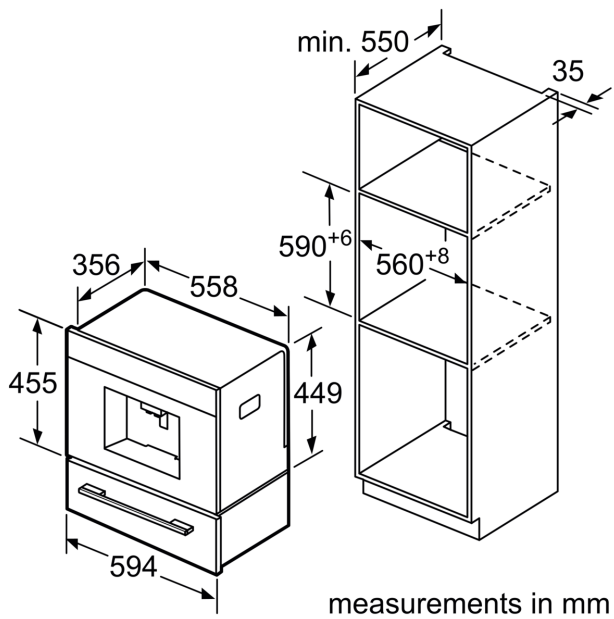


Bean and water containers are removed from the front. Recommended installation height 95-145 cm.

left corner installation



If using the 92° hinge limiter (spare part no. 00636455), the minimum distance to the wall is only 100 mm.



measurements in mm