

Series 8, Built-in fully automatic coffee machine, Stainless steel CTL636ES1



9 x assembly screws, 1 x scoop, 1 x test strip, 1 x milk container (insulated), 1 x connection hose for milk frother, 1 x milk pipe

TCZ7003 Accessories small appliances
 TCZ8001A Cleaning tablets
 TCZ8002A Descaling tablets
 TCZ8004A Care set espresso
 TCZ8009N insulated milk container
 Y988081012 :
 Y988081300 :
 Y988081302 :
 Y988081303 :

- **Intelligent Heater inside:** The sensoFlow System guarantees maximum espresso indulgence every time, thanks to its ideal, constant brewing temperature
- **OneTouch DoubleCup:** Any coffee or milk speciality at the touch of a button - even two cups at the same time
- **AromaDouble Shot:** Extra-strong coffee with less bitterness thanks to two grinding and brewing processes
- **CeramDrive:** High-quality grinder made of wear-resistant ceramic
- **Intelligent Heater inside:** Perfect brewing temperature and full aroma with the SensoFlow System

Built-in / Free-standing: Built-in
 Frothing nozzle: No
 Display: No
 Water protection system: no
 Portion sizes: All cups
 Dimensions: 455 x 594 x 375 mm
 Dimensions of the packed product (HxWxD): 550 x 480 x 670 mm
 Min. required niche size for installation (HxWxD): 449 x 558 x 356 mm
 Hot water spout: No
 Standby function: Yes
 Simultaneous preparation of 2 cups: Yes
 Included accessories: 9 x assembly screws, 1 x scoop, 1 x test strip, 1 x milk container (insulated), 1 x connection hose for milk frother, 1 x milk pipe
 Optional accessories: TCZ7003, TCZ8001A, TCZ8002A, TCZ8004A, TCZ8009N, Y988081012, Y988081300, Y988081302, Y988081303
 Fuse protection: 10 A
 Voltage: 220-240 V
 Frequency: 50/60 Hz
 Plug type: GARDY plug w/ earthing
 Product group: Built-in coffee machines
 Product name/family: Built-in coffee machines
 Product name / Commercial code: CTL636ES1
 Typology: Fully automatic
 Length electrical supply cord: 170.0 cm
 Maximum height for installation: 449 mm
 Dimensions: 455 x 594 x 375 mm
 Dimensions of the packed product (HxWxD): 550 x 480 x 670 mm
 Net weight: 44.000 lbs
 Net weight: 19.8 kg
 Gross weight: 49.000 lbs
 Gross weight: 22.3 kg
 Capacity water container: 2.4 l



Series 8, Built-in fully automatic coffee machine, Stainless steel CTL636ES1

Flavour

- Innovative heating system "senso flow system"
- One-touch function for milk drinks
- AromaDouble Shot - Extra strong coffee without compromise in aroma
- Beverage temperature adjustable individually: 3 coffee temperature levels., Hot water: 4 grades
- optional Brita Intenza water filter: Improves the coffee's taste and prolongs the appliance's life

Convenience

- TFT display with interactive menu
- 20-250 ml
- Coffee outlet is height-adjustable: Even 15cm high Latte Macchiato glasses fit underneath
- Cappuccino: Prepare two cups simultaneously for all coffee and milk specialities
- Removable 2.4 litre water tank
- early warning when bean container or water tank are close to empty
- Flexible milk solution: Decide for yourself if you prefer connecting the yes milk container or using any other container, e.g. a milk carton
- Short user manual always at hand inside appliance

Performance

- High-value ceramic grinding unit "silent ceram drive"
- yes: The grinding unit automatically adjusts to bean variety
- One-touch coffee milk specialities that specially creates fine-pored milk froth thanks to an innovative milk frother
- Yes Yes separately available
- Reduced heating-up time: fastest first cup!
- Water pump with 19 bar pressure
- Separate container for pre-grounded coffee
- 15.000 cup warranty: Consistently high appliance quality from the first cup to the 15,000th (valid for non-commercial use within 24 months)

Hygiene

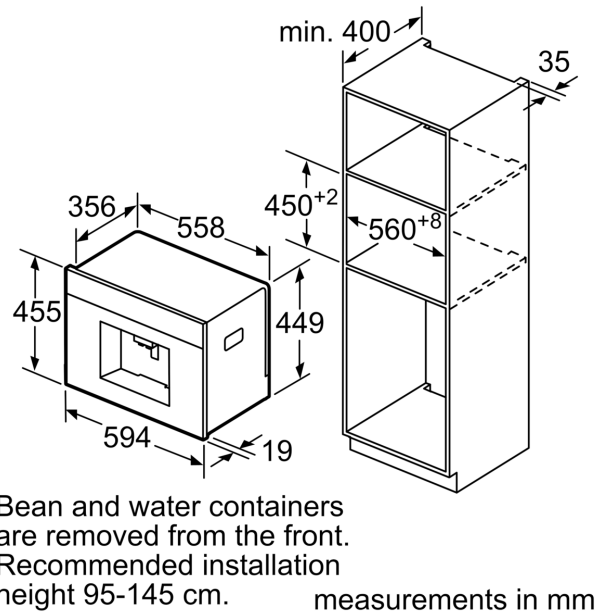
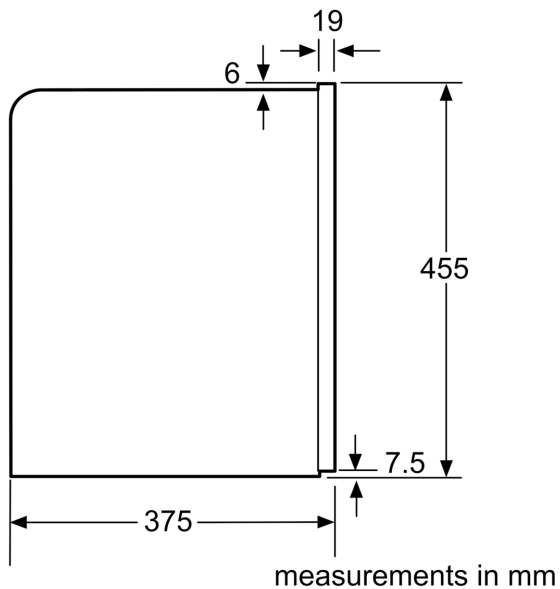
- Removable brewing unit: Easy and hygienic cleaning under running water
- steam blast: Fully-automatic steam cleaning of the milk system is done after every beverage
- All milk nozzle parts are easily removable, separable, easy to clean & dishwasher-proof
- yes: Complete emptying of all pipes after each brewing process
- Automatic quick rinse programme when switched on or off
- Removable drip dish including container for coffee grounds
- Fully automatic descaling & cleaning programme
- Display of remaining cups before Decalcification, Cleaning, Change of water filter
- Containers for water, milk and coffee beans are easily accessible yet hidden behind a door, so the kitchen always looks clean
- Bean container with aroma preserving lid for up to 500grams
- Adjustable grind settings (multilevel)

- Different display languages available
- child-proof lock: key lock preventing unintended brewing cycle
- Wattage: 1600 W

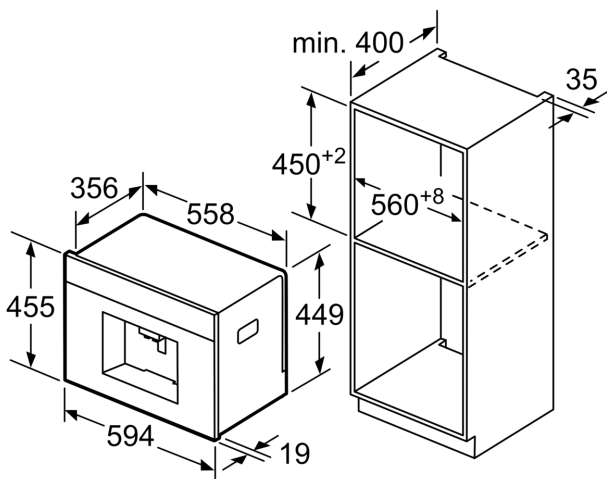
Accessories

- isolated milk container with aluminium housing (0.7 l volume)
- Included accessories: scoop, test strip, connection hose for milk frother, milk container (insulated), assembly screws
- Separately available accessories: cleaning tablets (TZ60001), descaling tablets (TCZ8002), BRITA Intenza water filter (TCZ7003), care set for fully-automatic espresso makers (TCZ8004), insulated milk container (TCZ8009N)

Series 8, Built-in fully automatic coffee machine, Stainless steel CTL636ES1

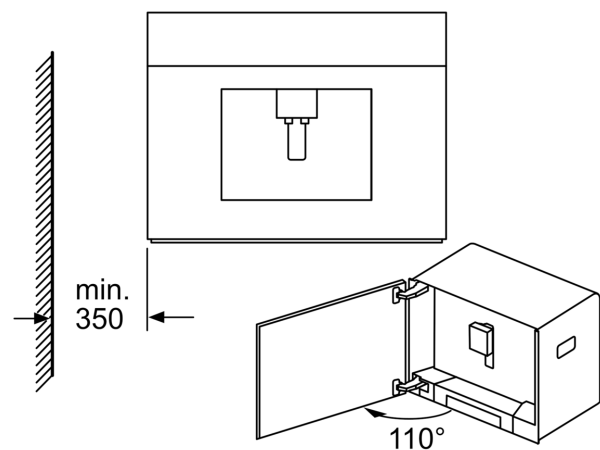


Bean and water containers are removed from the front. Recommended installation height 95-145 cm.



Bean and water containers are removed from the front. Recommended installation height 95-145 cm.

left corner installation



If using the 92° hinge limiter (spare part no. 00636455), the minimum distance to the wall is only 100 mm.

