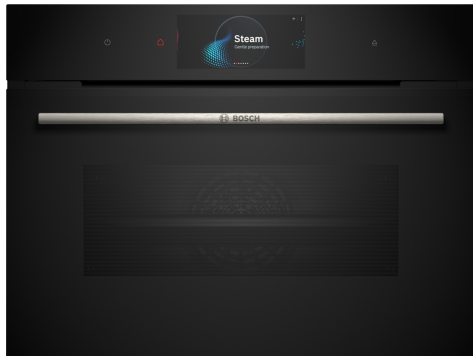


**Series 8, Built-in compact oven with steam function, 60 x 45 cm, Black CSG7584B1**



1 x grid, 1 x universal pan, 1 x steam container, size XL, punched, 1 x Steam container, unpunched, size M

HEZ660060 Strip, HEZ664000 Baking and roasting grid (steam), HEZ66D52 2 steamcontainer(punched/unpunched)sizeM, HEZ915003 Glass roasting dish, 5,4 L, HEZG0AS00 Connecting cable 3m, HEZ32WA00 Wireless food thermometer, HEZ530000 Half tray, HEZ531010 Baking tray, non-stick ceramic coated, HEZ532010 Universal pan, non-stick ceramic coated, HEZ617000 Pizza pan, enamelled, HEZ629070 Air Fry & Grill tray, HEZ631070 Baking tray, enamelled, HEZ632070 Multipurpose pan, enamelled, HEZ636000 Glass pan, HEZ638D00 Full ext rails, level independent, steam, HEZ660050 Cover Strip

**The compact steam oven with Digital Control Ring and TFT-touchdisplay, assist function for meals PerfectBake Plus, PerfectRoast Plus, Home Connect for control via the App.**

- **Digital Control Ring:** the simple and innovative way to select oven settings.
- **TFT Touch Display Pro:** control with an innovative Digital Control Ring and full TFT touchscreen.
- **Steam Function Plus:** for gentle, healthy food preparation at up to 120°C.
- **Automatic Switch-off:** cooking process automatically stops as soon as the dish is done.
- **PerfectBake Plus:** regulates settings and tells you exactly when to remove dishes from the oven.

---

Gross weight:	86.000 lbs
Built-in / Free-standing:	Built-in
Door opening:	Drop down
Min. required niche size for installation (HxWxD):	450-455 x 560-568 x 550 mm
Dimensions:	455 x 594 x 548 mm
Dimensions of the packed product (HxWxD):	520 x 650 x 690 mm
Control Panel Material:	Glass
Door Material:	Glass
Net weight:	36.9 kg
Length electrical supply cord:	150.0 cm
Cooking method:	Defrost, - Steam 100oC, - Fermentation, - Regeneration, 4D hot air, Air fry, Dehydrate, Full width grill, Hotair gentle, Intensive heat, Half width grill, Conventional heat, Conventional heat gentle, Pizza setting, low temperature cooking, Bottom heat, Hot air grilling, pre-heating, warming
Time-setting Options:	Start and Stop
Fuse protection:	16 A
Voltage:	220-240 V
Frequency:	50; 60 Hz
Plug type:	Gardy plug w/ earthing
Energy input:	Electric
Fuse protection:	16 A
Voltage:	220-240 V
Frequency:	50; 60 Hz
Plug type:	Gardy plug w/ earthing
Dimensions of the packed product:	20.47 x 25.59 x 27.16
Net weight:	.81.000 lbs
Included accessories:	1 x grid, 1 x universal pan, 1 x steam container, punched, size XL, 1 x Steam container, punched, size M, 1 x Steam container, unpunched, size M

---



## Series 8, Built-in compact oven with steam function, 60 x 45 cm, Black CSG7584B1

### The compact steam oven with Digital Control Ring and TFT-touchdisplay, assist function for meals PerfectBake Plus, PerfectRoast Plus, Home Connect for control via the App.

#### Heating Functions

- Compact steam oven with 23 heating methods: - 4D hot air, - Conventional heat, - Hot air grilling, - Full width grill, - Half width grill, - Pizza setting, - Bottom heat, - Intensive heat, - Low temperature cooking, - Preheating, - Dehydrate, - Keep warm, - Hotair gentle, Conventional heat gentle, - Steam 100°C, - Regeneration, - Fermentation, - Defrost, Hot air grilling, warming, 4D Hot air, Conventional heat
- Temperature range 30 °C - 250 °C
- Cavity volume: 47 l

#### Hook-in racks / rails

- Number of shelf levels: 3 PC
- Large capacity oven with shelf supports

#### Design

- Touch control
- Digital Control Ring
- Enamel cavity anthracite
- Extra large capacity oven

#### Cleaning:

- side: coating of ceiling, back panel, side liners
- Cleaning aid, ecolyse program

#### Comfort

- Oven Assistant with Voice Control
- LED display control (red)
- Electronic clock
- Digital temperature display with proposal
- Actual temperature display - Heating-up indicator
- Door hinge: Bottom, SoftClosing, Soft opening
- Soft opening
- Supporting systems: Dish categories
- Air Fry Function
- Rapid heating-up
- steam boost - add for 3min intensive steam with a touch of a button.
- There are different steam intensities selectable: steam level high, steam level middle, steam level low
- LED light switch for oven illumination
- Water tank empty indicator
- Location of the steam generator is outside of the cavity
- Integral cooling fan
- HomeConnect ready on WLAN

#### Standard Accessories

- 1 x Steam container, punched, size M, 1 x steam container, punched, size XL, 1 x Steam container, unpunched, size M, 1 x

grid, 1 x universal pan

#### Safety Functions:

- Maximum window temperature 40° C low door temperature
- Child lock, Residual heat indicator, Automatic switch off, Start and Stop button, door contact switch

#### Technical Information

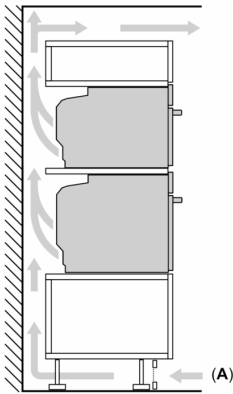
- Length of mains cable: 150 cm
- Nominal voltage: 220 - 240 V
- Electrical connection rating: 3300 W
- Energy efficiency rating (acc. EU Nr. 65/2014): A+(at a range of energy efficiency classes from A+++ to D)
- Energy consumption per cycle in conventional mode:0.73 kWh
- Energy consumption per cycle in fan-forced convection mode:0.61 kWh
- Number of cavities: 1 Heat source: electrical Cavity volume:47 l

#### Technical information:

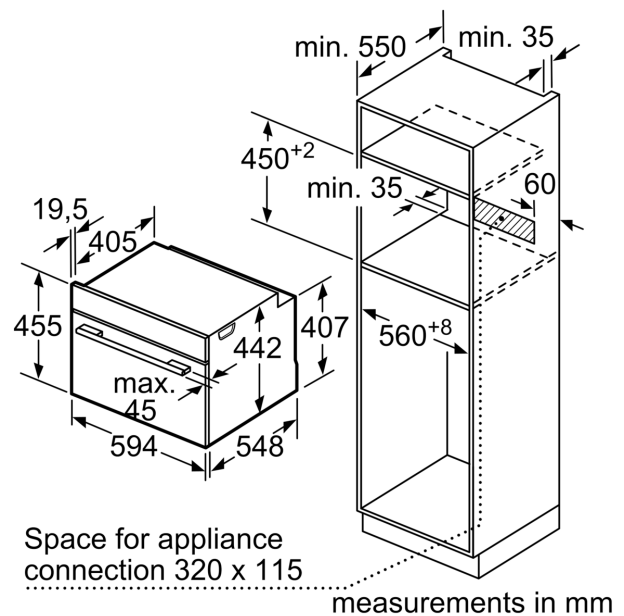
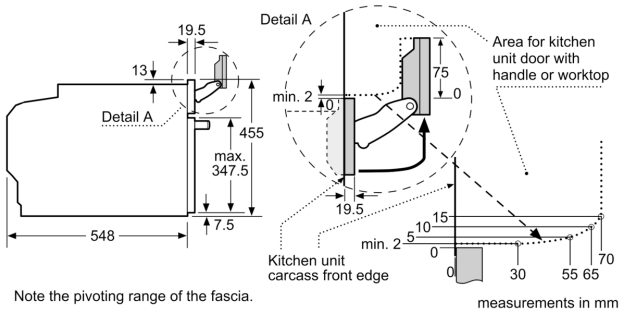
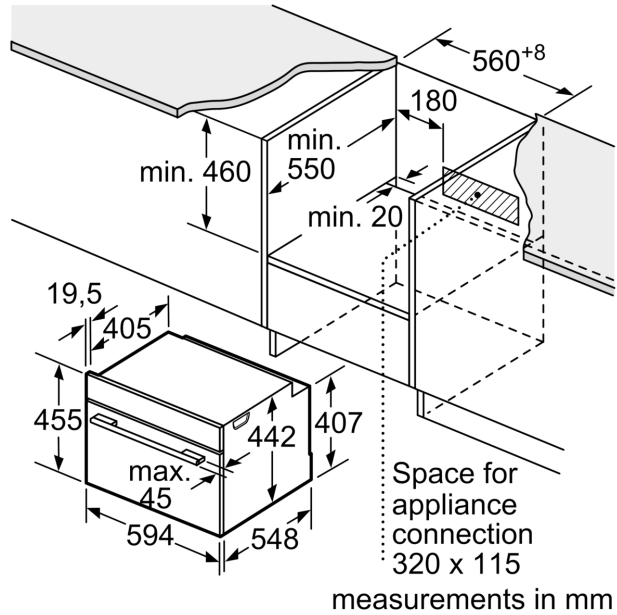
- Dimensions of the product (HxWxD mm) : 455 x 594 x 548
- Required niche size for installation (HxWxD mm): 450 - 455 x 560 - 568 x 550
- "Please reference the built-in dimensions provided in the installation drawing"

## Series 8, Built-in compact oven with steam function, 60 x 45 cm, Black CSG7584B1

Installing two appliances on top of each other  
 Air exchange

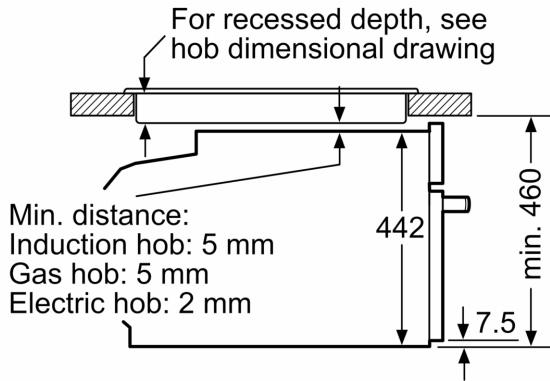


A: Air inlet  $\geq 200 \text{ cm}^2$



### Installation with a hob.

If the compact appliance will be installed underneath a hob, the following worktop thicknesses (including substructure if necessary) must be taken into account.



measurements in mm

Hob type	min. worktop thickness	
	fitted	flush
Induction hob	42 mm	43 mm
Full surface Induction hob	52 mm	53 mm
Gas hob	32 mm	43 mm
Electric hob	32 mm	35 mm