

## Series 8, Built-in compact oven with steam function, 60 x 45 cm, Black CSG656RB7



1 x grid, 1 x universal pan, punched, size XL, 1 x steam container, unpunched, size S

HEZ36D163 Steam container, unpunched, size S, HEZ36D163G Steam container, punched, size S, HEZ530000 Half tray, HEZ531010 Baking tray, non-stick ceramic coated, HEZ532010 Universal pan, non-stick ceramic coated, HEZ617000 Pizza pan, enamelled, HEZ625071 Grill tray, anthracite, HEZ631070 Baking tray, enamelled, HEZ632070 Multipurpose pan, enamelled, HEZ636000 Glass pan, HEZ660050 Cover Strip, HEZ660060 Strip, HEZ664000 Baking and roasting grid, steam, HEZ915003 Glass roasting dish, 5,4 L, HEZG0AS00 Connecting cable 3m

## The compact steam oven with PerfectBake and PerfectRoast: you get perfect results, automatically and gently.

- **PerfectBake:** the easy way to perfect baking results.
- **PerfectRoast:** precise measurement of core temperature for a perfect roast.
- **Steam function:** for gentle, healthy food preparation.
- **Added steam:** your foods turn out crispy on the outside and juicy on the inside.
- **4D hotair:** even heat distribution for perfect results.

Gross weight: ..... 86.000 lbs  
 Built-in / Free-standing: ..... Built-in  
 Door opening: ..... Drop down  
 Min. required niche size for installation (HxWxD): 450-455 x 560-568 x 550 mm  
 Dimensions: ..... 455x594x548 mm  
 Dimensions of the packed product (HxWxD): ..... 520 x 650 x 690 mm  
 Control Panel Material: ..... Glass  
 Door Material: ..... Glass  
 Net weight: ..... 36.9 kg  
 Length electrical supply cord: ..... 150.0 cm  
 Time-setting Options: ..... Start and Stop  
 Fuse protection: ..... 16 A  
 Voltage: ..... 220-240 V  
 Frequency: ..... 50; 60 Hz  
 Plug type: ..... Gardy plug w/ earthing  
 Alternative colors available: ..... CSG656RS7  
 Energy input: ..... Electric  
 Fuse protection: ..... 16 A  
 Voltage: ..... 220-240 V  
 Frequency: ..... 50; 60 Hz  
 Plug type: ..... Gardy plug w/ earthing  
 Dimensions of the packed product: ..... 20.47 x 25.59 x 27.16  
 Net weight: ..... 81.000 lbs  
 Included accessories: ..... 1 x grid, 1 x universal pan, 1 x steam container, punched, size S, 1 x steam container, punched, size XL, 1 x steam container, unpunched, size S



## Series 8, Built-in compact oven with steam function, 60 x 45 cm, Black CSG656RB7

### The compact steam oven with PerfectBake and PerfectRoast: you get perfect results, automatically and gently.

#### Heating Functions

- Compact steam oven with 14 heating methods: - 4D hot air, - Hot Air-Eco, - Conventional heat, - Conventional heat ECO, - Hot air grilling, - Full width grill, - Half width grill, - Pizza setting, - Bottom heat, - Intensive heat, - Low temperature cooking, - Preheating, - Dehydrate, - Keep warm
- Temperature range 30 °C - 250 °C
- Cavity volume: 47 l

#### Hook-in racks / rails

- Number of shelf levels: 3 PC
- 1 level telescopic shelf, 3 level telescopic shelf rails full extension, Detend function

#### Design

- Intuitive Control Ring
- Enamel cavity anthracite
- Extra large capacity oven

#### Cleaning:

- side: coating of ceiling, back panel, side liners
- ecolyse program

#### Comfort

- LED display control (red)
- Electronic clock
- Digital temperature display with proposal
- Actual temperature display - Heating-up indicator - Sabbath setting
- Additional functions:
- Descaling programme
- autom. boiling point detection drying function
- Door hinge: Bottom, SoftClosing, Soft opening
- straight bar handle
- Supporting systems: Dish categories
- PerfectRoast multipoint temperature probe
- PerfectBakebaking sensor
- Rapid heating-up
- LED light switch for oven illumination
- Water tank empty indicator
- Location of the steam generator is outside of the cavity
- Integral cooling fan
- HomeConnect ready on WLAN

#### Standard Accessories

- 1 x steam container, punched, size S, 1 x steam container, punched, size XL, 1 x steam container, unpunched, size S, 1 x grid, 1 x universal pan

#### Safety Functions:

- Maximum window temperature 40° C low door temperature
- Triple glazed CoolTouch door

- Child lock, Residual heat indicator, Automatic switch off, Start and Stop button, door contact switch

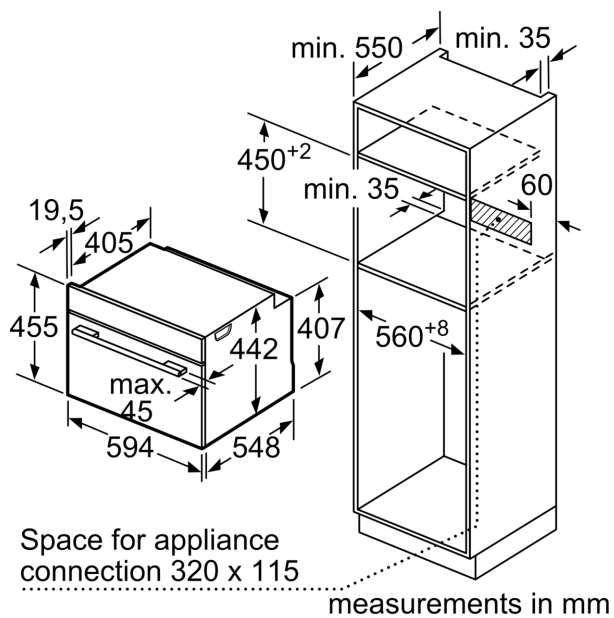
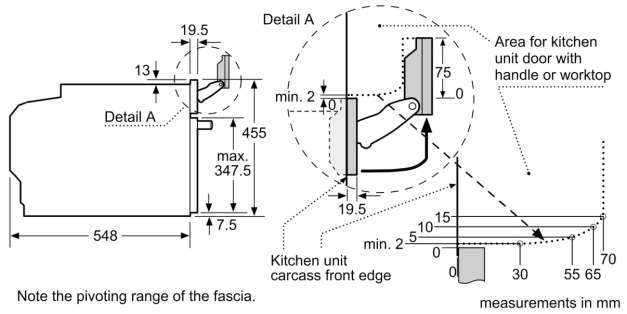
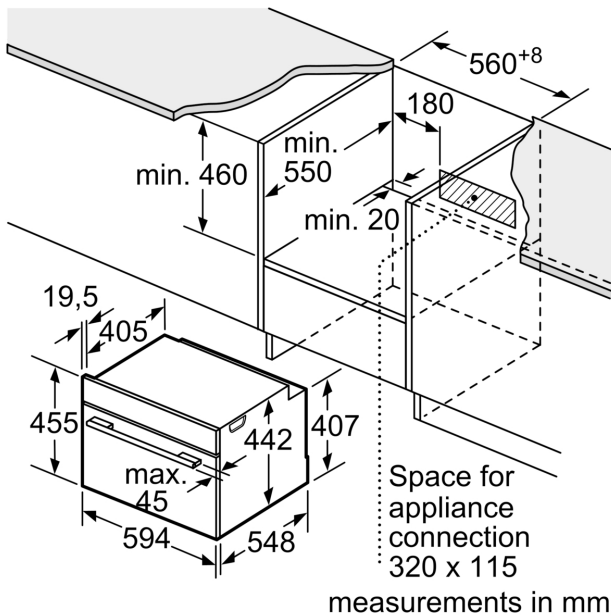
#### Technical Information

- Length of mains cable: 150 cm
- Nominal voltage: 220 - 240 V
- Electrical connection rating: 3300 W
- Energy efficiency rating (acc. EU Nr. 65/2014): A+(at a range of energy efficiency classes from A+++ to D)
- Energy consumption per cycle in conventional mode:0.73 kWh
- Energy consumption per cycle in fan-forced convection mode:0.61 kWh
- Number of cavities: 1 Heat source: electrical Cavity volume:47 l

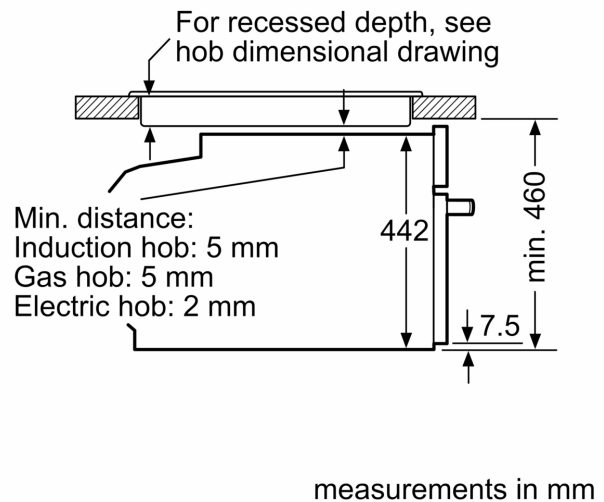
#### Technical information:

- Dimensions of the product (HxWxD mm) : 455 x 594 x 548
- Required niche size for installation (HxWxD mm): 450 - 455 x 560 - 568 x 550
- "Please reference the built-in dimensions provided in the installation drawing"
- We recommend you to choose complementary products within SER8, in order to assure an optimal design combination of your Built-In appliances.

**Series 8, Built-in compact oven with steam function, 60 x 45 cm, Black CSG656RB7**



**Installation with a hob.**



If the compact appliance will be installed underneath a hob, the following worktop thicknesses (including substructure if necessary) must be taken into account.

<b>Hob type</b>	<b>min. worktop thickness</b>	
	fitted	flush
Induction hob	42 mm	43 mm
Full surface Induction hob	52 mm	53 mm
Gas hob	32 mm	43 mm
Electric hob	32 mm	35 mm