

**Series 8, Built-in steamer, 60 x 45 cm, Black
CDG714XB1**



punched, 1 x steam container, unpunched, size L, 1 x sponge

HEZ32WA00 Wireless food thermometer
HEZ617000 Pizza pan, enamelled

The steam oven with Digital Control Ring and TFT-touchdisplay: prepare foods especially gently, retaining the aroma and vitamins. Home Connect for control via the App.

- **Digital Control Ring:** the simple and innovative way to select oven settings.
- **TFT Touch Display:** easy control thanks to an innovative Digital Control Ring and TFT touchscreen.
- **Steam function:** for gentle, healthy food preparation.
- **Automatic Switch-off:** cooking process automatically stops as soon as the dish is done.
- **Oven Assistant with Voice Control:** easily set the right programme.

Built-in / Free-standing: Built-in
 Required niche size for installation (HxWxD):450-455 x 560-568 x 550 mm
 Dimensions: 455x594x548 mm
 Dimensions of the packed product (HxWxD): 536x655x710 mm
 Control Panel Material: Glass
 Door Material: Glass
 Net weight:21.2 kg
 Length electrical supply cord: 150 cm
 Connection rating: 1750 W
 Fuse protection:10 A
 Voltage: 220-240 V
 Frequency: 50; 60 Hz
 Plug type: Gardy plug w/ earthing
 Included accessories: 1 x steam container, punched, size L, 1 x steam container, unpunched, size L, 1 x sponge



Series 8, Built-in steamer, 60 x 45 cm, Black CDG714XB1

The steam oven with Digital Control Ring and TFT-touchdisplay: prepare foods especially gently, retaining the aroma and vitamins. Home Connect for control via the App.

568 x 550

- "Please reference the built-in dimensions provided in the installation drawing"
- We recommend you to choose complementary products within SER8, in order to assure an optimal design combination of your Built-In appliances.

Heating Functions

- Compact steamer with 4 heating methods: - Steam 100oC, - Regeneration, - Fermentation, - Defrost
- Cavity volume: 38 l
- Ripped cavity Ribs

Hook-in racks / rails

- Number of shelf levels: 3 PC

Design

- Touch control
- Digital Control Ring
- Stainless steel cavity
- Extra large capacity oven

Cleaning:

Comfort

- Oven Assistant with Voice Control
- LED display control (red)
- Electronic clock
 - Digital temperature display with proposal
 - Actual temperature display
 - Heating-up indicator
- Door hinge: Bottom, SoftClosing, Soft opening
- Soft opening
- Supporting systems: Dish categories
- LED light switch for oven illumination
- Water tank empty indicator
- Location of the steam generator is outside of the cavity
- Integral cooling fan
- HomeConnect ready on WLAN

Standard Accessories

- 1 x steam container, punched, size L, 1 x steam container, unpunched, size L, 1 x sponge

Safety Functions:

- Maximum window temperature 40° C low door temperature
- Child lock, Automatic switch off, Start and Stop button, door contact switch

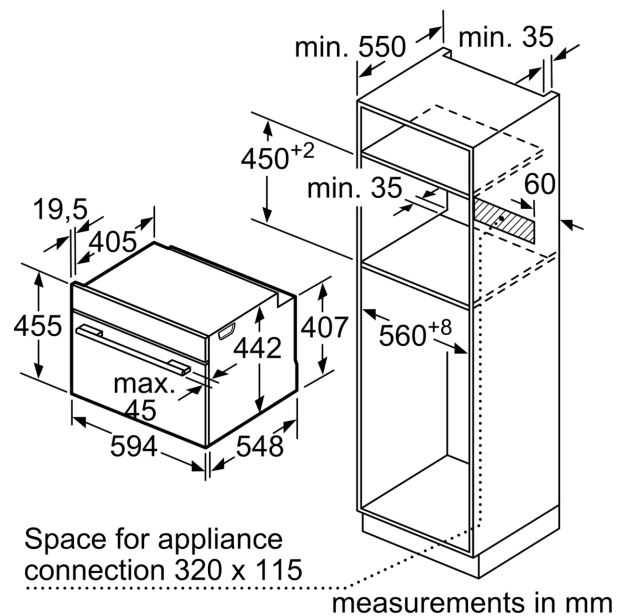
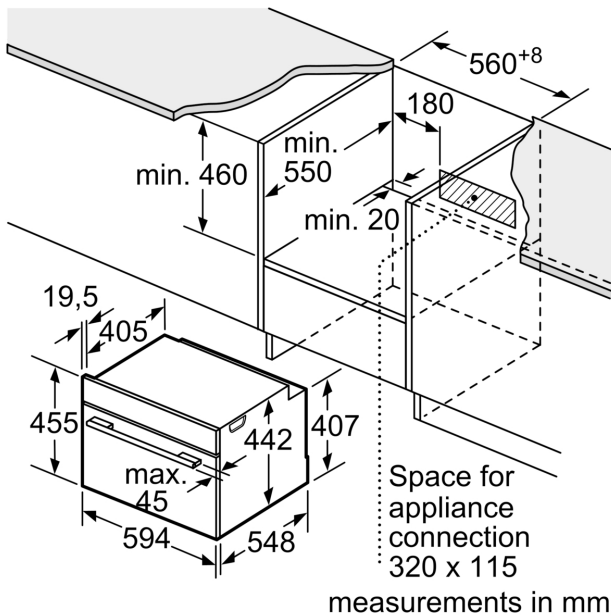
Technical Information

- Length of mains cable: 150 cm
- Nominal voltage: 220 - 240 V
- Electrical connection rating: 1750 W

Technical information:

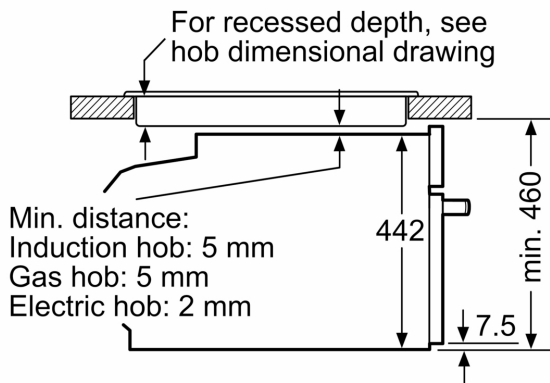
- Dimensions of the product (HxWxD mm) : 455 x 594 x 548
- Required niche size for installation (HxWxD mm): 450 - 455 x 560 -

**Series 8, Built-in steamer, 60 x 45 cm, Black
CDG714XB1**



Installation with a hob.

If the compact appliance will be installed underneath a hob, the following worktop thicknesses (including substructure if necessary) must be taken into account.



measurements in mm

Hob type	min. worktop thickness	
	fitted	flush
Induction hob	42 mm	43 mm
Full surface Induction hob	52 mm	53 mm
Gas hob	32 mm	43 mm
Electric hob	32 mm	35 mm