

Series 8, Built-in steamer, 60 x 45 cm, Stainless steel CDG634AS0



The steamer: prepare foods especially gently, retaining the aroma and vitamins.

- **Steam function:** for gentle, healthy food preparation.
- **AutoPilot 20:** every dish is a perfect success thanks to 20 pre-set automatic programmes.
- **TFT Touch Display:** easy-to-use thanks to the Control Ring with clear text and symbols.
- **Flap door with SoftOpen and SoftClose:** the oven door opens and closes especially gently and quietly.

punched, 1 x steam container, unpunched, size L, 1 x sponge

- HEZ660050 Cover Strip
- HEZ660060 Strip
- HEZ915003 Glass roasting dish, 5,4 L
- HEZG0AS00 Connecting cable 3m
- HEZG9AS00S Adapter

Built-in / Free-standing: Built-in
 Min. required niche size for installation (HxWxD): 450-455 x 560-568 x 550 mm
 Dimensions: 455x594x548 mm
 Dimensions of the packed product (HxWxD): 520 x 650 x 710 mm
 Control Panel Material: Stainless steel
 Door Material: Glass
 Net weight: 21.6 kg
 Length electrical supply cord: 150.0 cm
 Connection rating: 1750 W
 Fuse protection: 10 A
 Voltage: 220-240 V
 Frequency: 50; 60 Hz
 Plug type: GARDY plug w/ earthing
 Included accessories: 1 x steam container, punched, size L, 1 x steam container, unpunched, size L, 1 x sponge



Series 8, Built-in steamer, 60 x 45 cm, Stainless steel CDG634AS0

The steamer: prepare foods especially gently, retaining the aroma and vitamins.

Heating Functions

- Compact steamer with 4 heating methods:
 - Defrost
 - Steam 100°C - Fermentation - Regeneration
- Temperature range 30 °C - 100 °C
- Cavity volume: 38 l

Hook-in racks / rails

- Number of shelf levels: 3 PC

Design

- Intuitive Control Ring
- Stainless steel cavity

Cleaning:

Comfort

- LED display control (red)
- Electronic clock
 - Digital temperature display with proposal
 - Actual temperature display - Heating-up indicator
 - Automatic programmes, 20
- Door hinge: Bottom, SoftClosing, Soft opening
- straight bar handle
- Supporting systems: Programs
- Interior lighting switch for oven illumination
- Water tank empty indicator
- Location of the steam generator is outside of the cavity
- Integral cooling fan

Standard Accessories

- 1 x steam container, punched, size L, 1 x steam container, unpunched, size L, 1 x sponge

Safety Functions:

- Maximum window temperature 40° C low door temperature
- Child lock, Automatic switch off, Start and Stop button, door contact switch

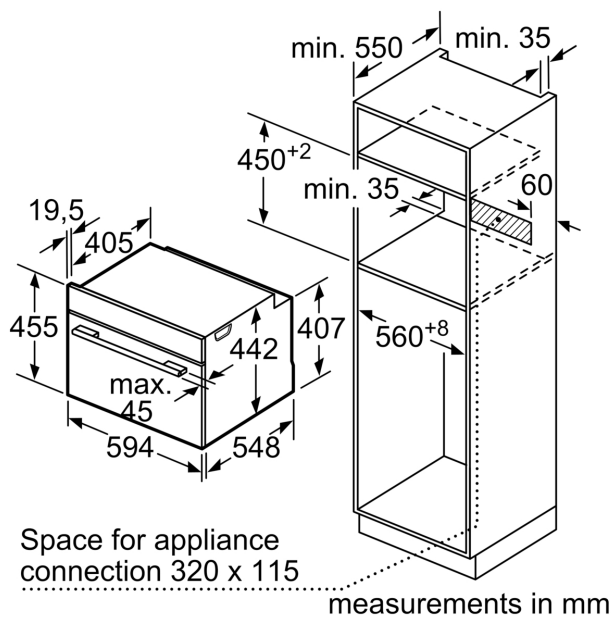
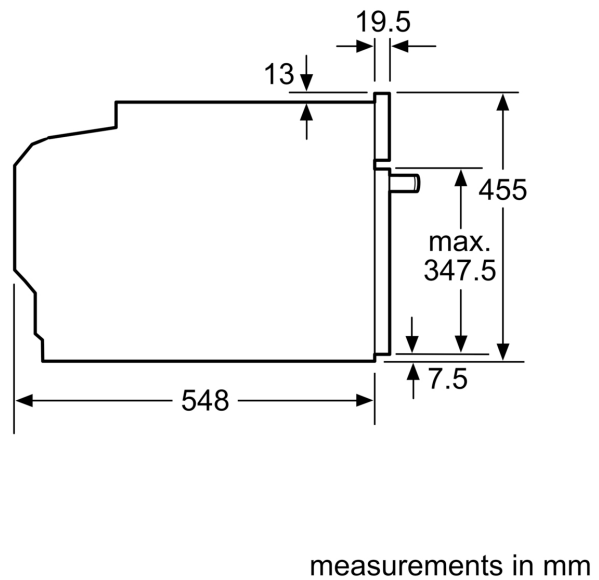
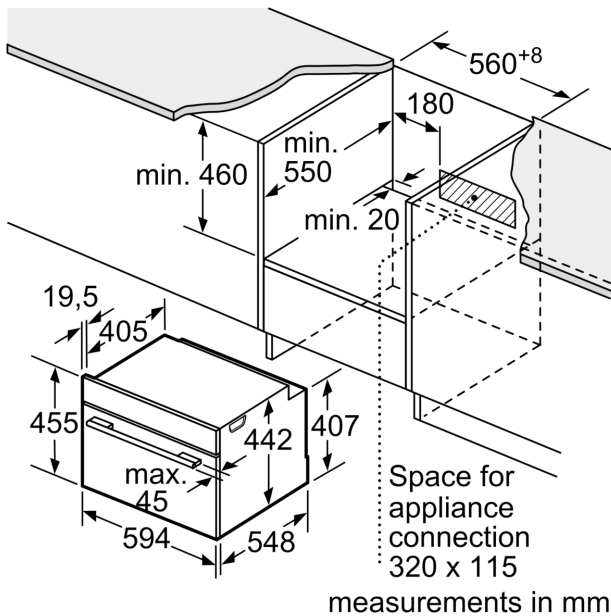
Technical Information

- Length of mains cable: 150 cm
- Nominal voltage: 220 - 240 V
- Electrical connection rating: 1750 W

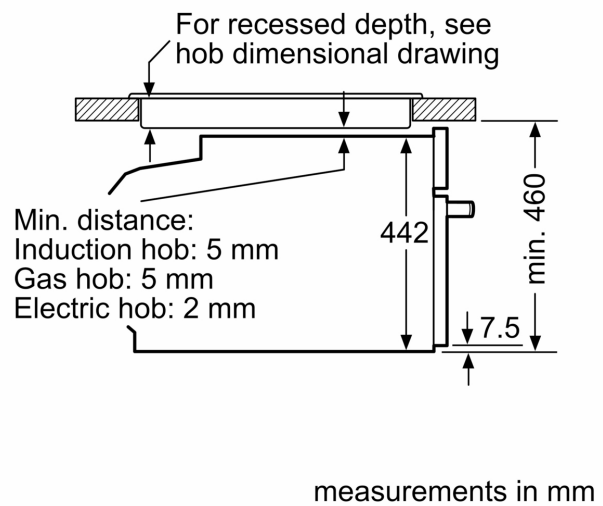
Technical information:

- Dimensions of the product (HxWxD mm) : 455 x 594 x 548
- Required niche size for installation (HxWxD mm): 450 - 455 x 560 - 568 x 550
- "Please reference the built-in dimensions provided in the installation drawing"

**Series 8, Built-in steamer, 60 x 45 cm, Stainless steel
CDG634AS0**



Installation with a hob.



If the compact appliance will be installed underneath a hob, the following worktop thicknesses (including substructure if necessary) must be taken into account.

Hob type	min. worktop thickness	
	fitted	flush
Induction hob	42 mm	43 mm
Full surface Induction hob	52 mm	53 mm
Gas hob	32 mm	43 mm
Electric hob	32 mm	35 mm