

**Series 6, 59 x 38 cm, Stainless steel
BEL554MS0K**



**The built-in microwave for the 38 cm
niche: use it for thawing, heating and
perfect preparation of foods.**

- **AutoPilot 8:** every dish is a perfect success thanks to 8 pre-set automatic programmes.
- **LED display control, white:** easy-to-use thanks to the time functions.
- **Pop-out controls:** for an easy to clean front.
- **Stainless steel interior:** easy to clean interior thanks to smooth surfaces and no sharp edges.
- **Cleaning Assistance:** less cleaning effort thanks to the new cleaning option, which can be especially used for cleaning of light soiling.

Additional function:Grill function
 Type of control:Electronic
 Dimensions: 382x594x388 mm
 Cavity dimensions: 208.0 x 328.0 x 369.0 mm
 Length electrical supply cord: 150 cm
 Net weight: 16.9 kg
 Gross weight: 20.7 kg
 Max. microwave power level: 900 W
 Number of Power Levels: 5
 Turntable: Yes
 Cavity material: Stainless steel
 Door opening: Button
 Clock: Yes
 Included accessories: 1 x grid, 1 x turntable
 Height of the appliance: 382 mm
 Width of the appliance: 594 mm
 Depth of the product: 388 mm
 Max. microwave power level: 900 W
 Connection rating: 1450 W
 Fuse protection: 10 A
 Voltage: 230-240 V
 Frequency: 50 Hz
 Plug type: GB plug
 Required cutout/niche size for installation (in):x
 Dimensions of the packed product: 18.50 x 18.11 x 25.98
 Net weight: 37.000 lbs
 Gross weight: 46.000 lbs



Series 6, 59 x 38 cm, Stainless steel BEL554MS0K

The built-in microwave for the 38 cm niche: use it for thawing, heating and perfect preparation of foods.

Microwave and heating mode:

- Max. Power: 900 W; 5 Microwave power settings: 90 W, 180 W, 360 W, 600 W, 900 W
- Grill: 1200 W
- Grill and microwave power levels 90 W, 180 W, 360 W combinable
- Microwave and grill function for separate use
- Cavity volume: 25 l

Design

- stainless steel cavity

Comfort

- LED
- electronic clock
- Rotary control dials, Retractable, Touch control
- User-friendly electronics: extremely
- easy and comfortable operation
- - Automatic programmes, 8
- 4 defrost and 3 cooking programmes in microwave function, 1 programmes for combination function
- Memory function (1 setting)
- Turn table 31.5 cm Glass
- Door hinge: Side opening door, left hinged
- open button, electric
- Touch key operation

Standard Accessories

- 1 x grid, 1 x turntable

Safety Functions:

- Automatic switch off, door contact switch
- Integral cooling fan

Technical Information

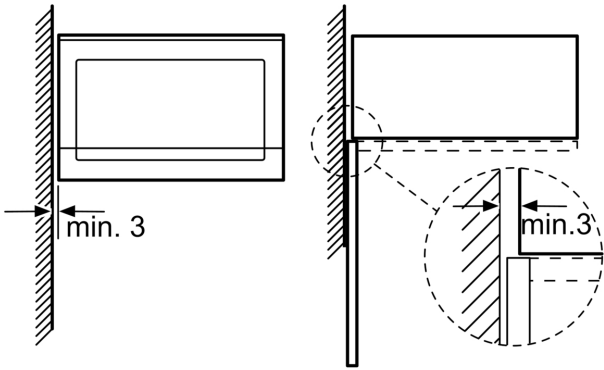
- Length of mains cable: 150 cm
- Electrical connection rating: 1450 W
- Nominal voltage: 230 - 240 V
- Suitable for tall housing installation

Technical information:

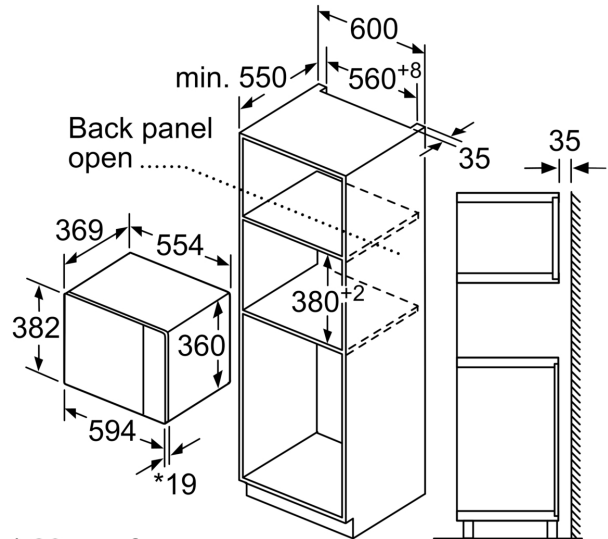
- Dimensions of the product (HxWxD mm) : 382 x 594 x 388
- Required niche size for installation (HxWxD mm): 380 - 382 x 560 - 568 x 550
- "Please reference the built-in dimensions provided in the installation drawing"

Series 6, 59 x 38 cm, Stainless steel
BEL554MS0K

Microwave,
 corner installation

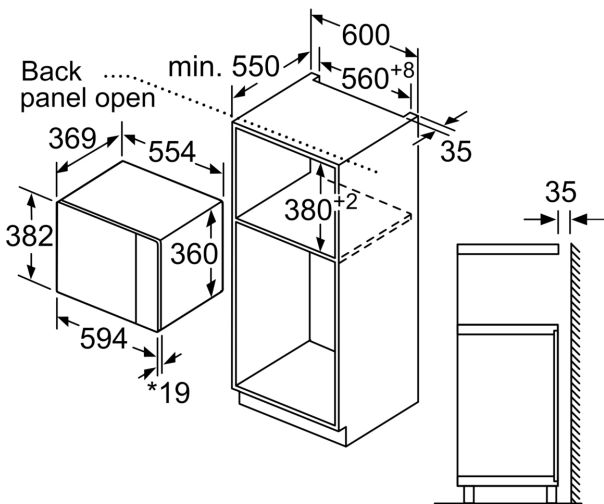


Measurements in mm



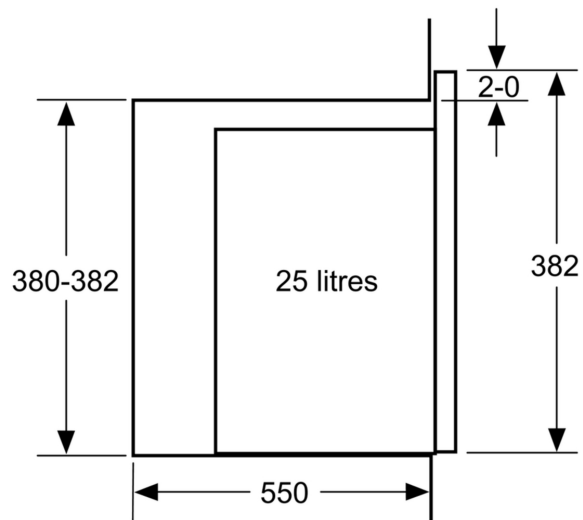
* 20 mm for metal fascia

measurements in mm



* 20 mm for metal fascia

measurements in mm



measurements in mm