

## Series 8, Heat Pump Dryer, 9 kg WTX87MH0SG



WMZ20600	Wool in basket - accessory
WTZ27400	Stacking kit with pull-out shelf
WTZ27410	Stacking kit
WTZPW20D	Platform with pull-out, dryer, cubic

## The AutoClean dryer with Smart Dry is the smartest way to do your laundry, as everything is done fully automatically.

- **Auto Clean technology with no door filter:** skip regular fluff cleaning and maintain top energy efficiency.
- **Smart Dry:** your connected dryer and washer recommend the right drying programme.
- **Auto Dry:** automatically dries to the exact degree of dryness you want.
- **Anti Vibration Design:** extremely stable and extraordinarily quiet thanks to special vibration protection.
- **Allergy Plus:** specially developed for the needs of allergy sufferers and sensitive skin.

---

Built-in / Free-standing: .....	Free-standing
Removable top: .....	No
Door hinge: .....	Right
Color / Material body: .....	White
Length electrical supply cord: .....	145.0 cm
Dimensions (HxWxD): .....	842 x 598 x 613 mm
Net weight: .....	55.1 kg
Drum volume: .....	112 l
Fluorinated greenhouse gases: .....	No
Type of refrigerant: .....	R290
Hermetically sealed equipment: .....	Yes
The quantity expressed in CO2 equivalent: .....	0.000 t
Connection rating: .....	800 W
Fuse protection: .....	10 A
Voltage: .....	220-240 V
Frequency: .....	50 Hz
Drying process: .....	automatic
Loading capacity: .....	9.0 kg
Energy efficiency rating: .....	A++
Power consumption in off-mode - NEW (2010/30/EC): .....	0.10 W
Power consumption in left-on mode - NEW (2010/30/EC): .....	0.10 W
Duration of the left-on mode - NEW (2012/30/EC): .....	30 min
Condensation efficiency class: .....	A

---



## Series 8, Heat Pump Dryer, 9 kg WTX87MH0SG

**The AutoClean dryer with Smart Dry is the smartest way to do your laundry, as everything is done fully automatically.**

---

### Technical information

- Capacity: 9 kg
- Dimensions (H x W x D): 84.2 cm x 59.8 cm x 61.3 cm cm
- 39 cm porthole, 170 °° swing door
- Operating noise for drying: 64dBA

### Programmes

- Cottons, Synthetics, Mix, Delicates, Wool Finish, Timed Porgram Warm, Smart Dry, AllergyPlus, Super Quick 40min, Towels, Sportswear, Down Wear, Duvet, Shirts/Blouses

### Features

- Home Connect: Remote Mointoring and Control, Energy Management, Remote Diagnostices, Smart Dry
- SelfCleaning Condenser automatically cleans itself and keeps the dryer running at peak efficiency at all times
- Sensitive Drying system combines warm air currents and a gentle drum structure for dry clothes
- Fine-adjustment of drying intensity to customise your preferred level of dryness
- Anti-crease cycle 60,min or 120min at the end of programme
- Touch control buttons: Low heat, less ironing, programme length, start/pause, fine-tuning of drying aim, 24h end time delay
- Anti-Vibration Side Panels reduce vibrations and ensure greater stability during the washing and spinning process.

### Display Screen & Alerts

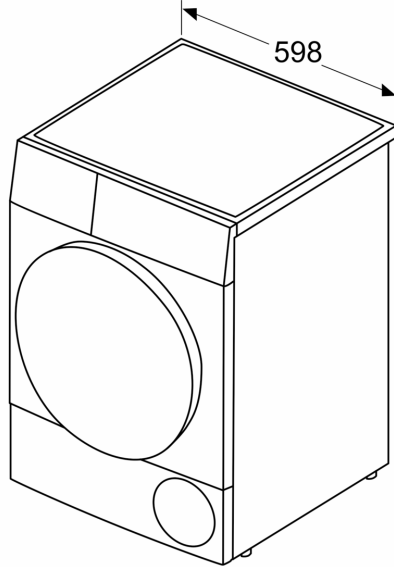
- LED Display for remaining time and 24 Hr end time delay, programme status indication, special functions
- Buzzer at the end of the wash programme

### Safety

- Child-proof lock
- DUO-Tronic

**Series 8, Heat Pump Dryer, 9 kg  
WTX87MH0SG**

Measurements in mm



Measurements in mm

