

Series 4, Heat Pump Dryer, 8 kg WTR85V00SG



WMZ20540W Platform with pull-out
 WTZ27400 Stacking kit with pull-out shelf
 WTZ27410 Stacking kit
 WTZPW20D Platform with pull-out, dryer, cubic

Energy Efficient, perfect drying results everytimee.

- **Easy Clean with A++:** dries very efficient. With easy cleaning of the condenser filter.
- **Auto Dry:** automatically dries to the exact degree of dryness you want.
- **Anti-Vibration Design:** Extremely stable vibration protection ensures high smoothness of operation.
- **Sensitive Drying System:** for gentle drying without wrinkles.
- **LED Display with end-or start-time delay of up to 24 hours.**

Built-in / Free-standing: Free-standing
 Removable top: No
 Door hinge: Right
 Color / Material body: White
 Length electrical supply cord: 145.0 cm
 Dimensions (HxWxD): 842 x 598 x 613 mm
 Net weight: 48.9 kg
 Drum volume: 112 l
 Fluorinated greenhouse gases: No
 Type of refrigerant: R290
 Hermetically sealed equipment: Yes
 The quantity expressed in CO2 equivalent: 0.000 t
 Connection rating: 600 W
 Fuse protection: 10 A
 Voltage: 220-240 V
 Frequency: 50 Hz
 Drying process: automatic
 Loading capacity: 8.0 kg
 Energy efficiency rating: A++
 Energy consumption electric dryer, full load - NEW (2010/30/EC): 1.87 kWh
 Standard cotton programme time at full load: 200 min
 Energy consumption electric dryer, partial load - NEW (2010/30/EC): 1.14 kWh
 Standard cotton programme time at partial load: 125 min
 Weighted annual energy consumption, electric dryer - NEW (2010/30/EC): 235.0 kWh/annum
 Power consumption in off-mode - NEW (2010/30/EC): 0.10 W
 Power consumption in left-on mode - NEW (2010/30/EC): 0.50 W
 Weighted programme time: 157 min
 Condensation efficiency class: B
 Average condensation efficiency full load (%): 83 %
 Average condensation efficiency partial load (%): 83 %
 Weighted condensation efficiency (%): 83 %



Series 4, Heat Pump Dryer, 8 kg WTR85V00SG

Energy Efficient, perfect drying results everytimee.

Technical Information

- Capacity: 8 kg
- Dimensions (H x W x D): 84.2 cm x 59.8 cm x 61.3 cm cm
- 39 cm porthole, 170 °° swing door
- Operating noise for drying dB: 65

Programmes

- Cottons Cupboards Extra Dry, Cottons Cupboard Dry, Cottons Iron Dry, Sportswear, Towels, Mix, Timed Programme Warm, TImed Programm Cold, Wool Finish, DownWear, SuperQuick 40 min, Shirts/Blouses, Synthetics Iron Dry, Synthetics Cupboard Dry, Synthetics Cupboard Extra Dry

Features

- Sensitive Drying system combines warm air currents and a gentle drum structure for dry clothes
- Fine-adjustment of drying intensity to customise your preferred level of dryness
- Anti-crease cycle 60 min at the end of programme
- Touch control buttons: Low heat, less ironing, programme length, start/pause, fine-tuning of drying aim, 24h end time delay

Display Screen & Alerts

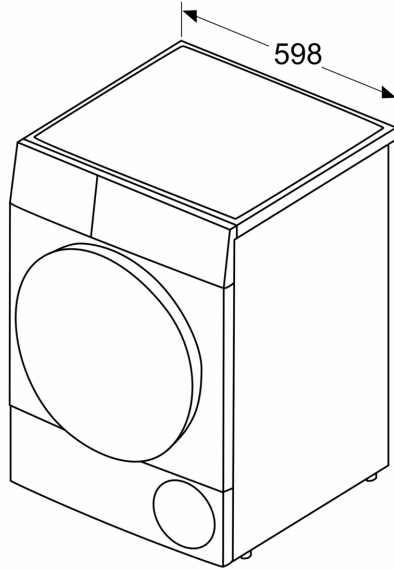
- LED Display for remaining time and 24 Hr end time delay, programme status indication, special functions
- Buzzer at the end of the wash programme

Safety

- Child-proof lock
- DUO-Tronic

**Series 4, Heat Pump Dryer, 8 kg
WTR85V00SG**

Measurements in mm



Measurements in mm

