

Series 4, Heat Pump Dryer, 8 kg WTH83028SG



The dryer for efficient drying: energy efficiency class A+.

- **Innovative heat pump technology**, abandon the traditional heating wire, use air heat for drying clothes, greatly reducing energy consumption
- **Auto Dry**: automatically dries to the exact degree of dryness you want.
- **Anti-Vibration Design**: Extremely stable vibration protection ensures high smoothness of operation.
- **Sensitive Drying System**: for gentle drying without wrinkles.
- **Anti-crease**: laundry is automatically loosened once program finished and does not crease.

Built-in / Free-standing: Free-standing
 Removable top: No
 Door hinge: Right
 Color / Material body: White
 Length electrical supply cord: 145.0 cm
 Dimensions (HxWxD): 842 x 598 x 613 mm
 Net weight: 46.8 kg
 Drum volume: 112 l
 Fluorinated greenhouse gases: No
 Type of refrigerant: R290
 Hermetically sealed equipment: Yes
 Connection rating: 600 W
 Fuse protection: 10 A
 Voltage: 220-240 V
 Frequency: 50 Hz
 Drying process: automatic
 Loading capacity: 8.0 kg
 Energy efficiency rating: A+
 Condensation efficiency class: B

WMZ20600 Wool in basket - accessory
 WTZ1110 Condenser drainage kit
 WTZ11400 Stacking kit with pull-out shelf
 WTZ20410 Stacking kit
 WTZPW20D Platform with pull-out, dryer, cubic



Series 4, Heat Pump Dryer, 8 kg WTH83028SG

The dryer for efficient drying: energy efficiency class A+.

Performance

- Capacity: 8 kg
- Dryer type: Condenser
- Energy Efficiency Class: A+ at a range of energy efficiency classes from A+++ to D
- Noise level: 65 dB
- The programme Cotton Eco used at full and partial load is the standard drying programme to which the information in the label and the fiche relates, this programme is suitable for drying normal wet cotton laundry and is the most efficient programme in terms of energy consumption for cotton

Programmes

- Cottons and Easy Care, mix, towels, Time prog. 30 min. cold, Timed program 30 min. warm, sportswear, Super 40, shirts/blouses, Delicates

Options

- Anti crease cycle 120 min at the end of the programme
- Touch control buttons: less ironing, Fine-tuning of drying aim, 24 h Ready in

Convenience and Safety

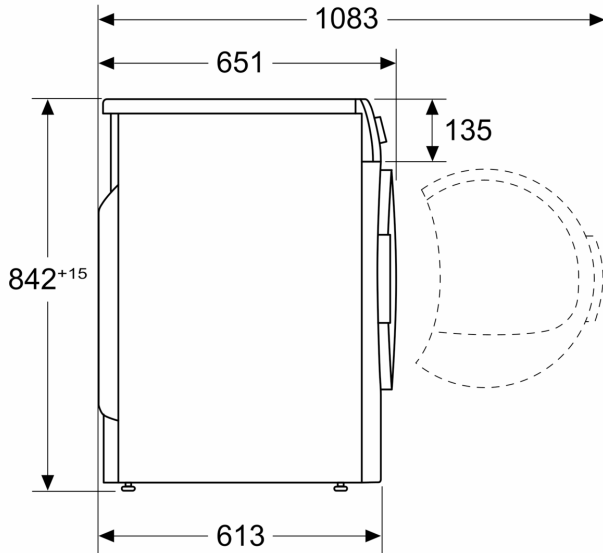
- Protection filter for condensor
- DUO-Tronic
- Fully electronic control dial for sensor drying programmes, timed and special programmes
- LED-Display for remaining time and 24 h end time delay, programme status indication, special functions
- Sensitive Drying System: Big Stainless steel drum with textile care structure, soft design paddles
- AntiVibration Design: Stability and Quietness
- Container for condensed water
- Yes
- Clean filter
- Child Proof Lock
- Buzzer at the end of the wash programme
- Magnetic porthole lock
- Door hinge: right-hand
- Metal door closing hook

Technical information

- Dimensions (H x W x D): 84.2 cm x 59.8 cm x 61.3 cm
- Built-under option

**Series 4, Heat Pump Dryer, 8 kg
WTH83028SG**

Measurements in mm



Measurements in mm

