

Series 4, Heat Pump Dryer, 7 kg WTH83027SG



- **Easy Clean with A+:** Efficient drying with easy maintenance.
- **Auto Dry:** automatically dries to the exact degree of dryness you want.
- **Anti-Vibration Design:** Extremely stable vibration protection ensures high smoothness of operation.
- **LED Display with end-or start-time delay of up to 24 hours.**
- **Sensitive Drying System: for gentle drying without wrinkles.**

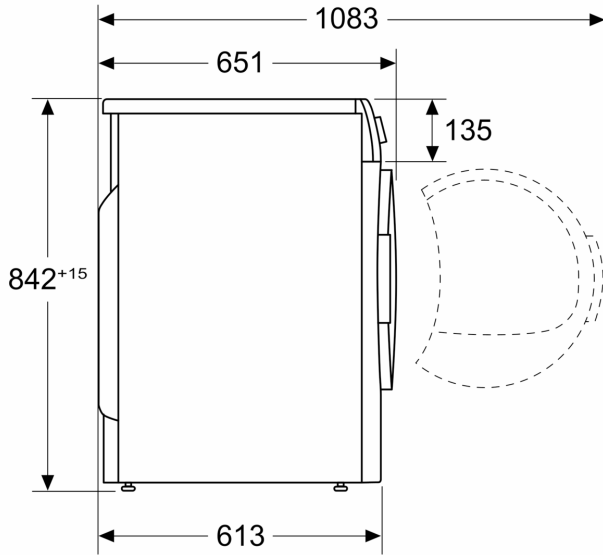
Built-in / Free-standing: Free-standing
 Removable top: No
 Door hinge: Right
 Color / Material body: White
 Length electrical supply cord: 145.0 cm
 Dimensions (HxWxD): 842 x 598 x 613 mm
 Net weight: 46.8 kg
 Drum volume: 112 l
 Fluorinated greenhouse gases: No
 Type of refrigerant: R290
 Hermetically sealed equipment: Yes
 Connection rating: 600 W
 Fuse protection: 10 A
 Voltage: 220-240 V
 Frequency: 50 Hz
 Drying process: automatic
 Loading capacity: 7.0 kg
 Energy efficiency rating: A+
 Condensation efficiency class: B



WMZ20600 Wool in basket - accessory
 WTZ1110 Condenser drainage kit
 WTZ11400 Stacking kit with pull-out shelf
 WTZ20410 Stacking kit
 WTZPW20D Platform with pull-out, dryer, cubic

**Series 4, Heat Pump Dryer, 7 kg
WTH83027SG**

Measurements in mm



Measurements in mm

