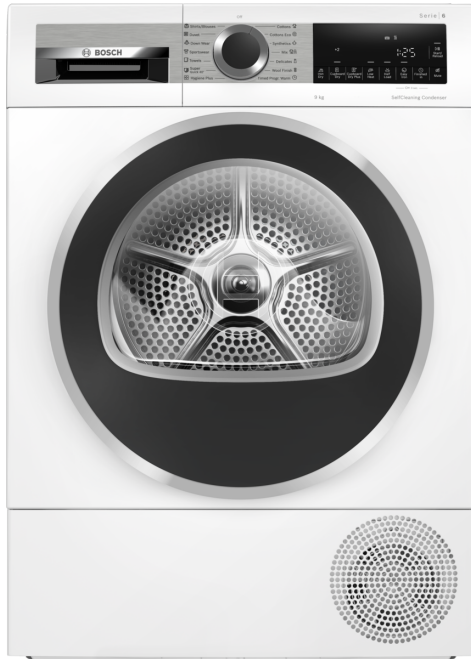


Series 6, Heat Pump Dryer, 9 kg WQG24570SG



Energy Efficient, perfect drying results everytime

- **Sensitive Drying System:** for gentle drying without wrinkles.
- **Anti-crease:** laundry is automatically loosened once program finished and does not crease.
- **Fast drying within 40 minutes, suitable for a small amount of synthetic fibers and thin fabrics.**
- **Self Cleaning Condenser:** keeps the condenser free of fluff to maintain optimal energy efficiency.

Built-in / Free-standing:	Free-standing
Removable top:	No
Door hinge:	Right
Color / Material body:	White
Length electrical supply cord:	145.0 cm
Dimensions (HxWxD):	842 x 598 x 613 mm
Net weight:	56.4 kg
Drum volume:	112 l
Fluorinated greenhouse gases:	No
Type of refrigerant:	R290
Hermetically sealed equipment:	Yes
The quantity expressed in CO2 equivalent:	0.000 t
Connection rating:	800 W
Fuse protection:	10 A
Voltage:	220-240 V
Frequency:	50 Hz
Drying process:	automatic
Loading capacity:	9.0 kg
Energy efficiency rating:	A++
Power consumption in off-mode - NEW (2010/30/EC):	0.10 W
Power consumption in left-on mode - NEW (2010/30/EC):	0.75 W
Condensation efficiency class:	B

WMZ20600	Wool in basket - accessory
WTZ27400	Stacking kit with pull-out shelf
WTZ27410	Stacking kit
WTZPW20D	Platform with pull-out, dryer, cubic



Series 6, Heat Pump Dryer, 9 kg WQG24570SG

Energy Efficient, perfect drying results everytime

Technical information

- Capacity: 9 kg, Heat-Pump
- Dimensions (H x W x D): 84.2 cm x 59.8 cm x 61.3 cm

Programmes

- Cottons, Cottons Eco, Synthetics, Mix, Delicates, Wool Finish, Timed Prog. Warm, Hygiene Plus, SuperQuick 40', Towels, Sportswear, Down Wear, Duvet, Shirts/Blouses

Features

- SelfCleaning Condenser
- Anti crease cycle 120 min at the end of the programme
- Hygiene Plus programme - suitable for allergy sufferers
- LED drum light
- Antivibration design: stability and quietness
- Sportswear programme
- Wool Finish for woollen clothes and towels
- Down Wear programme for fabrics, pillows, bedspreads or eiderdowns filled with down.
- Maximum delay start: 24hrs
- Fluff Indicator

Safety

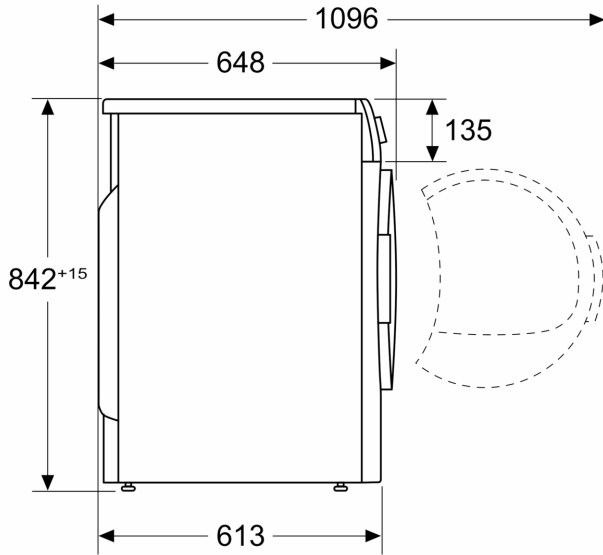
- Child Proof Lock
- Buzzer at end programme

Display Screen & Alerts

- LED display with touch buttons: Iron Dry, Cupboard Dry, Cupboard Dry Plus, Low Heat, Half Load, Easy Iron. Finished In., Mute, Start/Reload

**Series 6, Heat Pump Dryer, 9 kg
WQG24570SG**

Measurements in mm



Measurements in mm

