

**Series 6, Washer Dryer, 10/6 kg,
1400 rpm
WNA254U0SG**



Enjoy perfect wash and dry laundry results

- **Speed Perfect:** perfectly clean in up to 65% less time.
- **Anti-Vibration Side Panels** reduce vibrations and ensure greater stability during the washing and spinning process.
- **Wash & Dry 60:** Wash and dry efficiently small loads in just 60 min.

Capacity wash & dry in one run:	6.0
Capacity washing:	10.0
Built-in / Free-standing:	Free-standing
Removable top:	No
Door hinge:	Left
Length electrical supply cord:	210.0 cm
Dimensions of the product:	850 x 598 x 590 mm
Net weight:	81.3 kg
Drum volume:	70 l
Connection rating:	1900 W
Voltage:	220-240 V
Frequency:	50 Hz
Energy consumption (wash and dry of full wash load):	5.44 kWh
Energy consumption (wash only):	0.83 kWh
Water consumption (wash and dry full wash load):	118 l



WMZ2420 Built-under cover

Series 6, Washer Dryer, 10/6 kg, 1400 rpm WNA254U0SG

Enjoy perfect wash and dry laundry results

Technical information

- Capacity: 10kg washing, 6kg drying
- Maximum spin speed : 1400 rpm
- 850 mm x 600 mm x 590 mm
- 32 cm porthole, 130 ° swing door

Programmes

- Cottons, Cottons Eco, Synthetics, Daily Wash, Delicates/Silk, Wool, Rinse, Spin/Drain, Down Wear, Hygiene Care, Refresh, SuperQuick 15', Wash& Dry 60', My Time, Intensive Dry
- TouchControl buttons: Spin Speed Selection, Time Delay, Temperature, Start/Pause, SpeedPerfect, EcoPerfect, 24 Hour End Time Delay
- Reload function to pause machine operation for adding in last minute laundry items
- My Time - extend the drying time up to 120mins to get the level of dryness you desire
- Remove wrinkles and unwanted odours with the Refresh programme
- My Drying Time - extend the drying time up to 120mins to get the level of dryness you desire
- Drum Clean effectively removes any lingering odour, bacteria and detergent residue from the washing drum

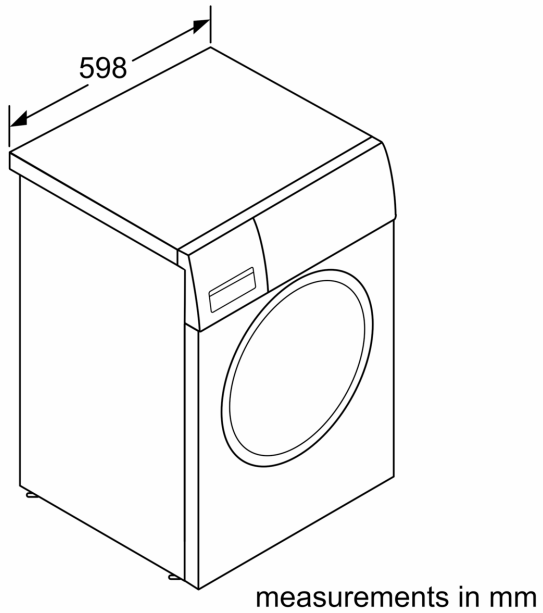
Features

- EcoSilence Drive™ friction-free motor minimises heat and wear for long-lasting performance, quiet operation and perfect wash results.
- SpeedPerfect: perfectly clean in up to 65% less time.
- Anti-Vibration Side Panels reduce vibrations and ensure greater stability during the washing and spinning process.
- Unbalanced load detection to minimise unnecessary vibration, noise and friction
- Turbidity sensor measures degree of soiling for clothes and prescribes an extra rinse for a thorough clean
- Self cleaning detergent drawer to remove detergent residue
- Buzzer at the end of the wash programme
- Large LED display screen to indicate: Programme status, Temperature and Spin Speed Selection, Remaining Time and 24 Hour End Time Delay, Load Recommendation and Consumption

Safety

- Multiple water protection with magnetic valve to minimise risk of leakage
- Child-proof lock

**Series 6, Washer Dryer, 10/6 kg,
1400 rpm
WNA254U0SG**



Measurements in mm

