

**Series 6, Front Load Washing Machine, 8 kg, 1200 rpm WGG234E0SG**



**Remove common stains quickly and easily with Bosch Anti-Stain technology for greater peace of mind everytime.**

- **Eco Silence Drive™:** the efficient and highly durable washing machine drive.
- **The AntiStain option easily removes up to 4 of the most stubborn stains, ranging from oil, tea, cosmetics and blood helping you get the perfect washing results, easily.**
- **Speed Perfect:** perfectly clean in up to 65% less time
- .
- **Active Water Plus:** For highly efficient use of water even with smaller loads thanks to automatic load detection.
- **Allergy Plus:** developed for allergy sufferers and people with sensitive skin.

- WMZ2200 Floor securing component  
 WMZ2381 Extension for cold water inlet /Aquastop  
 WMZPW20W Platform with pull-out, washer, cubic

---

Built-in / Free-standing: .....	Free-standing
Door hinge: .....	Left
Color / Material body: .....	White
Length electrical supply cord: .....	210.0 cm
Height of the appliance: .....	848 mm
Dimensions of the product: .....	848 x 598 x 590 mm
Wheels: .....	No
Net weight: .....	73.3 kg
Drum volume: .....	65 l
Door Frame: .....	Chrome, blackgray
Color Buttons: .....	black
Color Dial: .....	Chrome-black
Noise level washing: .....	44 dB(A) re 1 pW
Connection rating: .....	1900 W
Fuse protection: .....	10 A
Voltage: .....	220 V
Frequency: .....	50 Hz
Energy Star Qualified: .....	No
Cord Included: .....	Yes
Plug type: .....	GB plug
Length of supply hose (in): .....	59.05 "
Dimensions of the packed product: .....	35.03 x 26.57 x 27.95
Net weight: .....	162.000 lbs
Gross weight: .....	170.000 lbs
Length of drain hose: .....	150.00 cm
Length of supply hose: .....	150.00 cm
Dimensions of the packed product (HxWxD): .....	890 x 675 x 710 mm
Gross weight: .....	77.0 kg
Connection rating: .....	1900 W
Fuse protection: .....	10 A
Voltage: .....	220 V
Frequency: .....	50 Hz
Water protection system: .....	Multiple water protection
Max. spin speed: .....	1200 rpm
Spin speed options: .....	Variable
Digital countdown indicator: .....	Yes
Progress indicator: .....	LED-display
Capacity: .....	8.0 kg

---



## **Series 6, Front Load Washing Machine, 8 kg, 1200 rpm WGG234E0SG**

**Remove common stains quickly and easily  
with Bosch Anti-Stain technology for  
greater peace of mind everytime.**

---

### **Technical Information**

- Capacity: 8kg
- Maximum spin speed : 1200 rpm
- Dimensions (H x W x D): 84.8 cm x 59.8 cm x 59.0 cm
- 32 cm porthole, 165° swing door

### **Programmes**

- Cottons, Cottons Eco, Synthetics, Daily Wash, Delicates/Silk, Wool, Drum Clean, Rinse, Spin/Drain, Duvet, Kids, Sportswear, AllergyPlus, SuperQuick 15"/30"
- Time delay to select end time of your wash (1 - 24 hours) and time remaining indicator
- Reload function to pause machine operation for adding in last minute laundry items

### **Features**

- AntiStain: Automatic stain removal of the most common stains
- EcoSilence Drive™ friction-free motor minimises heat and wear for long-lasting performance, quiet operation and perfect wash results.
- SpeedPerfect: perfectly clean in up to 65% less time.
- ActiveWater™ Plus: Pressure and water sensor that measures the washing load and adjusts water intake to 256 precise levels for more cost and water savings
- VarioDrum's breakthrough wave-droplet design provides a thorough yet gentle clean for fine textiles
- Anti-Vibration Side Panels reduce vibrations and ensure greater stability during the washing and spinning process.
- AllergyPlus programme - suitable for allergy sufferers.

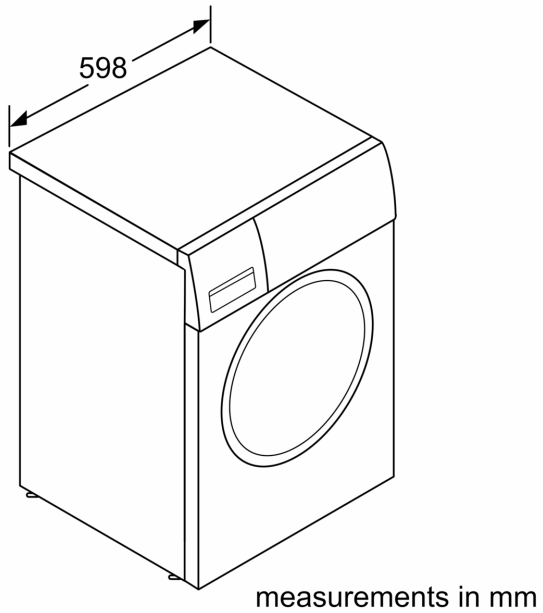
### **Safety**

- Multiple water protection with magnetic valve to minimise risk of leakage
- Child-proof lock

### **Display Screen & Alerts**

- Large LED display screen to indicate: Programme status, Temperature and Spin Speed Selection, Remaining Time and 24 Hour End Time Delay, Load Recommendation and Consumption
- Buzzer at the end of the wash programme

**Series 6, Front Load Washing  
Machine, 8 kg, 1200 rpm  
WGG234E0SG**



Measurements in mm

