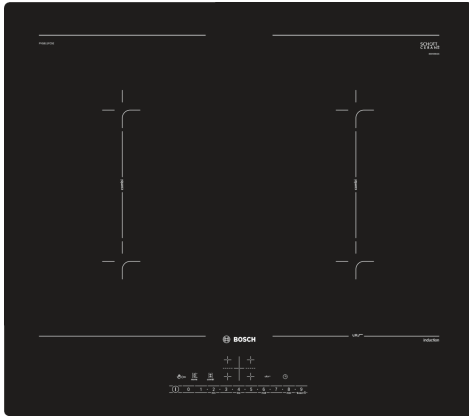


**Series 6, Induction Hob, 60 cm,
Black
PVQ611FC5E**




- HEZ390090 Wok Set consisting of 3 Items
- HEZ390210 System pan diameter 15 cm
- HEZ9ES100 Espresso maker 4 cups
- HEZ9FE280 Iron pan Ø 18 / 28 cm
- HEZ9SE040 4 pieces Set
- HEZ9SE060 6 pieces Set

The induction hob with PerfectFry: achieve perfect frying results thanks to automatic temperature control.

- **PowerBoost:** Up to 50% more power for faster heating
- **DirectSelect:** Direct, simple selection of the desired cooking zone, power and additional functions.

Product name/family: Cooking zone ceramic
 Built-in / Free-standing: Built-in
 Energy input: Electric
 Total number of positions that can be used at the same time: 4
 Min. required niche size for installation (HxWxD): 51 x 560-560 x 490-500 mm
 Width of the appliance: 592 mm
 Dimensions (HxWxD): 51 x 592 x 522 mm
 Dimensions of the packed product (HxWxD): 126 x 753 x 608 mm
 Net weight: 11.7 kg
 Gross weight: 13.9 kg
 Residual heat indicator: Separate
 Location of control panel: Front
 Basic surface material: Ceramic
 Color of surface: Black
 Length electrical supply cord: 110.0 cm
 Sealed Burners: No
 Heating with booster: All
 Power of 2nd heating element (kW): 3.6 kW
 Power of heating element (kW in boost): [3.7] kW
 Connection rating: 7400 W
 Voltage: 220-240 V
 Frequency: 50; 60 Hz
 Energy input: Electric
 Plug type: no plug
 Appliance Dimensions (h x w x d) (in): x x
 Dimensions of the packed product: 4.96 x 23.93 x 29.64
 Net weight: 26.000 lbs
 Gross weight: 31.000 lbs
 Total number of positions that can be used at the same time: 4
 Length electrical supply cord: 110.0 cm
 Min. required niche size for installation (HxWxD): 51 x 560-560 x 490-500 mm
 Dimensions (HxWxD): 51 x 592 x 522 mm
 Dimensions of the packed product (HxWxD): 126 x 753 x 608 mm
 Net weight: 11.7 kg
 Gross weight: 13.9 kg





**Series 6, Induction Hob, 60 cm,
Black
PVQ611FC5E**

The induction hob with PerfectFry: achieve perfect frying results thanks to automatic temperature control.

Design

- frameless
- Electronic display
- Main switch

Quickness:

- Boost function for all zones

Features

- 4 induction cooking zones
- DirectSelect
- ReStart Function
- Timer with switch-off function for all zones
- Alarm clock

Power and size:

- 17 power levels

Environment+safety:

- 2 stage residual heat indicator
- Automatic pan recognition sensor PowerManagement Function
- Safety swich-off Childproof lock Wipe protection function

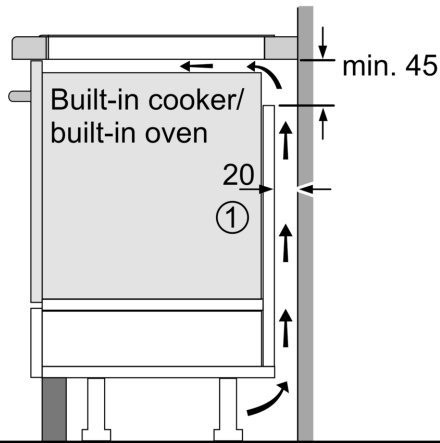
Measurements:

- Required niche size for installation (HxWxD mm) : 51 x 560 x 490 - 500
- Dimensions of the product (HxWxD mm) : 51 x 592 x 522
- Min. worktop thickness: 16 mm mm

Professional Equipment:

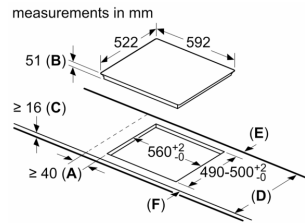
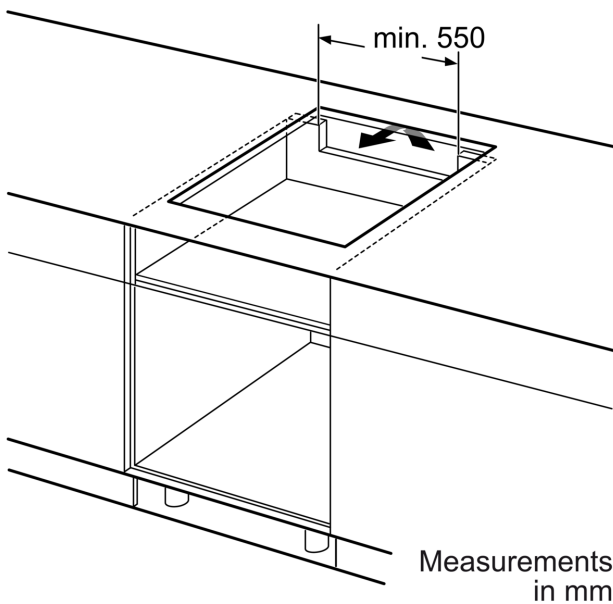
- Connected load: 7.4 KW KW

**Series 6, Induction Hob, 60 cm,
Black
PVQ611FC5E**



①
Ventilation gap must
be present

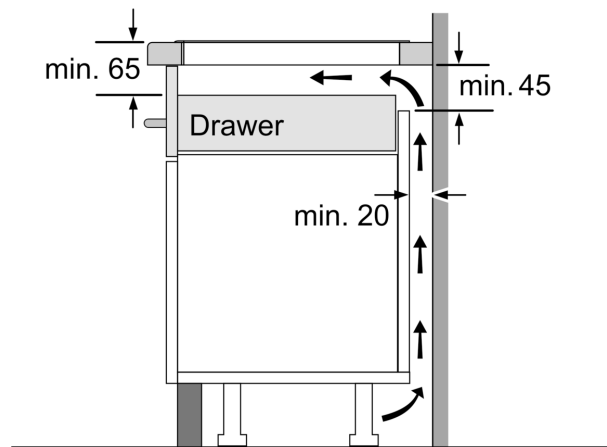
All measurements in mm



A: Minimum distance from the hob cut-out to the wall.
B: Recessed depth
C: The clearance between the surface of the worktop and the top of the front of the oven must be 30 mm. See space requirements for the oven.

The worktop into which the hob is installed must withstand loads of approx. 60 kg; suitable substructures must be used if required.

D	E	F
585-600	50	≥ 35
> 600	≥ 50	≥ 50



Measurements in mm