

**Series 4, Gas Hob, Tempered glass,  
Black  
PMD93A31AX**



**The gas hob with front-mounted controls:  
the desired cooking zones can be  
conveniently operated from the front.**

Product name/family: ..... gas hob  
 Built-in / Free-standing: ..... Built-in  
 Energy input: ..... Gas  
 Total number of positions that can be used at the same time: ..... 3  
 Type of control setting devices: ..... sword knobs  
 Min. required niche size for installation (HxWxD): ..... 80 x 880-880 x 455-455 mm  
 Width of the appliance: ..... 920 mm  
 Dimensions (HxWxD): ..... 150 x 920 x 510 mm  
 Dimensions of the packed product (HxWxD): ..... 239 x 990 x 571 mm  
 Net weight: ..... 17.2 kg  
 Gross weight: ..... 20.8 kg  
 Residual heat indicator: ..... without  
 Location of control panel: ..... Front  
 Basic surface material: ..... Tempered glass  
 Color of surface: ..... Black, Black  
 Color of frame: ..... Black, Black  
 Knob Material: ..... Plastic  
 Sealed Burners: ..... No  
 Power of 2nd heating element (kW): ..... 4.9 kW  
 Gas connection rating: ..... 11800 W  
 Voltage: ..... 1,5 V  
 Energy input: ..... Gas  
 Gas type: ..... Liquidgas G30,31 28-30/37 mbar  
 Appliance Dimensions (h x w x d) (in): ..... x 480  
 Dimensions of the packed product: ..... 9.40 x 22.48 x 38.97  
 Net weight: ..... 38.000 lbs  
 Gross weight: ..... 46.000 lbs  
 Total number of positions that can be used at the same time: ..... 3  
 Min. required niche size for installation (HxWxD): ..... 80 x 880-880 x 455-455 mm  
 Dimensions (HxWxD): ..... 150 x 920 x 510 mm  
 Dimensions of the packed product (HxWxD): ..... 239 x 990 x 571 mm  
 Net weight: ..... 17.2 kg  
 Gross weight: ..... 20.8 kg



## **Series 4, Gas Hob, Tempered glass, Black PMD93A31AX**

**The gas hob with front-mounted controls:  
the desired cooking zones can be  
conveniently operated from the front.**

---

### **Cooking Zone**

- 3 PC
- Left: Wok burner up to 4.9 KW (depending on gas type)
- Center rear: Standard burner up to 2 KW (depending on gas type)

### **Design**

- tempered glass surface, black
- sword knobs: easily access knobs in front with strong grip for effortless turning.
- Matt enamel

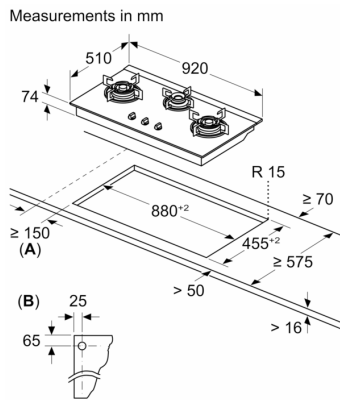
### **Features**

- Ignition via control knob: just push and turn the knob to ignite the flame.
- Flame failure safety device: prevents unwanted gas flow when flame goes out.

### **Technical Information**

- Preset of liquid gas (28-30/37mbar)
- Dimensions of the product (HxWxD mm): 150 x 920 x 510
- Required niche size for installation (HxWxD mm) : 80 x 880 x (455 - 455)
- Min. worktop thickness: 16 mm

**Series 4, Gas Hob, Tempered glass,  
Black  
PMD93A31AX**



**A:** Min. distance from the hob cut-out to the wall

**B:** Position of gas connection in the cut-out

A space of min. 100 mm in height should be kept available below the hob