

**Series 4, Gas Hob, 78 cm, Tempered glass, Black
PMD83A31AX**



The tempered-glass gas hob: offers you a sophisticated design that is easy to clean

Product name/family: gas hob
 Built-in / Free-standing: Built-in
 Energy input: Gas
 Total number of positions that can be used at the same time: 3
 Type of control setting devices: sword knobs
 Min. required niche size for installation (HxWxD): 80 x 700-700 x 400-400 mm
 Width of the appliance: 780 mm
 Dimensions (HxWxD): 150 x 780 x 450 mm
 Dimensions of the packed product (HxWxD): 205 x 857 x 551 mm
 Net weight: 13.8 kg
 Gross weight: 16.0 kg
 Residual heat indicator: without
 Location of control panel: Front
 Basic surface material: Tempered glass
 Color of surface: Black, Black
 Color of frame: Black, Black
 Knob Material: Plastic
 Sealed Burners: No
 Power of 2nd heating element (kW): 4.9 kW
 Gas connection rating: 11800 W
 Voltage: 1,5 V
 Energy input: Gas
 Gas type: Liquidgas G30,31 28-30/37 mbar
 Appliance Dimensions (h x w x d) (in): x x
 Dimensions of the packed product: 8.07 x 21.69 x 33.74
 Net weight: 31.000 lbs
 Gross weight: 35.000 lbs
 Total number of positions that can be used at the same time: 3
 Min. required niche size for installation (HxWxD): 80 x 700-700 x 400-400 mm
 Dimensions (HxWxD): 150 x 780 x 450 mm
 Dimensions of the packed product (HxWxD): 205 x 857 x 551 mm
 Net weight: 13.8 kg
 Gross weight: 16.0 kg



Series 4, Gas Hob, 78 cm, Tempered glass, Black PMD83A31AX

The tempered-glass gas hob: offers you a sophisticated design that is easy to clean

Cooking Zone

- 3 PC
- Left burner maximum power up to 4900 W (depending on gas type)
- Rear centre burner maximum power up to 2000 W (depending on gas type)
- Right burner maximum power up to 4900 W (depending on gas type)

Design

- Black glass
- Sword control knobs
- Enameled pan supports

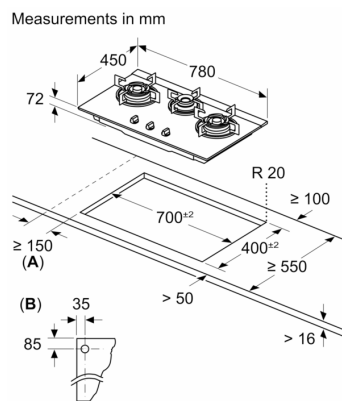
Features

- Pure brass burner
- Knob ignition
- Flame failure safety device

Technical Information

- Preset of liquid gas (28-30/37mbar)
- Dimensions of the product (HxWxD mm) : 150 x 780 x 450
- Required niche size for installation (HxWxD mm) : 80 x 700-700 x 400-400
- Battery ignition

Series 4, Gas Hob, 78 cm, Tempered glass, Black PMD83A31AX



A: Min. distance from the hob cut-out to the wall

B: Position of gas connection in the cut-out

A space of min. 100 mm in height should be kept available below the hob