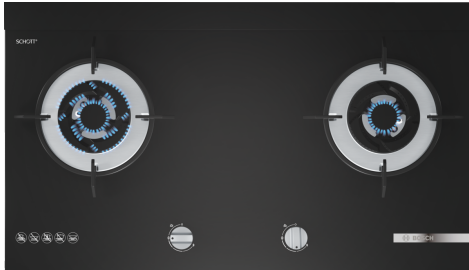


**Series 4, Gas Hob, 78 cm, Tempered glass, Black
PMD82A31AX**



**The gas hob with front-mounted controls:
the desired cooking zones can be
conveniently operated from the front.**

- Pure brass burner, durable with high quality and efficiency.
- Surface colour: elegant black tempered-glass design.
- Tempered Glass: for strength and aesthetic.
- Sword knobs: for an ergonomic control.

Product name/family: gas hob
 Built-in / Free-standing: Built-in
 Energy input: Gas
 Total number of positions that can be used at the same time: 2
 Type of control setting devices: sword knobs
 Min. required niche size for installation (HxWxD): 80 x 700-700 x 400-400 mm
 Width of the appliance: 780 mm
 Dimensions (HxWxD): 150 x 780 x 450 mm
 Dimensions of the packed product (HxWxD): 205 x 857 x 551 mm
 Net weight: 12.3 kg
 Gross weight: 14.5 kg
 Residual heat indicator: without
 Location of control panel: Front
 Basic surface material: Tempered glass
 Color of surface: Black, Black
 Color of frame: Black, Black
 Knob Material: Plastic
 Sealed Burners: No
 Gas connection rating: 9800 W
 Voltage: 1,5 V
 Energy input: Gas
 Gas type: Liquidgas G30,31 28-30/37 mbar
 Appliance Dimensions (h x w x d) (in): x x
 Dimensions of the packed product: 8.07 x 21.69 x 33.74
 Net weight: 27.000 lbs
 Gross weight: 32.000 lbs
 Total number of positions that can be used at the same time: 2
 Min. required niche size for installation (HxWxD): 80 x 700-700 x 400-400 mm
 Dimensions (HxWxD): 150 x 780 x 450 mm
 Dimensions of the packed product (HxWxD): 205 x 857 x 551 mm
 Net weight: 12.3 kg
 Gross weight: 14.5 kg



Series 4, Gas Hob, 78 cm, Tempered glass, Black PMD82A31AX

**The gas hob with front-mounted controls:
the desired cooking zones can be
conveniently operated from the front.**

Cooking Zone

- 2 PC

Design

- tempered glass surface, black
- sword knobs: easily access knobs in front with strong grip for effortless turning.
- Matt enamel

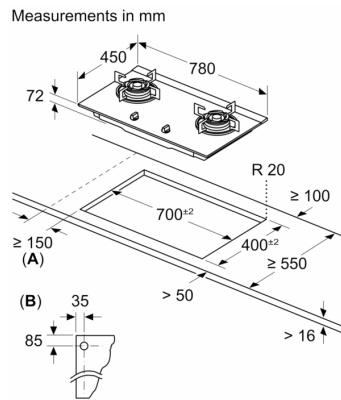
Features

- Ignition via control knob: just push and turn the knob to ignite the flame.
- Flame failure safety device: prevents unwanted gas flow when flame goes out.

Technical Information

- Preset of liquid gas (28-30/37mbar)
- Dimensions of the product (HxWxD mm): 150 x 780 x 450
- Required niche size for installation (HxWxD mm) : 80 x 700 x (400 - 400)
- Min. worktop thickness: 16 mm

Series 4, Gas Hob, 78 cm, Tempered glass, Black PMD82A31AX



A: Min. distance from the hob cut-out to the wall

B: Position of gas connection in the cut-out

A space of min. 100 mm in height should be kept available below the hob