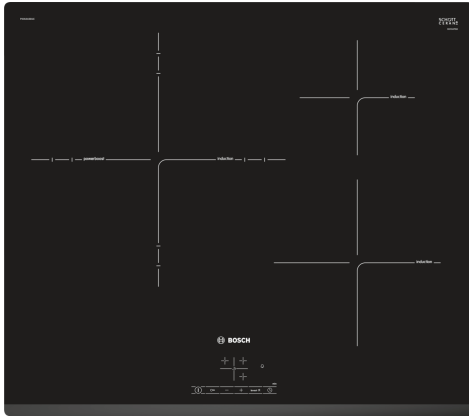


**Series 4, Induction Hob, 60 cm,  
Black,  
PID631BB1E**



HEZ390090	Wok Set consisting of 3 Items
HEZ9ES100	Espresso maker 4 cups
HEZ9FE280	Iron pan Ø 18 / 28 cm
HEZ9SE030	Set of 2 pots and 1 pan
HEZ9SE040	4 pieces Set
HEZ9SE060	6 pieces Set

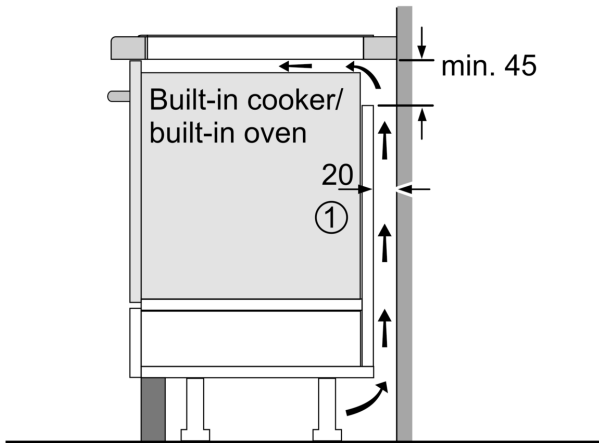
**The induction hob: cook fast, clean and safely while using very little energy**

- **17 Power Levels for Each Cooking Zone**
- **TouchSelect: Selection of the desired cooking zone and easy setting of the desired power level**
- **Front Bevel: Elegant, appealing design with bevelled front.**
- **Power Boost: up to 35% faster heating compared to highest power level.**
- **Quick Start: start straight away and select the desired cooking level.**

Product name/family: ..... Cooking zone ceramic  
 Built-in / Free-standing: ..... Built-in  
 Energy input: ..... Electric  
 Total number of positions that can be used at the same time: ..... 3  
 Min. required niche size for installation (HxWxD): ..... 51 x 560-560 x 490-500 mm  
 Width of the appliance: ..... 592 mm  
 Dimensions (HxWxD): ..... 51 x 592 x 522 mm  
 Dimensions of the packed product (HxWxD): ..... 126 x 753 x 603 mm  
 Net weight: ..... 12.5 kg  
 Gross weight: ..... 14.6 kg  
 Residual heat indicator: ..... Separate  
 Location of control panel: ..... Hob front  
 Basic surface material: ..... Ceramic  
 Color of surface: ..... Black  
 Length electrical supply cord: ..... 110.0 cm  
 Sealed Burners: ..... No  
 Heating with booster: ..... All  
 Power of 2nd heating element (kW): ..... 2.2 ; 2.6 ; 3.3 kW  
 Power of 5th heating element (kW): ..... 1.4 kW  
 Power of 5th heating element (kW in boost): ..... [2.2] kW  
 Connection rating: ..... 7400 W  
 Voltage: ..... 220-240 V  
 Frequency: ..... 60; 50 Hz  
 Energy input: ..... Electric  
 Plug type: ..... no plug  
 Appliance Dimensions (h x w x d) (in): ..... x x  
 Dimensions of the packed product: ..... 4.96 x 23.74 x 29.64  
 Net weight: ..... 27.000 lbs  
 Gross weight: ..... 32.000 lbs  
 Total number of positions that can be used at the same time: ..... 3  
 Length electrical supply cord: ..... 110.0 cm  
 Min. required niche size for installation (HxWxD): ..... 51 x 560-560 x 490-500 mm  
 Dimensions (HxWxD): ..... 51 x 592 x 522 mm  
 Dimensions of the packed product (HxWxD): ..... 126 x 753 x 603 mm  
 Net weight: ..... 12.5 kg  
 Gross weight: ..... 14.6 kg

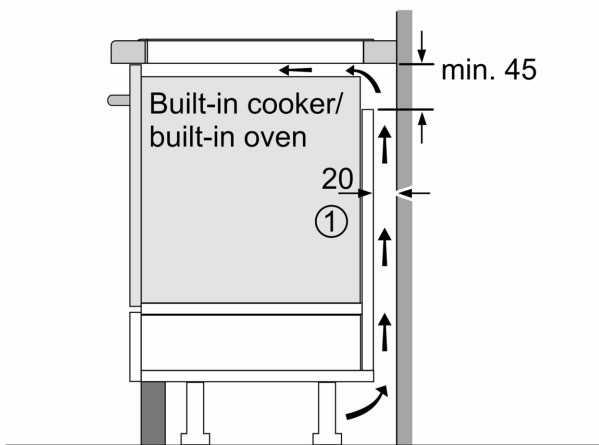
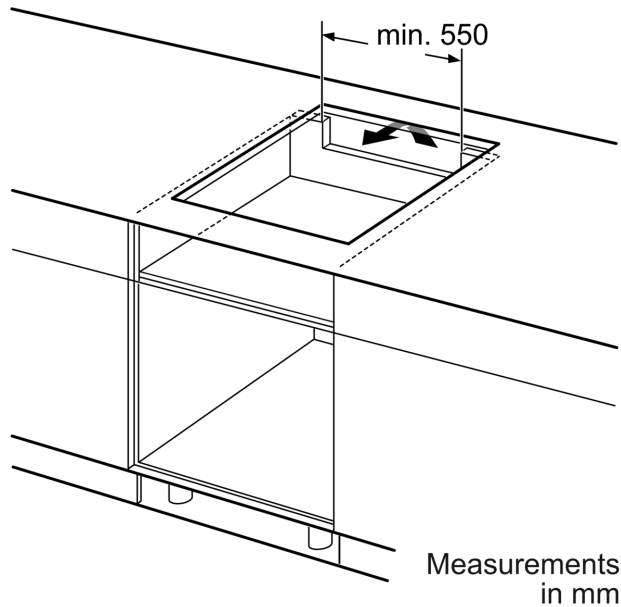


**Series 4, Induction Hob, 60 cm,  
Black,  
PID631BB1E**



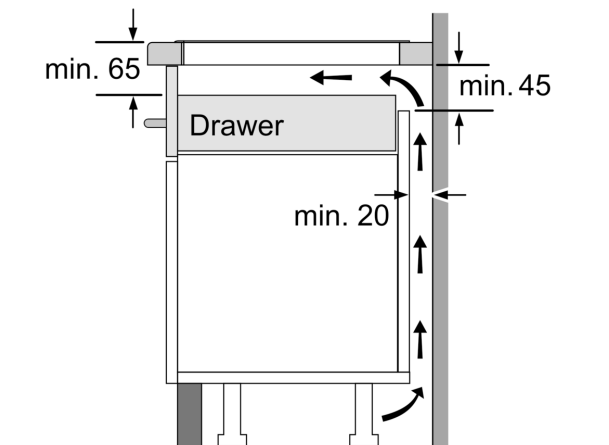
①  
Ventilation gap must  
be present

All measurements in mm



①  
Ventilation gap must  
be present

All measurements in mm



Measurements in mm