

**Serie | 6, Built-in Bottom Freezer,
177.2 x 55.8 cm
KIS87AF30T**



Included accessories

2 x cold accumulator
2 x egg tray
1 x ice cube tray

**A premium bottom freezer refrigerator
with VitaFresh plus to ensure your
vegetables and fruits last longer**

- **LED interior light:** Illuminates the refrigerator evenly and glare-free, and lasts for its entire life.
- **VarioZone:** more flexibility due to variable-use glass shelves and drawers in the freezer compartment.
- **BigBox frozen drawer:** for stacking storage containers or for large frozen food items
- **EasyAccess Shelf:** retractable glass shelf for convenient loading and unloading and a perfect view.
- **LowFrost:** defrost less often thanks to lower ice formation - saves work and is energy-efficient.

Technical Data

Built-in / Free-standing :	Built-in
Number of compressors :	1
Number of independent cooling systems :	2
Width of the appliance :	558
Depth of the product :	545
Net weight (kg) :	71.640
Required niche size for installation (HxWxD) :	1775.0 x 560 x 550
Door panel options :	Not possible
Door hinge :	Right reversible
Number of Adjustable Shelves in fridge compartment :	4
Shelves for Bottles :	No
Frost free system :	No
Interior ventilator :	Yes
Reversible Door Hinge :	Yes
Length electrical supply cord (cm) :	230
Noise level (dB(A) re 1 pW) :	38
Multi-Flow Air Tower :	No
Fast cooling switch :	Yes
Fast freezing switch :	No
Temperature Controlled Drawer :	No
Humidity Control Drawer :	No
Number of Door Bins - Refrigerator :	4
Door bin adjustability - Refrigerator :	No
Tilt-out door bins in fridge :	No
Gallon Storage :	Yes
Number of Gallon storage :	1
Motorized Shelf :	No
Door opened indicator freezer :	Yes
Drawers with telescopic rails :	none
Automatic motor-driven ice-maker :	No
Connection Rating (W) :	90
Current (A) :	10
Voltage (V) :	220-240
Frequency (Hz) :	50
Freezing capacity (kg) :	5
Storage Period in Event of Power Failure (h) :	26
Approval certificates :	CE, VDE
Main colour of product :	N/A
Door panel options :	Not possible
Noise level (dB(A) re 1 pW) :	38
Energy Star Qualified :	No
Approval certificates :	CE, VDE
Plug type :	GB plug
Required cutout/niche size for installation (in) :	x x
Dimensions of the packed product (in) :	72.44 x 24.40 x 25.19
Net weight (lbs) :	158.000
Gross weight (lbs) :	170.000



**Serie | 6, Built-in Bottom Freezer, 177.2 x 55.8 cm
KIS87AF30T**

A premium bottom freezer refrigerator with VitaFresh plus to ensure your vegetables and fruits last longer

Technical Information

- Appliance Height: 1772 mm Appliance Width: 558 mm Appliance Depth: 545 mm
- Niche Dimension H X W x D: 177.5 cm cm x 56 cm x 55 cm
- Door right hinged, reversible
- Connected load 90 W

Accessories

- cold accumulator egg tray ice cube tray
- bottle holder

General Data

- Net Capacity (Total) : 271 L
- Gross Capacity (Total): 276L
- Noise level: 38 dB

Design and Styling

- LED interior light in fridge section

Convenience & Safety

- Constant temperature by intelligent sensor technology
- Two Cooling Systems
- Supercool function
- Automatic switch off
- Holiday mode
- Acoustic warning system
- Active warning system at temperature increase, Failure Memory Function

Fridge Compartment

- 2 VitaFresh Plus box so fish and meat stay fresh for longer.
- Net capacity refrigeration zone: 210 l
- Gross capacity cooling: 212 l
- 5 safety glass shelves (4 height adjustable), of which Bottom shelf, Extendable glass shelf
- 5 door bins, there of 1x dairy compartment

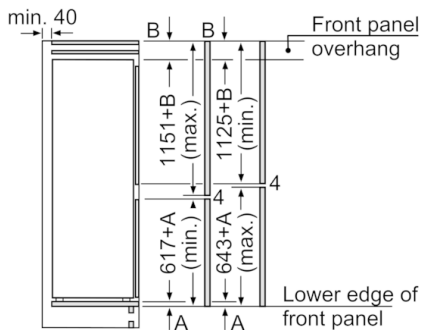
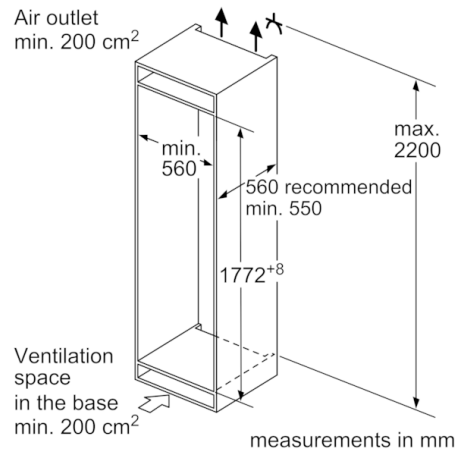
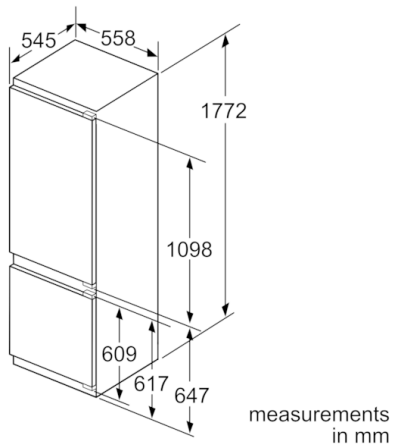
Freshness System

- 1cont. hydrofresh with humidity control - keeps fruit and vegetables up to 2 x longer fresh!

Freezer Compartment

- Low Frost: yes
- Net Capacity (Freezer): 61 L
- Gross capacity**** freezer: 64 l (-18°C and below)
- Freezing capacity: 5 kg in 24 hours
- Storage time in power failure: 26 h
- Safety glass
- 2 transparent freezer drawers, incl.1
- Calendar frozen food

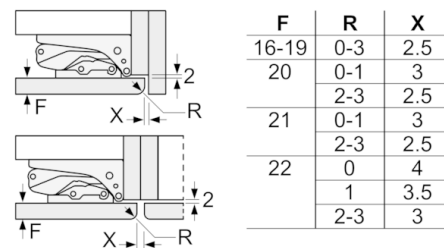
**Serie | 6, Built-in Bottom Freezer, 177.2 x 55.8 cm
KIS87AF30T**



The specified unit door dimensions are valid for a door gap of 4 mm.

measurements in mm

measurements in mm
Recommended gap dimensions for flat hinges



F	R	X
16-19	0-3	2.5
20	0-1	3
	2-3	2.5
21	0-1	3
	2-3	2.5
22	0	4
	1	3.5
	2-3	3

The gap dimensions recommended in the table must be adhered to in order to ensure that appliance doors do not collide with anything when they are opened, and to avoid causing damage to kitchen units.