

**Series 6, Built-in Bottom Freezer,
177.2 x 55.8 cm, flat hinge
KIN86AF300**



KS10Z010	Snackbox
KS10Z020	Bottle Rack
KSZ10010	Snackbox
KSZ10020	Bottle Rack

**A premium bottom freezer refrigerator
with VitaFresh plus to ensure your
vegetables and fruits last longer**

- **LED Lighting:** keep your groceries in perfect view.
- **VarioZone:** more flexibility due to variable-use glass shelves and drawers in the freezer compartment.
- **Big Box drawer:** for stacking storage containers or for large frozen food items.
- **EasyAccess Shelf:** retractable glass shelf for convenient loading and unloading and a perfect view.
- **VarioShelf:** space for bottles and bowls with sectioned glass shelves that can be separated and slid underneath.

Built-in / Free-standing:	Built-in
Number of compressors:	1
Number of independent cooling systems:	2
Width of the appliance:	558 mm
Height:	1772 mm
Depth of the product:	545 mm
Net weight:	70.8 kg
Min. required niche size for installation (HxWxD):	1775.0 x 560 x 550 mm
Door panel options:	Not possible
Door hinge:	Right reversible
Number of Adjustable Shelves in fridge compartment:	4
Shelves for Bottles:	No
Frost free system:	Fridge
Interior ventilator:	Yes
Reversible Door Hinge:	Yes
Length electrical supply cord:	230.0 cm
Noise level:	38 dB(A) re 1 pW
Multi-Flow Air Tower:	No
Fast cooling switch:	Yes
Fast freezing switch:	No
Temperature Controlled Drawer:	No
Humidity Control Drawer:	Yes
Number of door bins - Refrigerator:	4
Door bin adjustability - Refrigerator:	Yes
Tilt-out door bins in fridge:	Yes
Gallon Storage:	Yes
Number of Gallon storage:	1
Motorized Shelf:	No
Material of the shelves:	Safety glass
Door opened indicator freezer:	No
Automatic motor-driven ice-maker:	No
Connection rating:	90 W
Fuse protection:	10 A
Voltage:	220-240 V
Frequency:	50-60 Hz
Storage Period in Event of Power Failure (h):	13 h
Door panel options:	Not possible
Noise level:	38 dB(A) re 1 pW
Energy Star Qualified:	No
Plug type:	GB plug
Required cutout/niche size for installation (in):	x
Dimensions of the packed product:	72.45 x 24.01 x 25.19
Net weight:	156.000 lbs
Gross weight:	168.000 lbs



Series 6, Built-in Bottom Freezer, 177.2 x 55.8 cm, flat hinge KIN86AF300

A premium bottom freezer refrigerator with VitaFresh plus to ensure your vegetables and fruits last longer

General Data

- Gross Capacity: 273 l
- Net Capacity (Total): 254L
- Net Capacity (Fridge): 187L
- Net Capacity (Freezer): 67 L
- Energy Efficiency Rating: A++ Star Rating
- Dimensions (HxWxD): 177.2 cm x 55.8 cm x 54.5 cm
- Gross Weight: 76 kg
- Net Weight: 70.8 kg

Cooling System

- Automatic defrost cooling system
- Power ventilation for uniform air circulation
- Supercooling - Automatically brings down the temperature of the refrigerator to cool new groceries rapidly.
- Superfreezing - Automatically brings down the temperature of the freezer to keep cool new items rapidly.

Convenience & Safety

- Electronic Temperature Control
- Separate temperature controls for Fridge and Freezer
- LED illumination in fridge
- No frost freezer

Fridge Compartment

- 1 VitaFresh Plus drawer keeps food fresh for up to twice as long
- 5 safety glass shelves
- 1 Large door trays (Large)
- 3 Small door trays (Small)
- 1 Dairy compartment

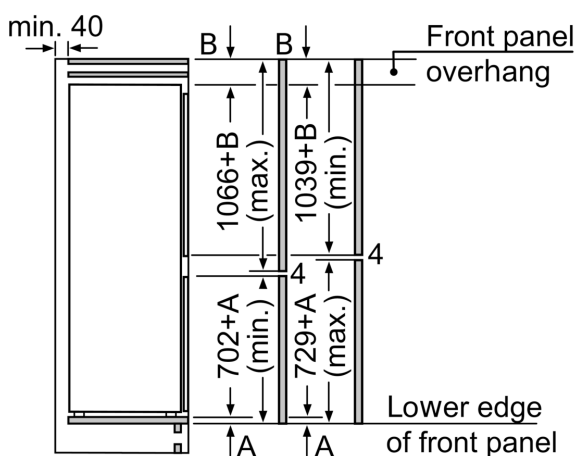
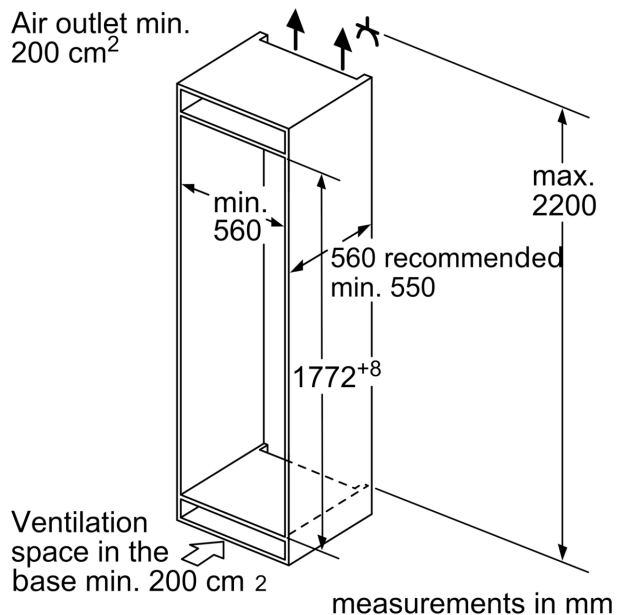
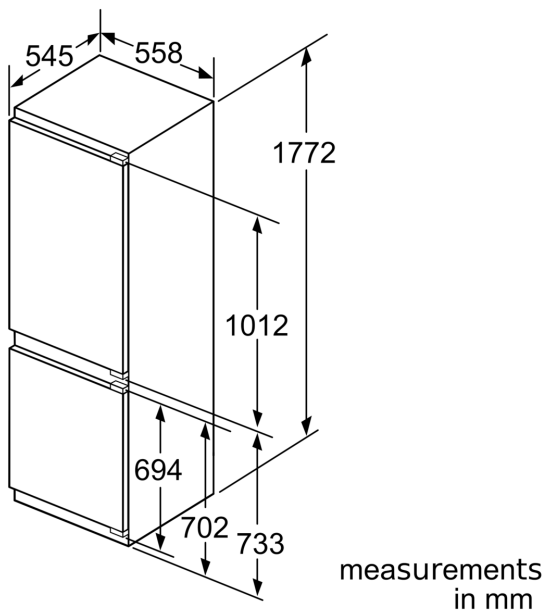
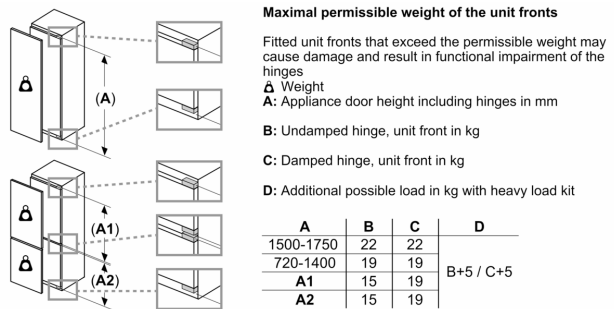
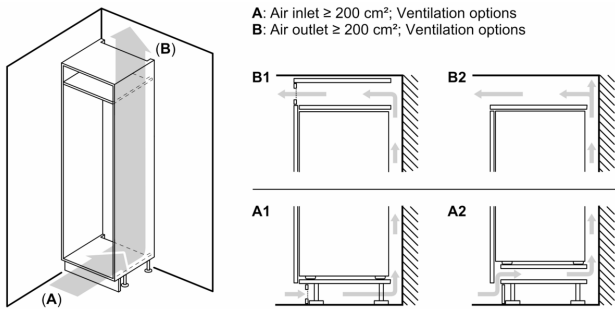
Freezer Compartment

- 3 Pull-out drawers, including 1 easy access freezer box
- Freezing Capacity: 8 kg/ 24h

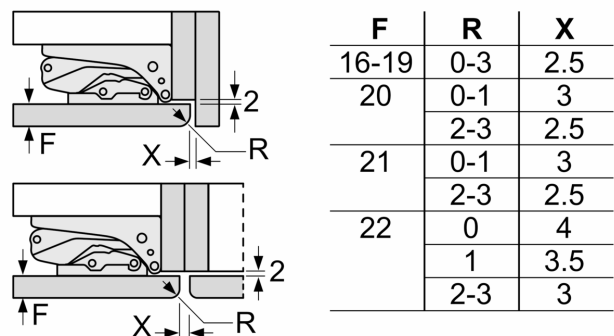
Accessories

- egg tray, cold accumulator, ice cube tray

**Series 6, Built-in Bottom Freezer,
177.2 x 55.8 cm, flat hinge
KIN86AF300**



measurements in mm
Recommended gap dimensions for flat hinges



The specified unit door dimensions are valid for a door gap of 4 mm.
measurements in mm

The gap dimensions recommended in the table must be adhered to in order to ensure that appliance doors do not collide with anything when they are opened, and to avoid causing damage to kitchen units.