

**Series 4, American side by side,
178.7 x 90.8 cm, Stainless steel
(with anti-fingerprint)
KAN93VIFPG**



**The NoFrost side-by-side fridge-freezer
with indoor electronics: provides a
modern door display and saves you from
defrosting**

- **Intelligent Inverter Technology**
- **LED interior light:** Illuminates the refrigerator evenly and glare-free, and lasts for its entire life.
- **VarioZone:** more flexibility due to variable-use glass shelves and drawers in the freezer compartment.
- **HolidayMode:** protecting frozen foods and preventing energy wastage in the fridge.
- **SuperCooling:** cools new food placed inside faster, thus protecting already cooled food.

Energy label:	F
Average annual energy consumption:	413 kWh/annum
Capacity frozen compartments:	208 l
Capacity chill compartments:	372 l
Noise level:	42 dB(A) re 1 pW
Noise level class:	D
Built-in / Free-standing:	Free-standing
Number of compressors:	1
Number of independent cooling systems:	1
Width of the appliance:	908 mm
Height:	1787 mm
Depth of the product:	707 mm
Net weight:	96.4 kg
Door panel options:	Not possible
Door hinge:	left and right
Number of Adjustable Shelves in fridge compartment:	0
Shelves for Bottles:	No
Frost free system:	Freezer
Interior ventilator:	No
Reversible Door Hinge:	No
Length electrical supply cord:	200.0 cm
Noise level:	42 dB(A) re 1 pW
Multi-Flow Air Tower:	Yes
Fast cooling switch:	Yes
Fast freezing switch:	Yes
Carbon Air Filter:	No
Temperature Controlled Drawer:	No
Humidity Control Drawer:	No
Number of door bins - Refrigerator:	5
Door bin adjustability - Refrigerator:	No
Tilt-out door bins in fridge:	No
Number of Gallon storage:	3
Number of shelves - Freezer:	0
Shelf Adjustability - Freezer:	Yes
Connection rating:	230 W
Fuse protection:	13 A
Voltage:	220-240 V
Frequency:	50 Hz
Storage Period in Event of Power Failure (h):	4 h
Color / Material body:	Grey
Door panel options:	Not possible
Noise level:	42 dB(A) re 1 pW
Energy Star Qualified:	No
Required cutout/niche size for installation (in):	x
Dimensions of the packed product:	73.62 x 37.79 x 30.70
Net weight:	212.000 lbs
Gross weight:	236.000 lbs



**Series 4, American side by side,
178.7 x 90.8 cm, Stainless steel
(with anti-fingerprint)
KAN93VIFPG**

**The NoFrost side-by-side fridge-freezer
with indoor electronics: provides a
modern door display and saves you from
defrosting**

General Data

- Net Capacity (Total) : 560 L
- Net Capacity (Fridge) : 371 L
- Net Capacity (Freezer) : 189 L

Design and Styling

- Door inox EasyClean, side panels Grey
- Vertical bar handle, aluminium

Convenience & Safety

- NoFrost - never again defrosting!
- Separate temperature controls for Fridge and Freezer
- Supercool function
- Automatic switch off
- Optical and acoustic door open warning system

Fridge Compartment

- Multi Airflow-System
- 5 safety glass shelves
- 3 door trays

Freezer Compartment

- Easy twist ice box
- 2 transparent freezer drawers
- 5 door trays in the freezing compartment

Appliance Dimension

- Appliance Height: 1787 mm
- Appliance Width: 908 mm
- Appliance Depth: 707 mm

Technical Information

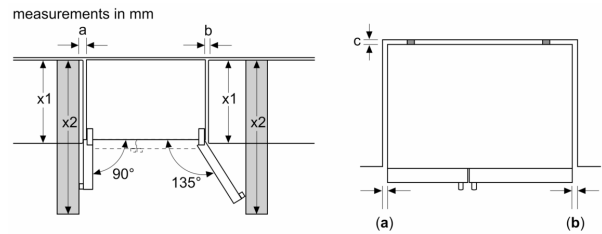
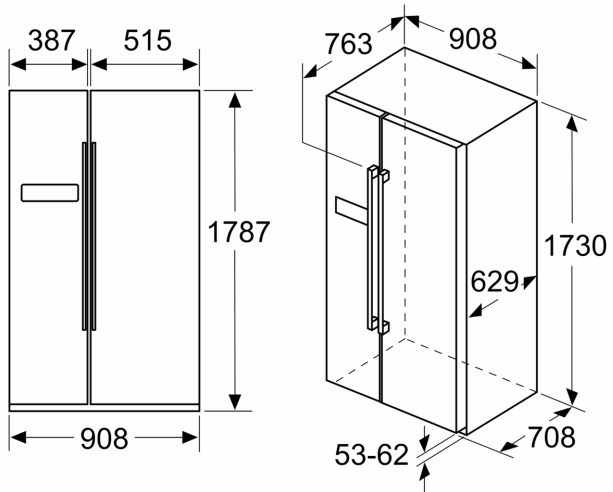
- Connected load 230 W
- Voltage 220 - 240 V

Accessories

- egg tray

**Series 4, American side by side,
178.7 x 90.8 cm, Stainless steel
(with anti-fingerprint)
KAN93VIFPG**

Measurements in mm



x1 (unit depth)	a	b
600	20	26