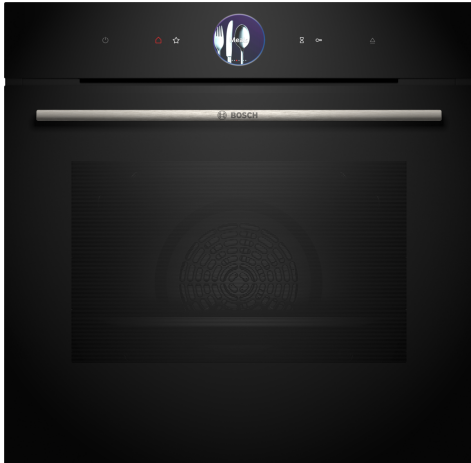


Series 8, Built-in Oven with Steam Function, 60 x 60 cm, Black HSG7364B1



1 x enamel baking tray, 1 x grid, 1 x universal pan, 1 x steam container, size XL, punched, 1 x Steam container, unpunched, size M

HEZ635001 AirFry & Grill Set, HEZ636000 Glass pan, HEZ638D00 Full ext rails, level independent, steam, HEZ660060 Strip, HEZ664000 Baking and roasting grid (steam), HEZ66D52 2 steamcontainer(punched/unpunched)sizeM, HEZ915003 Glass roasting dish, 5,4 L, HEZG0AS00 Connecting cable 3m, HEZ32WA00 Wireless food thermometer, HEZ530000 Half tray, HEZ531010 Baking tray, non-stick ceramic coated, HEZ532010 Universal pan, non-stick ceramic coated, HEZ617000 Pizza pan, enamelled, HEZ629070 Air Fry & Grill tray, HEZ631070 Baking tray, enamelled, HEZ632070 Multipurpose pan, enamelled, HEZ633001 Lid for professional pan, enamelled, HEZ633070 Professional pan, enamelled, HEZ633073 Professional pan, enamelled

The built-in steam oven with Digital Control Ring and TFT-touchdisplay. Assist function for meals, PerfectBake Plus, PerfectRoast Plus: for automatically perfect dishes, moist steam baking and gentle steaming. Home Connect for control via the App.

- **Digital Control Ring:** the simple and innovative way to select oven settings.
- **TFT Touch Display Plus:** control with an innovative Digital Control Ring and enlarged TFT touchscreen
- **Perfect Steam:** to bake bread or roast chicken with added steam for more crisp and moisture.
- **Air Fry Function:** for perfectly fried foods, such as vegetables and chips.
- **Oven Assistant with Voice Control:** easily set the right programme.

Gross weight: 95.000 lbs
 Built-in / Free-standing: Built-in
 Door opening: Drop down
 Min. required niche size for installation (HxWxD): 585-595 x 560-568 x 550 mm
 Dimensions (HxWxD): 595 x 594 x 548 mm
 Dimensions of the packed product (HxWxD): 675 x 660 x 690 mm
 Control Panel Material: Glass
 Door Material: Glass
 Net weight: 40.4 kg
 Length electrical supply cord: 120.0 cm
 Cooking method: Defrost, - Steam 100%, - Fermentation, - Regeneration, 4D hot air, Air fry, Full width grill, Hotair gentle, Half width grill, Conventional heat, Conventional heat gentle, Pizza setting, low temperature cooking, Bottom heat, Hot air grilling, pre-heating, warming
 Time-setting Options: Start and Stop
 Fuse protection: 16 A
 Voltage: 220-240 V
 Frequency: 50; 60 Hz
 Plug type: Gardy plug w/ earthing
 Energy input: Electric
 Fuse protection: 16 A
 Voltage: 220-240 V
 Frequency: 50; 60 Hz
 Plug type: Gardy plug w/ earthing
 Dimensions of the packed product: 26.57 x 25.98 x 27.16
 Net weight: 89.000 lbs
 Included accessories: . 1 x enamel baking tray, 1 x grid, 1 x universal pan, 1 x steam container, punched, size XL, 1 x Steam container, punched, size M, 1 x Steam container, unpunched, size M



Series 8, Built-in Oven with Steam Function, 60 x 60 cm, Black HSG7364B1

The built-in steam oven with Digital Control Ring and TFT-touchdisplay. Assist function for meals, PerfectBake Plus, PerfectRoast Plus: for automatically perfect dishes, moist steam baking and gentle steaming. Home Connect for control via the App.

Heating Functions

- Cavity volume: 71 l
- Combi-steam oven with 21 heating methods: - 4D hot air, - Top/bottom heat, - Hot air grilling, - Full width grill, - Half width grill, - Pizza setting, - Bottom heat, - Slow cooking, Plate warming, - Keep warm, - Hotair gentle, Conventional heat gentle, - Steam 100%, - Regeneration, - Fermentation, - Defrost, Hot air grilling, warming, 4D Hot air, Conventional heat
- Temperature range 30°C - 250°C
- 120 °C

Hook-in racks / rails

- 5 shelf positions
- Large capacity oven with shelf supports

Design

- Touch control
- Digital Control Ring
- Cavity inner surface: enamel anthracite

Cleaning

- EcoClean coating: back panel
- Oven cleaning program: Cleaning aid

Comfort

- Oven Assistant with Voice Control
- Electronic clock with timer
- Actual temperature display
- Digital temperature display with proposal Heating-up indicator Meat probe remaining time prediction
- Drop down door, SoftClose, SoftOpen
- Supporting systems: Dish categories
- Fast pre-heating function
- steam boost - add for 3min intensive steam with a touch of a button.
- There are different steam intensities selectable: steam level high, steam level middle, steam level low
- LED light, Switch for oven illumination
- Water level indicator
- Location of the steam generator is outside of the cavity
- Integral cooling fan
- HomeConnect ready on WLAN

Accessories

- 1 x enamel baking tray, 1 x Steam container, punched, size M, 1 x steam container, punched, size XL, 1 x Steam container,

unpunched, size M, 1 x grid, 1 x universal pan

Environment and Safety

- Maximum window temperature 40°C
- Triple glazed glazed CoolTouch door
- Childproof lock
- Automatic switch off Residual heat indicator Start button Door contact switch

Technical Info

- Length of mains cable: 120 cm
- Nominal voltage: 220 - 240 V
- Electrical connection rating: 3600 W
- Energy efficiency rating (acc. EU Nr. 65/2014): A+(at a range of energy efficiency classes from A+++ to D)
- Energy consumption per cycle in conventional mode:0.87 kWh
- Energy consumption per cycle in fan-forced convection mode:0.69 kWh
- Number of cavities: 1 Heat source: electrical Cavity volume:71 l

Dimensions:

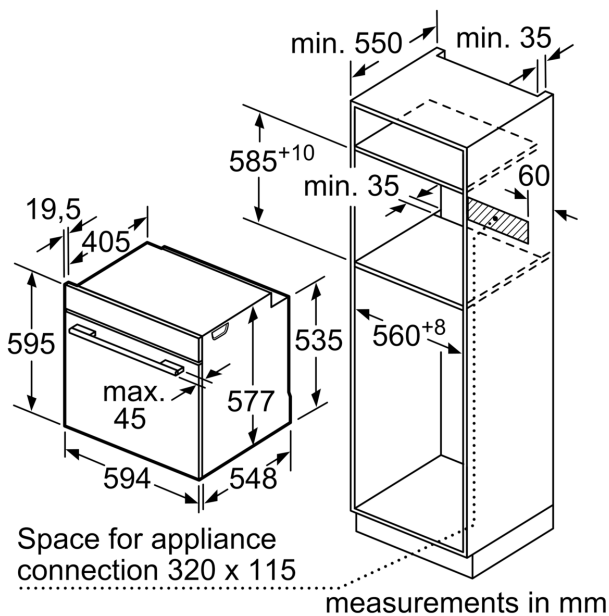
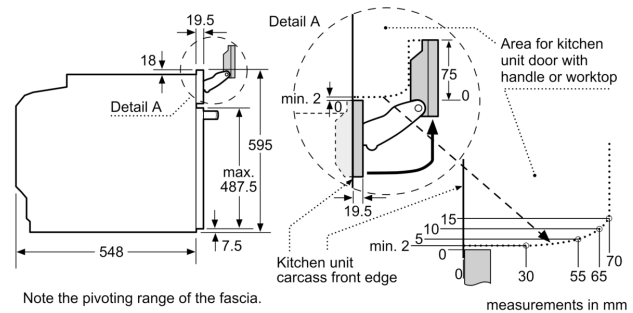
- Dimensions of the product (HxWxD mm) : 595 x 594 x 548
- Niche dimension (HxWxD): 585 mm - 595 mm x 560 mm - 568 mm x 550 mm
- "Please refer to the built-in dimensions provided in the installation drawing"

Series 8, Built-in Oven with Steam Function, 60 x 60 cm, Black HSG7364B1

Installing two appliances on top of each other
Air exchange



A: Air inlet $\geq 200 \text{ cm}^2$



If the appliance will be installed underneath a hob, the following worktop thicknesses (including substructure if necessary) must be taken into account.

Hob type	min. worktop thickness	
	fitted	flush
Induction hob	37 mm	38 mm
Full surface Induction hob	47 mm	48 mm
Gas hob	30 mm	38 mm
Electric hob	27 mm	30 mm

