

Series 8, Built-in oven with steam function, 60 x 60 cm, Stainless steel HSG636ES1



1 x enamel baking tray, 1 x grid, 1 x universal pan, punched, size XL,
1 x steam container, unpunched, size S

HEZ532010 Universal pan, non-stick ceramic coated, HEZ617000
Pizza pan, enamelled, HEZ625071 Grill tray, anthracite, HEZ631070
Baking tray, enamelled, HEZ36D163 Steam container, unpunched,
size S, HEZ36D163G Steam container, punched, size S, HEZ530000
Half tray, HEZ531010 Baking tray, non-stick ceramic coated,
HEZ632070 Multipurpose pan, enamelled, HEZ633001 Lid for
professional pan, enamelled, HEZ633070 Professional pan,
enamelled, HEZ635000 Barbecue-Set, HEZ636000 Glass pan,
HEZ638D30 3 level telescopic rails, full ext, steam, HEZ660050 Cover
Strip, HEZ664000 Baking and roasting grid (steam), HEZ915003
Glass roasting dish, 5,4 L, HEZG0AS00 Connecting cable 3m

The steam oven with PerfectBake and PerfectRoast: you get perfect results, automatically and gently

- **TFT touchscreen control:** easy-to-use thanks to the control ring with full text and images
- **Flap door with SoftClose:** the oven door closes especially gently and quietly.
- **EcoClean Direct:** almost no cleaning is necessary thanks to a special coating of the rear wall that automatically absorbs grime.
- **DishAssist:** automatic setting of the optimal type of heat, temperature and time for countless dishes.

Gross weight: 97.000 lbs
Built-in / Free-standing: Built-in
Door opening: Drop down
Min. required niche size for installation (HxWxD): 585-595 x 560-568 x 550 mm
Dimensions (HxWxD): 595 x 594 x 548 mm
Dimensions of the packed product (HxWxD): 675 x 660 x 690 mm
Control Panel Material: Stainless steel
Door Material: Glass
Net weight: 41.5 kg
Length electrical supply cord: 120.0 cm
Cooking method: Defrost, - Steam 100%, - Fermentation, - Regeneration, 4D hot air, Full width grill, Hot Air-Eco, Half width grill, Conventional heat, Conventional heat ECO, Pizza setting, low temperature cooking, Bottom heat, Hot air grilling, pre-heating, warming
Time-setting Options: Start and Stop
Fuse protection: 16 A
Voltage: 220-240 V
Frequency: 60; 50 Hz
Plug type: Gardy plug w/ earthing
Energy input: Electric
Fuse protection: 16 A
Voltage: 220-240 V
Frequency: 60; 50 Hz
Plug type: Gardy plug w/ earthing
Dimensions of the packed product: 26.57 x 25.98 x 27.16
Net weight: 92.000 lbs
Included accessories: . 1 x enamel baking tray, 1 x grid, 1 x universal pan, 1 x steam container, punched, size S, 1 x steam container, punched, size XL, 1 x steam container, unpunched, size S



Series 8, Built-in oven with steam function, 60 x 60 cm, Stainless steel HSG636ES1

The steam oven with PerfectBake and PerfectRoast: you get perfect results, automatically and gently

Heating Functions

- Combi-steam oven with 12 heating methods: - 4D hot air - Hot Air Eco - Top/bottom heat - Top/Bottom Eco - Hot air grilling - Full width grill - Half width grill - Pizza setting - Bottom heat - Slow cooking Plate warming - Hold warm
- Additional heating methods with steam: - Steam 100% - Regeneration - Fermentation - Defrost
- Temperature range 30°C - 250°C
- Cavity volume: 71 l

Design

Cleaning

- EcoClean coating: back panel

Comfort

- Additional functions: - Descaling programme - Automatic boiling point detection - Drying function
- Supporting systems: Dish categories
 - - Baking sensor - Multipoint temperature probe
- Electronic clock with timer
- Rapid heating-up
- LED light, Switch for oven illumination
- Water tank with 1 l
- Water level indicator
- Outside cavity
- Integral cooling fan

Hook-in racks / rails

Accessories

- 1 x universal pan, 1 x enamel baking tray, 1 x grid, 1 x steam container, punched, size XL, 1 x steam container, punched, size S, 1 x steam container, unpunched, size S

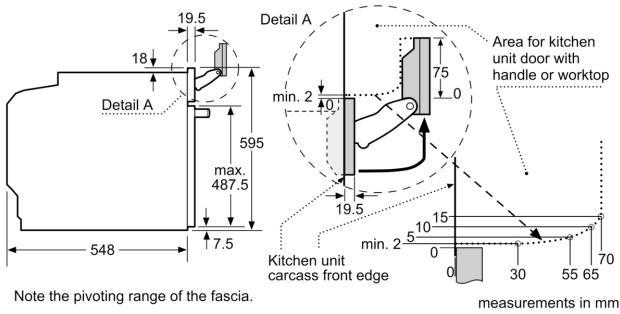
Environment and Safety

- Childproof lock Automatic switch off Residual heat indicator Start button Door contact switch

Technical Info

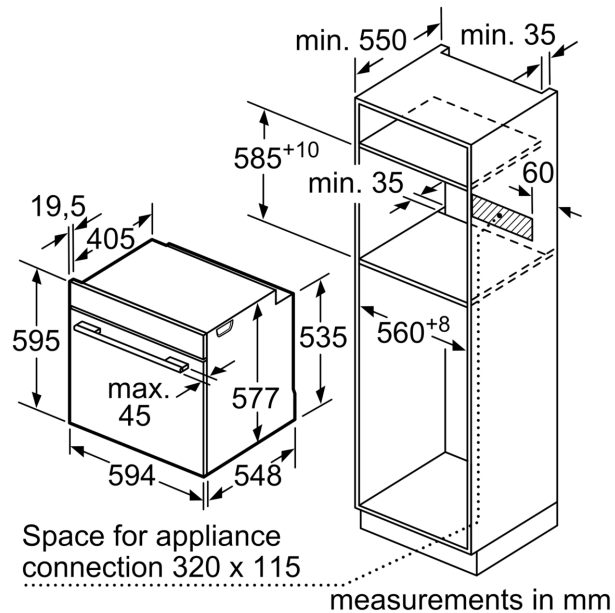
- Length of mains cable: 120 cm
- Total connected load electric: 3.6 KW
- Appliance dimension (HxWxD): 595 mm x 594 mm x 548 mm
- Niche dimension (HxWxD): 585 mm - 595 mm x 560 mm - 568 mm x 550 mm
- "Please refer to the built-in dimensions provided in the installation drawing"

Series 8, Built-in oven with steam function, 60 x 60 cm, Stainless steel HSG636ES1



Note the pivoting range of the fascia.

measurements in mm

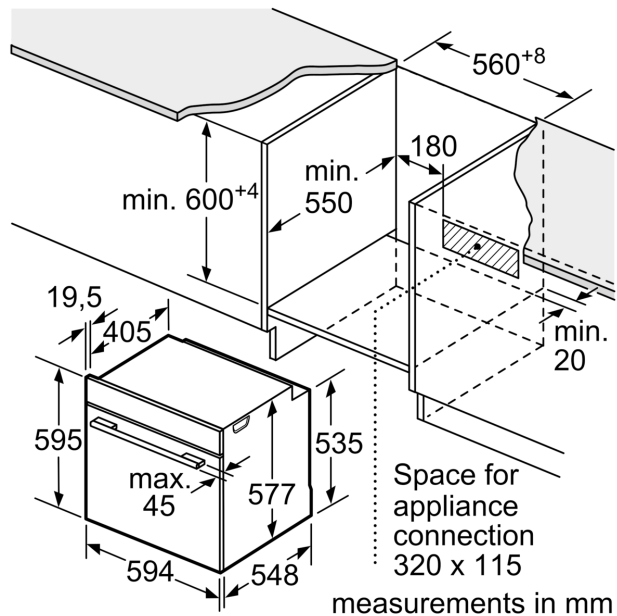


Space for appliance connection 320 x 115

measurements in mm

If the appliance will be installed underneath a hob, the following worktop thicknesses (including substructure if necessary) must be taken into account.

Hob type	min. worktop thickness	
	fitted	flush
Induction hob	37 mm	38 mm
Full surface Induction hob	47 mm	48 mm
Gas hob	30 mm	38 mm
Electric hob	27 mm	30 mm



Space for appliance connection 320 x 115

measurements in mm