

Series 6, Built-in Oven with Added Steam Function, 60 x 60 cm, NeoKlassik HIJN17EB0R



Included accessories

1 x combination grid
1 x universal pan
2 x Universal pan
slim size

The built-in oven with AutoPilot and added steam: automatically prepares your dishes so they're crispy and juicy.

- **3D Hotair:** even heat distribution for perfect results on up to three levels.
- **AutoPilot 10:** every dish is a perfect success thanks to 10 pre-set automatic programmes.
- **1-stage normal telescopic rails:** for safe, easy insertion and removal of baking trays.
- **2 universal pans, slim size:** optimized for smaller amounts of different dishes.

Technical Data

Gross weight : 37.0 kg
Built-in / Free-standing : Built-in
Cleaning : Hydrolytic
Min. required niche size for installation (HxWxD) : 575-597 x 560-568 x 550 mm
Dimensions (HxWxD) : 595 x 594 x 548 mm
Dimensions of the packed product (HxWxD) : 670 x 680 x 640 mm
Control Panel Material : Glass
Door Material : Glass
Net weight : 34.9 kg
Usable volume of cavity : 66 l
Cooking method : Bottom heat, Full width variable grill, Hot Air, Hotair gentle, - Hot air grilling, - Pizza setting, - Top/bottom heat
First cavity material : Other
Number of interior lights : 1
Length electrical supply cord : 100.0 cm
Interior Lights - cavity 1 : 1
Pull out system : 1-level
Clock function : Alarm, Off, On
Included accessories : 1 x combination grid, 1 x universal pan, 2 x Universal pan, slim size
Broil Element Wattages cavity 1 : 2800 W
Energy label : A
Energy consumption per cycle conventional (2010/30/EC) : 0.98 kWh/cycle
Energy consumption per cycle forced air convection (2010/30/EC) : 0.79 kWh/cycle
Energy efficiency index (2010/30/EC) : 95.2 %
Connection Rating : 3300 W
Fuse protection : 16 A
Voltage : 220-240 V
Frequency : 50; 60 Hz
Plug type : GARDY plug w/ earthing
Energy input : Electric
Required cutout/niche size for installation (in) : x
Dimensions of the packed product : 26.37 x 25.19 x 26.77
Net weight : 77.000 lbs
Gross weight : 82.000 lbs
Length electrical supply cord : 100.0 cm
Net weight : 34.9 kg
Included accessories : 1 x combination grid, 1 x universal pan, 2 x Universal pan, slim size



Series 6, Built-in Oven with Added Steam Function, 60 x 60 cm, NeoKlassik HIJN17EB0R

The built-in oven with AutoPilot and added steam: automatically prepares your dishes so they're crispy and juicy.

Heating Functions

- Oven with 8 heating methods:
 - 3D hot air plus, - Top/bottom heat, - Hot air grilling, - Pizza setting, - Bottom heat, - Hot air gentle, - Full width variable grill, hot air + steam
- Temperature range 50 °C - 270 °C
- Cavity volume: 66 l

Hook-in racks / rails

- 5 shelf positions
- 1 level telescopic shelf

Design

- Rotary Control, Retractable rotary knobs, Round
- Cavity inner surface: enamel grey

Cleaning

- Oven cleaning program: Cleaning aid

Comfort

- Electronic clock with timer
- Fast heat
- AutoPilot 10
- Interior halogen light
- Integral cooling fan
- Straight bar handle

Accessories

- 2 x Universal pan, slim size, 1 x combination grid, 1 x universal pan

Environment and Safety

- Childproof lock
- Residual heat indicator
- Triple glass door

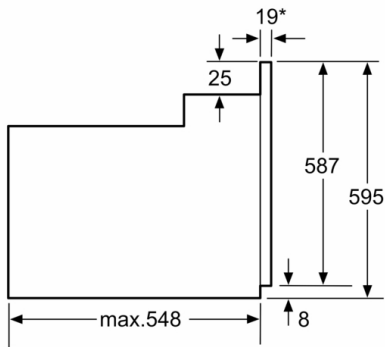
Technical Info

- Length of mains cable: 100 cm
- Nominal voltage: 220 - 240 V
- Electrical connection rating: 3300 W
- Energy efficiency rating (acc. EU Nr. 65/2014): A (at a range of energy efficiency classes from A+++ to D)
Energy consumption per cycle in conventional mode: 0.98 kWh
Energy consumption per cycle in fan-forced convection mode: 0.79 kWh
Number of cavities: 1 Heat source: electrical Cavity volume: 66 l

Dimensions:

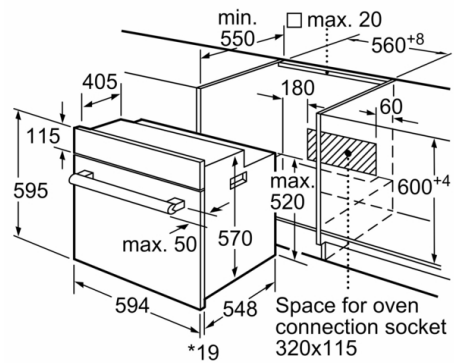
- Dimensions of the product (HxWxD mm) : 595 x 594 x 548
- Niche dimension (HxWxD): 575 mm - 597 mm x 560 mm - 568 mm x 550 mm
- "Please refer to the built-in dimensions provided in the installation drawing"

**Series 6, Built-in Oven with Added Steam
Function, 60 x 60 cm, NeoKlassik
HIJN17EB0R**



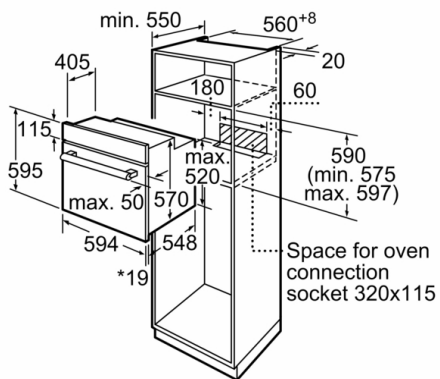
* 20 mm for metal fascias

Dimensions in mm



* 20 mm for metal fascias

measurements in mm



* 20 mm for metal fascias

measurements in mm