

**Series 8, Built-in Oven, 60 x 60 cm,  
Black  
HBG7764B1**



**The built-in oven with Digital Control Ring and TFT-touchdisplay, Assist function for meals, Air Fry, PerfectBake Plus, PerfectRoast Plus, Home Connect for control via the App.**

- **Digital Control Ring:** the simple and innovative way to select oven settings.
- **TFT Touch Display Plus:** control with an innovative Digital Control Ring and enlarged TFT touchscreen
- **Crisp Function:** for an even crispier finish.
- **Oven Assistant with Voice Control:** easily set the right programme.
- **Automatic Switch-off:** cooking process automatically stops as soon as the dish is done.

1 x enamel baking tray, 1 x combination grid, 1 x universal pan

HEZ327000 Pizza stone, HEZ32WA00 Wireless food thermometer, HEZ531010 Baking tray, non-stick ceramic coated, HEZ532010 Universal pan, non-stick ceramic coated, HEZ617000 Pizza pan, enamelled, HEZ629070 Air Fry & Grill tray, HEZ631070 Baking tray, enamelled, HEZ632070 Multipurpose pan, enamelled, HEZ633001 Lid for professional pan, enamelled, HEZ633070 Professional pan, enamelled, HEZ633073 Professional pan, enamelled, HEZ634000 Baking and roasting grid (standard), HEZ635001 AirFry & Grill Set, HEZ636000 Glass pan, HEZ638070 Full ext rails, level independent, pyro, HEZ660060 Strip, HEZ664000 Baking and roasting grid (steam), HEZ915003 Glass roasting dish, 5,4 L, HEZG0AS00 Connecting cable 3m

Gross weight: ..... 40.5 kg  
 Built-in / Free-standing: ..... Built-in  
 Cleaning: ..... Pyrolytic+Hydrolytic  
 Min. required niche size for installation (HxWxD): 585-595 x 560-568 x 550 mm  
 Dimensions (HxWxD): ..... 595 x 594 x 548 mm  
 Dimensions of the packed product (HxWxD): ..... 670 x 670 x 680 mm  
 Control Panel Material: ..... Glass  
 Door Material: ..... Glass  
 Net weight: ..... 38.1 kg  
 Usable volume of cavity: ..... 71 l  
 Cooking method: .. 4D hot air, Defrost, Air fry, Full width grill, Hot air gentle, Half width grill, Conventional heat, Conventional heat gentle, Pizza setting, low temperature cooking, Bottom heat, Hot air grilling, pre-heating, warming  
 Number of interior lights: ..... 1  
 Length electrical supply cord: ..... 120.0 cm  
 Interior Lights - cavity 1: ..... 1  
 Pull-out system: ..... Accessory  
 Included accessories: 1 x enamel baking tray, 1 x combination grid, 1 x universal pan  
 Broil Element Wattages cavity 1: ..... 2800 W  
 Convection Element Wattages cavity 1: ..... 2200 W  
 Energy efficiency rating: ..... A+  
 Energy consumption per cycle conventional (2010/30/EC): ..... 0.87 kWh/cycle  
 Energy consumption per cycle forced air convection (2010/30/EC): 69 kWh/cycle  
 Energy efficiency index (2010/30/EC): ..... 81.2 %  
 Connection rating: ..... 3600 W  
 Fuse protection: ..... 16 A  
 Voltage: ..... 220-240 V  
 Frequency: ..... 50; 60 Hz  
 Plug type: ..... GARDY plug w/ earthing  
 Energy input: ..... Electric  
 Required cutout/niche size for installation (in): ..... x  
 Dimensions of the packed product: ..... 26.37 x 26.37 x 26.77  
 Net weight: ..... 84.000 lbs  
 Gross weight: ..... 89.000 lbs  
 Length electrical supply cord: ..... 120.0 cm  
 Net weight: ..... 38.1 kg



## **Series 8, Built-in Oven, 60 x 60 cm, Black HBG7764B1**

**The built-in oven with Digital Control Ring and TFT-touchdisplay, Assist function for meals, Air Fry, PerfectBake Plus, PerfectRoast Plus, Home Connect for control via the App.**

### **Heating Functions**

- Cavity volume: 71 l
- Oven with 14 heating methods: - 4D hot air, - Top/bottom heat, - Hot air grilling, - Full width grill, - Half width grill, - Pizza setting, - Bottom heat, - Slow cooking, - Defrost setting, Plate warming, - Keep warm, - Hotair gentle, Conventional heat gentle, Air fry
- Temperature range 30 °C - 300 °C

### **Hook-in racks / rails**

- 5 shelf positions
- Large capacity oven with shelf supports, pyrolytic proof

### **Design**

- Touch control
- Digital Control Ring
- Cavity inner surface: enamel anthracite

### **Cleaning**

- Pyrolytic cleaning function
- Oven cleaning program: Cleaning aid
- Triple glass door

### **Comfort**

- Oven Assistant with Voice Control
- Electronic clock with timer
- Actual temperature display
- Digital temperature display with proposal Heating-up indicator  
Meat probe remaining time prediction
- Drop down door, SoftClose, SoftOpen
- Supporting systems: Dish categories
- Fast pre-heating function
- LED light, Switch for oven illumination
- Integral cooling fan
- HomeConnect ready on WLAN

### **Accessories**

- 1 x enamel baking tray, 1 x combination grid, 1 x universal pan

### **Environment and Safety**

- Maximum window temperature 30°C
- Low door temperature during pyrolytic cleaning
- 4 layer glazed CoolTouch door
- Electronic door lock
- Childproof lock Automatic switch off Residual heat indicator Start  
button Door contact switch

### **Technical Info**

- Length of mains cable: 120 cm
- Nominal voltage: 220 - 240 V

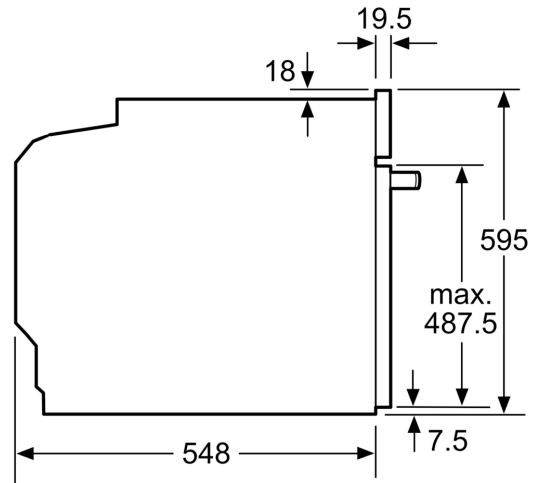
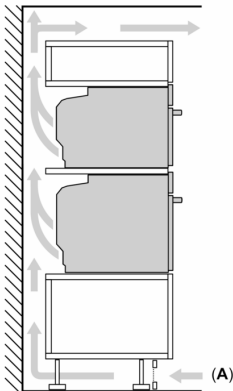
- Electrical connection rating: 3600 W
- Energy efficiency rating (acc. EU Nr. 65/2014): A+(at a range of energy efficiency classes from A+++ to D)
- Energy consumption per cycle in conventional mode:0.87 kWh
- Energy consumption per cycle in fan-forced convection mode:0.69 kWh
- Number of cavities: 1 Heat source: electrical Cavity volume:71 l

### **Dimensions:**

- Dimensions of the product (HxWxD mm) : 595 x 594 x 548
- Niche dimension (HxWxD): 585 mm - 595 mm x 560 mm - 568 mm x 550 mm
- "Please refer to the built-in dimensions provided in the installation drawing"

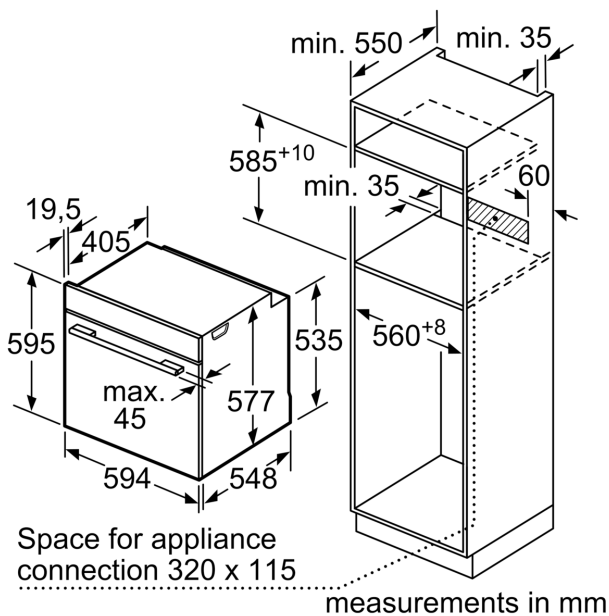
**Series 8, Built-in Oven, 60 x 60 cm,  
Black  
HBG7764B1**

Installing two appliances on top of each other  
other  
Air exchange



A: Air inlet  $\geq 200 \text{ cm}^2$

measurements in mm



measurements in mm

If the appliance will be installed underneath a hob, the following worktop thicknesses (including substructure if necessary) must be taken into account.

Hob type	min. worktop thickness	
	fitted	flush
Induction hob	37 mm	38 mm
Full surface Induction hob	47 mm	48 mm
Gas hob	30 mm	38 mm
Electric hob	27 mm	30 mm

