

**Series 8, Built-in Oven, 60 x 60 cm,
Black
HBG7563B1**



The built-in oven with Digital Control Ring and TFT-touchdisplay, Assist function for meals, Air Fry, PerfectRoast Plus, Home Connect for control via the App.

- **Digital Control Ring:** the simple and innovative way to select oven settings.
- **TFT Touch Display Plus:** control with an innovative Digital Control Ring and enlarged TFT touchscreen
- **PerfectRoast Plus:** knows exactly when your roast is done.
- **4D Hotair:** even heat distribution for perfect results – on any level.
- **Oven Assistant with Voice Control:** easily set the right programme.

1 x enamel baking tray, 1 x combination grid, 1 x universal pan, 1 x Air Fry & Grill tray

HEZ327000 Pizza stone, HEZ32WA00 Wireless food thermometer, HEZ530000 Half tray, HEZ531010 Baking tray, non-stick ceramic coated, HEZ532010 Universal pan, non-stick ceramic coated, HEZ538000 1fold telescopic rail, level independent, HEZ617000 Pizza pan, enamelled, HEZ629070 Air Fry & Grill tray, HEZ631070 Baking tray, enamelled, HEZ632070 Multipurpose pan, enamelled, HEZ633001 Lid for professional pan, enamelled, HEZ633070 Professional pan, enamelled, HEZ633073 Professional pan, enamelled, HEZ634000 Baking and roasting grid (standard), HEZ635001 AirFry & Grill Set, HEZ636000 Glass pan, HEZ638000 Full ext rails, level independent, HEZ660060 Strip, HEZ664000 Baking and roasting grid (steam), HEZ915003 Glass roasting dish, 5,4 L, HEZG0AS00 Connecting cable 3m

Gross weight: 37.2 kg
 Built-in / Free-standing: Built-in
 Cleaning: EcoClean Direct program, Hydrolytic
 Min. required niche size for installation (HxWxD): 585-595 x 560-568 x 550 mm
 Dimensions (HxWxD): 595 x 594 x 548 mm
 Dimensions of the packed product (HxWxD): 670 x 670 x 680 mm
 Control Panel Material: Glass
 Door Material: Glass
 Net weight: 34.8 kg
 Usable volume of cavity: 71 l
 Cooking method: .. 4D hot air, Defrost, Air fry, Full width grill, Hotair gentle, Half width grill, Conventional heat, Conventional heat gentle, Pizza setting, low temperature cooking, Bottom heat, Hot air grilling, pre-heating, warming
 Number of interior lights: 1
 Length electrical supply cord: 120.0 cm
 Interior Lights - cavity 1: 1
 Pull-out system: Accessory
 Included accessories: 1 x enamel baking tray, 1 x combination grid, 1 x universal pan, 1 x Air Fry & Grill tray
 Broil Element Wattages cavity 1: 2800 W
 Convection Element Wattages cavity 1: 2200 W
 Energy efficiency rating: A+
 Energy consumption per cycle conventional (2010/30/EC): 0.87 kWh/cycle
 Energy consumption per cycle forced air convection (2010/30/EC): 0.69 kWh/cycle
 Energy efficiency index (2010/30/EC): 81.2 %
 Connection rating: 3600 W
 Fuse protection: 16 A
 Voltage: 220-240 V
 Frequency: 50; 60 Hz
 Plug type: GARDY plug w/ earthing
 Energy input: Electric
 Required cutout/niche size for installation (in): x
 Dimensions of the packed product: 26.37 x 26.37 x 26.77
 Net weight: 77.000 lbs
 Gross weight: 82.000 lbs
 Length electrical supply cord: 120.0 cm
 Net weight: 34.8 kg



Series 8, Built-in Oven, 60 x 60 cm, Black HBG7563B1

The built-in oven with Digital Control Ring and TFT-touchdisplay, Assist function for meals, Air Fry, PerfectRoast Plus, Home Connect for control via the App.

Heating Functions

- Cavity volume: 71 l
- Oven with 14 heating methods: - 4D hot air, - Top/bottom heat, - Hot air grilling, - Full width grill, - Half width grill, - Pizza setting, - Bottom heat, - Slow cooking, - Defrost setting, Plate warming, - Keep warm, - Hotair gentle, Conventional heat gentle, Air fry
- Temperature range 30 °C - 300 °C

Hook-in racks / rails

- 5 shelf positions
- Large capacity oven with shelf supports

Design

- Touch control
- Digital Control Ring
- Cavity inner surface: enamel anthracite

Cleaning

- CeramiClean liner - sides: coating of ceiling, back panel, side liners
- Oven cleaning program: Cleaning aid, ecolyse program

Comfort

- Oven Assistant with Voice Control
- Electronic clock with timer
- Actual temperature display
- Digital temperature display with proposal Heating-up indicator
Meat probe remaining time prediction
- Drop down door, SoftClose, SoftOpen
- SoftOpen
- Supporting systems: Dish categories
- yes
- Air Fry Function
- Fast pre-heating function
- LED light, Switch for oven illumination
- Integral cooling fan
- HomeConnect ready on WLAN

Accessories

- 1 x Air Fry & Grill tray, 1 x enamel baking tray, 1 x combination grid,
1 x universal pan

Environment and Safety

- Maximum window temperature 40°C
- Triple glazed glazed CoolTouch door
- Childproof lock
- Automatic switch off Residual heat indicator Start button Door
contact switch

Technical Info

- Length of mains cable: 120 cm
- Nominal voltage: 220 - 240 V

- Electrical connection rating: 3600 W
- Energy efficiency rating (acc. EU Nr. 65/2014): A+(at a range of energy efficiency classes from A+++ to D)
- Energy consumption per cycle in conventional mode:0.87 kWh
- Energy consumption per cycle in fan-forced convection mode:0.69 kWh
- Number of cavities: 1 Heat source: electrical Cavity volume:71 l

Dimensions:

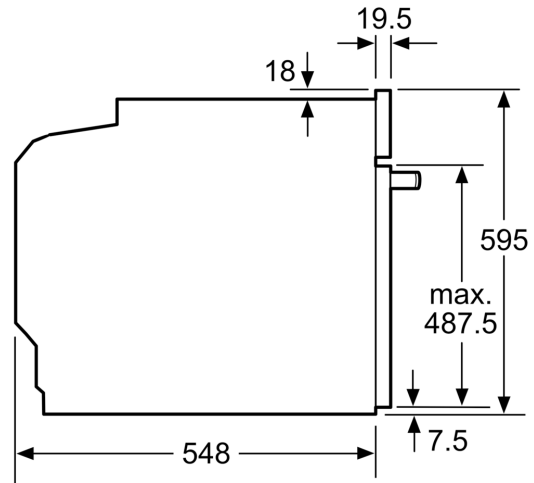
- Dimensions of the product (HxWxD mm) : 595 x 594 x 548
- Niche dimension (HxWxD): 585 mm - 595 mm x 560 mm - 568 mm x 550 mm
- "Please refer to the built-in dimensions provided in the installation drawing"

**Series 8, Built-in Oven, 60 x 60 cm,
Black
HBG7563B1**

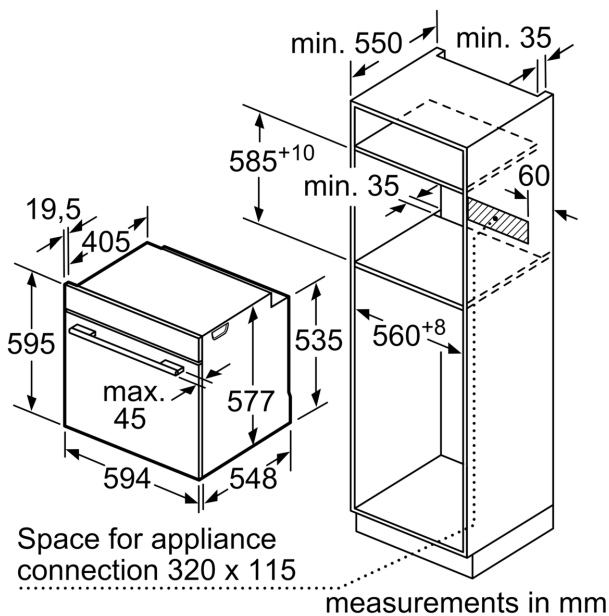
Installing two appliances on top of each other
other
Air exchange



A: Air inlet $\geq 200 \text{ cm}^2$



measurements in mm



If the appliance will be installed underneath a hob, the following worktop thicknesses (including substructure if necessary) must be taken into account.

Hob type	min. worktop thickness	
	fitted	flush
Induction hob	37 mm	38 mm
Full surface Induction hob	47 mm	48 mm
Gas hob	30 mm	38 mm
Electric hob	27 mm	30 mm

