

**Series 8, Built-in oven, 60 x 60 cm,
Stainless steel
HBG6767S1A**



Included accessories

1 x grill tray
suit. pyrol. clean.
2 x combination grid
1 x universal pan

The built-in oven with PerfectBake and PerfectRoast: you get perfect baking and roasting results – automatically

- **TFT touchscreen control:** easy-to-use thanks to the control ring with full text and images
- **Flap door with SoftOpen and SoftClose:** the oven door opens and closes especially gently and quietly.
- **4D Hot Air:** even heat distribution for perfect results – on any level

Technical Data

Gross weight : 43.6 kg
Color / Material Front : Stainless steel
Built-in / Free-standing : Built-in
Cleaning : Pyrolytic+Hydrolytic
Min. required niche size for installation (HxWxD) : 585-595 x 560-568 x 550 mm
Dimensions (HxWxD) : 595 x 594 x 548 mm
Dimensions of the packed product (HxWxD) : 670 x 690 x 660 mm
Control Panel Material : Stainless steel
Door Material : Glass
Net weight : 41.1 kg
Usable volume of cavity : 71 l
Cooking method : , 4D hot air, Bottom heat, - Defrost setting, Full width grill, Half width grill, Hot Air-Eco, - Hot air grilling, - Pizza setting, pre-heating, - Slow cooking, - Top/bottom heat, warming
Number of interior lights : 1
Length electrical supply cord : 120.0 cm
Interior Lights - cavity 1 : 1
Pull out system : 2-level
Clock function : Alarm, Off, On
Included accessories : 1 x grill tray, suit. pyrol. clean., 2 x combination grid, 1 x universal pan
Broil Element Wattages cavity 1 : 2800 W
Convection Element Wattages cavity 1 : 2200 W
Energy label : A
Energy consumption per cycle conventional (2010/30/EC) : 0.90 kWh/cycle
Energy consumption per cycle forced air convection (2010/30/EC) : 0.74 kWh/cycle
Energy efficiency index (2010/30/EC) : 87.1 %
Connection Rating : 3600 W
Fuse protection : 16 A
Voltage : 220-240 V
Frequency : 60; 50 Hz
Plug type : no plug
Color / Material Front : Stainless steel
Energy input : Electric
Required cutout/niche size for installation (in) : x x
Dimensions of the packed product : 26.37 x 25.98 x 27.16
Net weight : 91.000 lbs
Gross weight : 96.000 lbs
Length electrical supply cord : 120.0 cm
Net weight : 41.1 kg
Included accessories : 1 x grill tray, suit. pyrol. clean., 2 x combination grid, 1 x universal pan



Series 8, Built-in oven, 60 x 60 cm, Stainless steel HBG6767S1A

The built-in oven with PerfectBake and PerfectRoast: you get perfect baking and roasting results – automatically

Heating Functions

- Oven with 13 heating methods:
 - 4D hot air
 - Hot Air Eco
 - Top/bottom heat
 - Top/Bottom Eco
 - Hot air grilling
 - Full width grill
 - Half width grill
 - Pizza setting
 - Bottom heat
 - Slow cooking
 - Defrost setting
 - Plate warming
 - Keep warm
- Temperature range 30 °C - 300 °C
- Cavity volume: 71 l

Design

- Rotary swivel knobs
- Cavity inner surface: enamel anthracite

Cleaning

- Pyrolytic cleaning function
- Pyrolytic proof trayholder and baking tray
- Triple glass door

Comfort

- Digital temperature display with proposal
 - Actual temperature display
 - Heating-up indicator
 - Meat probe
 - Sabbath setting
- Supporting systems: Dish categories
 - Baking sensor
 - Multipoint temperature probe
- Electronic clock with timer
- Fast pre-heating function
- Interior halogen light, Switch for oven illumination
- Integral cooling fan
- Stainless-steel fan
- Info button
- Straight bar handle

Hook-in racks / rails

- Cavity with shelf support rails, 2 level telescopic shelf rails, 3 level telescopic shelf rails full extension, with Stop function, pyrolytic proof

Accessories

- 1 x grill tray, suit. pyrol. clean., 2 x combination grid, 1 x universal pan

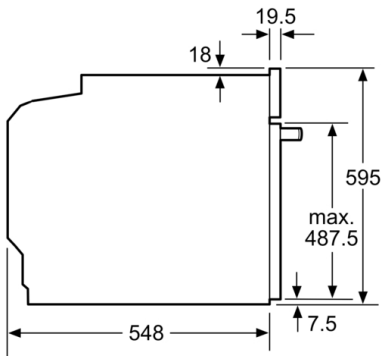
Environment and Safety

- Electronic door lock
- Childproof lock
- Automatic switch off
- Residual heat indicator
- Start button
- Door contact switch

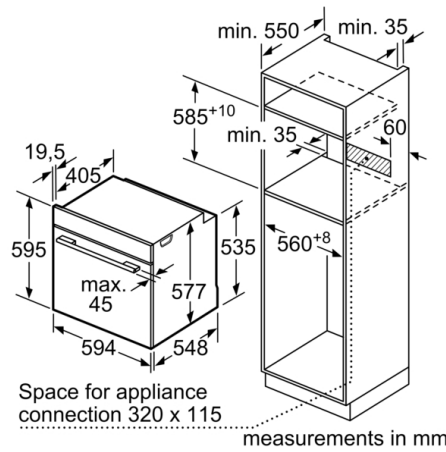
Technical Info

- Length of mains cable: 120 cm
- Electrical connection rating: 3600 W
- Dimensions of the product (HxWxD mm) : 595 x 594 x 548
- Niche dimension (HxWxD): 585 mm - 595 mm x 560 mm - 568 mm x 550 mm
- Energy efficiency rating (acc. EU Nr. 65/2014): A (at a range of energy efficiency classes from A+++ to D)
 - Energy consumption per cycle in conventional mode: 0.9 kWh
 - Energy consumption per cycle in fan-forced convection mode: 0.74 kWh
 - Number of cavities: 1
 - Heat source: electrical
 - Cavity volume: 71 l
- "Please refer to the built-in dimensions provided in the installation drawing"
- Maximum window temperature 30°C

Series 8, Built-in oven, 60 x 60 cm, Stainless steel
HBG6767S1A



measurements in mm

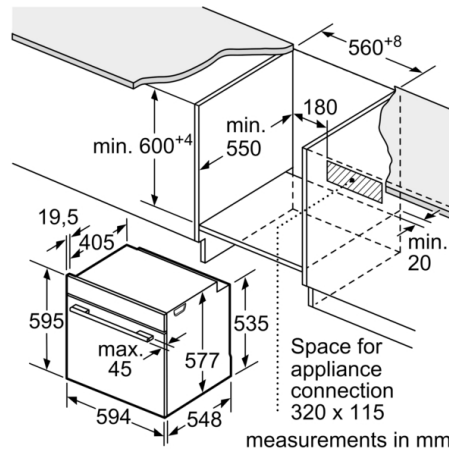


Space for appliance connection 320 x 115

measurements in mm

If the appliance will be installed underneath a hob, the following worktop thicknesses (including substructure if necessary) must be taken into account.

Hob type	min. worktop thickness	
	fitted	flush
Induction hob	37 mm	38 mm
Full surface Induction hob	47 mm	48 mm
Gas hob	30 mm	38 mm
Electric hob	27 mm	30 mm



Space for appliance connection 320 x 115

measurements in mm