

**Series 6, Built-in Oven, 60 x 60 cm,
Stainless steel
HBG5585S6B**



2 x combination grid, 1 x universal pan

HEZ317000 Pizza pan, enamelled, HEZ327000 Pizza stone, HEZ531000 Baking tray, enamelled, HEZ531010 Baking tray, non-stick ceramic coated, HEZ532000 Multipurpose pan, enamelled, HEZ532010 Universal pan, non-stick ceramic coated, HEZ538000 1fold telescopic rail, level independent, HEZ629070 Air Fry & Grill tray, HEZ634000 Baking and roasting grid (standard), HEZ638000 Full ext rails, level independent, HEZ660050 Cover Strip, HEZ664000 Baking and roasting grid (steam), HEZ915003 Glass roasting dish, 5,4 L

**The built-in oven with meatprobe and
AutoPilot: automatically prepares your
dishes to the point of doneness you like.**

- **Meatprobe:** measures the optimal core temperature of the roast.
- **EcoClean Direct:** almost no cleaning is necessary thanks to a special coating of the rear- and side wall and the roof that automatically absorbs grime and regeneration programme.
- **Dampened Hinges Softly and Quietly Guide the SoftClose Door Shut.**
- **Clip rails: can be placed in any cooking level.**

Gross weight: 36.1 kg
 Built-in / Free-standing: Built-in
 Cleaning: EcoClean Direct program
 Min. required niche size for installation (HxWxD): 585-595 x 560-568 x 550 mm
 Dimensions (HxWxD): 595 x 594 x 548 mm
 Dimensions of the packed product (HxWxD): 675 x 660 x 690 mm
 Control Panel Material: Stainless steel
 Door Material: Glass
 Net weight: 34.1 kg
 Usable volume of cavity: 71 l
 Cooking method: Defrost, Full width grill, Hotair gentle, Hot Air, Conventional heat, Pizza setting, low temperature cooking, Hot air grilling, warming
 Number of interior lights: 1
 Length electrical supply cord: 120.0 cm
 Interior Lights - cavity 1: 1
 Pull-out system: . Level-independent clip rails - for safe insertion and removal of accessories on any level
 Included accessories: 2 x combination grid, 1 x universal pan
 Broil Element Wattages cavity 1: 2800 W
 Convection Element Wattages cavity 1: 1600 W
 Energy efficiency rating: A
 Energy consumption per cycle conventional (2010/30/EC): 0.97 kWh/cycle
 Energy consumption per cycle forced air convection (2010/30/EC): 81 kWh/cycle
 Energy efficiency index (2010/30/EC): 95.3 %
 Connection rating: 2990 W
 Fuse protection: 13 A
 Voltage: 220-240 V
 Frequency: 50; 60 Hz
 Plug type: no plug
 Energy input: Electric
 Required cutout/niche size for installation (in): x
 Dimensions of the packed product: 26.57 x 25.98 x 27.16
 Net weight: 75.000 lbs
 Gross weight: 80.000 lbs
 Length electrical supply cord: 120.0 cm
 Net weight: 34.1 kg



**Series 6, Built-in Oven, 60 x 60 cm,
Stainless steel
HBG5585S6B**

drawing”

**The built-in oven with meatprobe and
AutoPilot: automatically prepares your
dishes to the point of doneness you like.**

Design

- LCD-display control (white)
- Drop down door, SoftClose, SoftOpen
- Rotary Control, Retractable rotary knobs, Round
- Straight bar handle

Heating Functions

- Childproof lock
- Automatic switch off Residual heat indicator Door contact switch
- Digital temperature display with proposal
- AutoPilot Automatic start Heating-up indicator Meat probe Sabbath setting
- AutoPilot 30
- single point meat probe
- Electronic clock with timer
- Interior halogen light, Switch for oven illumination
- Integral cooling fan
- 5 shelf positions

Cleaning

- EcoClean coating: ceiling, back panel, side liners
- Oven cleaning program: ecolyse program

Comfort

- Oven with 9 heating methods:
 - - 3D hot air plus
 - - Top/bottom heat - Hot air grilling - Full width grill - Pizza setting - Slow cooking - Defrost setting - Keep warm - Hotair gentle
- Fast pre-heating function
- Supporting systems: Automatic programmes

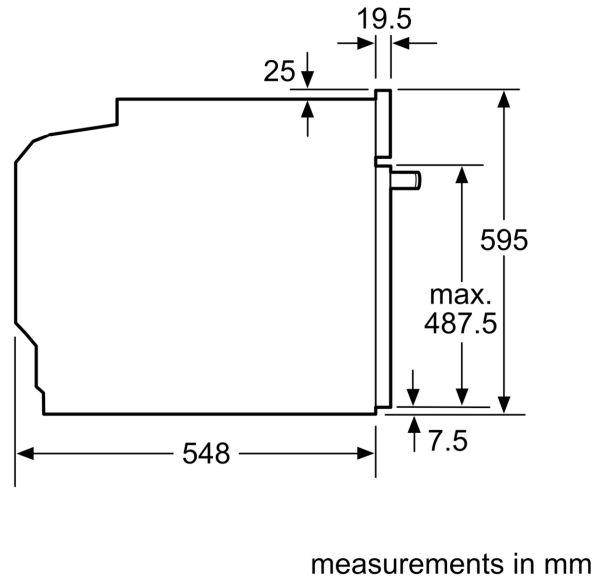
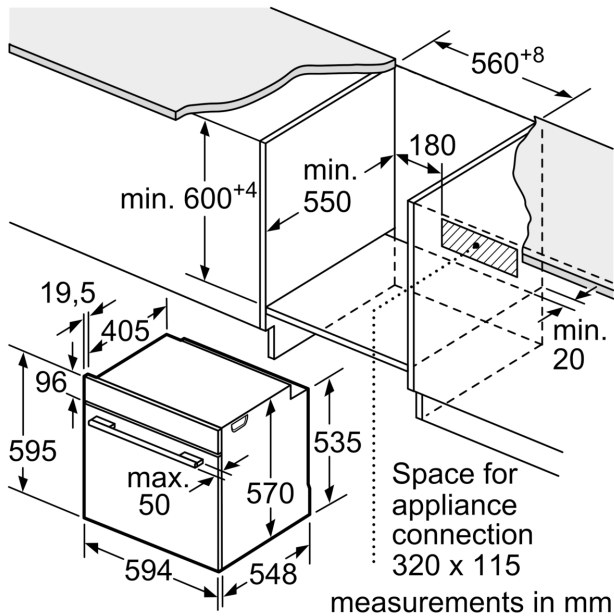
Accessories

- with Stop function, 1 set of level independent telescopic rails
- 2 x combination grid, 1 x universal pan

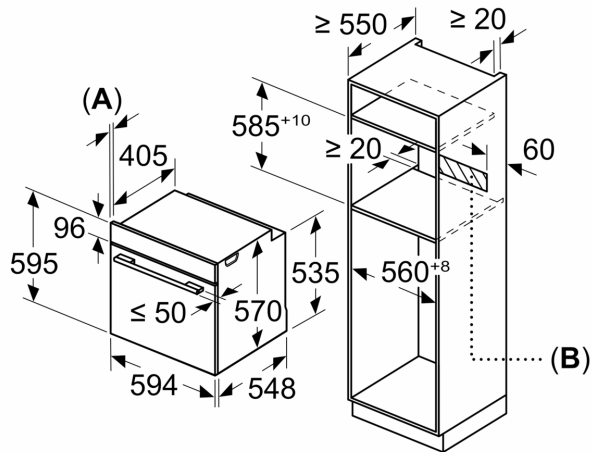
Technical Info

- Energy efficiency rating (acc. EU Nr. 65/2014): A(at a range of energy efficiency classes from A+++ to D)
- Energy consumption per cycle in conventional mode:0.97 kWh
- Energy consumption per cycle in fan-forced convection mode:0.81 kWh
- Number of cavities: 1 Heat source: electrical Cavity volume:71 l
- Length of mains cable: 120 cm
- Electrical connection rating: 2990 W
- Temperature range 30 °C - 275 °C
- Nominal voltage: 220 - 240 V
- Dimensions of the product (HxWxD mm) : 595 x 594 x 548
- Niche dimension (HxWxD): 585 mm - 595 mm x 560 mm - 568 mm x 550 mm
- “Please refer to the built-in dimensions provided in the installation

**Series 6, Built-in Oven, 60 x 60 cm,
Stainless steel
HBG5585S6B**



Measurements in mm



A: 19.5 mm
B: Space for appliance connection 320 x 115 mm

Installation with a hob.

