

**Serie | 6, Built-in Oven, Width 60 cm
HBG5585S0B**

**The built-in oven with meatprobe and
AutoPilot: automatically prepares your
dishes to the point of doneness you like.**

- **Meatprobe:** measures the optimal core temperature of the roast.
- **pop-out controls:** for an easy to clean front.
- **White LCD display control:** easy-to-use thanks to direct access to additional functions, temperature recommendation and temperature indication.
- **Flap door with SoftOpen and SoftClose:** the oven door opens and closes especially gently and quietly.
- **AutoPilot 30:** every dish is a perfect success thanks to 30 pre-set automatic programmes.

Technical Data

Color / Material Front :	Stainless steel
Built-in / Free-standing :	Built-in
Integrated Cleaning system :	catalytic all sides, catalytic all sides, Hydrolytic
Required niche size for installation (HxWxD) :	585-595 x 560-568 x 550
Dimensions :	595 x 594 x 548
Dimensions of the packed product (HxWxD) (mm) :	675 x 690 x 660
Control Panel Material :	Stainless steel
Door Material :	Glass
Net weight (kg) :	34.042
Usable volume of cavity (l) :	71
Cooking method :	Bottom heat, Conventional heat, Defrost, Full width grill, Hot Air, Hotair gentle, Hot air grilling, low temperature cooking, Pizza setting, warming
First cavity material :	Other
Number of interior lights :	1
Approval certificates :	CE, VDE
Length electrical supply cord (cm) :	120
Interior Lights - cavity 1 :	1
Clock function :	Alarm, Off, On
Broil Element Wattages cavity 1 (W) :	2800
Convection Element Wattages cavity 1 (W) :	1600
Energy efficiency rating :	A
Energy consumption per cycle conventional (2010/30/EC) :	0.97
Energy consumption per cycle forced air convection (2010/30/EC) :	0.81
Energy efficiency index (2010/30/EC) :	95.3
Connection Rating (W) :	2990
Current (A) :	13
Voltage (V) :	220-240
Frequency (Hz) :	60; 50
Plug type :	no plug
Color / Material Front :	Stainless steel
Energy input :	Electric
Approval certificates :	CE, VDE
Required cutout/niche size for installation (in) :	x x
Dimensions of the packed product (in) :	26.57 x 25.98 x 27.16
Net weight (lbs) :	75.000
Gross weight (lbs) :	80.000
Length electrical supply cord (cm) :	120
Net weight (kg) :	34.042
Gross weight (kg) :	36.1



Serie | 6, Built-in Oven, Width 60 cm HBG5585S0B

The built-in oven with meatprobe and AutoPilot: automatically prepares your dishes to the point of doneness you like.

Dimensions:

- Dimensions of the product (HxWxD mm) : 595 x 594 x 548
- Niche dimension (HxWxD): 585 mm - 595 mm x 560 mm - 568 mm x 550 mm
- "Please refer to the built-in dimensions provided in the installation drawing"

Heating Functions

Hook-in racks / rails

- with Stop function, 1 set of level independent telescopic rails

Design

- Extra large capacity oven with grey enamel

Cleaning

- EcoClean coating: ceiling, back panel, side liners
- Oven cleaning program: ecolyse program

Comfort

- Cavity volume: 71 l
- Temperature range 30 °C - 275 °C
- Electronic clock with timer
- Digital temperature display with proposal AutoPilot Automatic start Heating-up indicator Sabbath setting
- AutoPilot 30
- Drop down door, SoftClose, SoftOpen
- single point meat probe
- Fast pre-heating function
- Interior halogen light, Switch for oven illumination
- Integral cooling fan

Accessories

- 1 x universal pan, 2 x combination grid

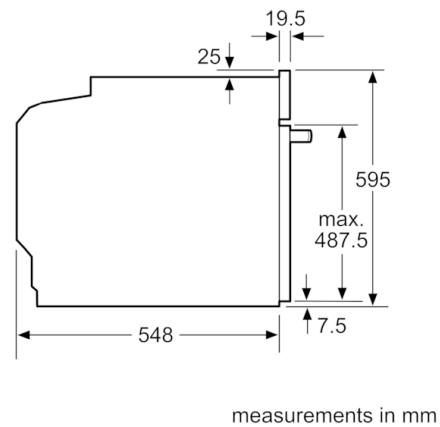
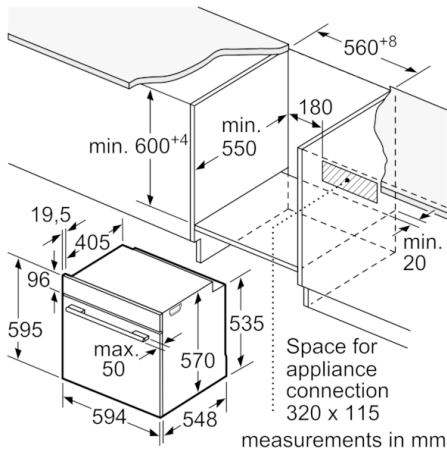
Environment and Safety

- Maximum window temperature 40°C
- Childproof lock Automatic switch off Residual heat indicator

Technical Info

- Length of mains cable: 120 cm
- Nominal voltage: 220 - 240 V
- Electrical connection rating: 2990 W
- Energy efficiency rating (acc. EU Nr. 65/2014): A (at a range of energy efficiency classes from A+++ to D) Energy consumption per cycle in conventional mode: 0.97 kWh Energy consumption per cycle in fan-forced convection mode: 0.81 kWh Number of cavities: 1 Heat source: electrical Cavity volume: 71 l

Serie | 6, Built-in Oven, Width 60 cm
HBG5585S0B



Installation with a hob.

