

**Serie | 2, Built-in Oven, 60 x 60 cm,
Stainless steel
HBF133BS0A**



Included accessories

1 x enamel baking tray
1 x combination grid
1 x universal pan

The built-in oven with 3D hot air: achieve perfect baking and roasting results on up to three levels simultaneously.

- **Pop-out controls:** for an easy to clean front.
- **EcoClean Direct:** almost no cleaning is necessary thanks to a special coating of the rear wall that automatically absorbs grime.

Technical Data

Gross weight : 35.4 kg
Color / Material Front : Stainless steel
Built-in / Free-standing : Built-in
Cleaning : catalytic partial
Min. required niche size for installation (HxWxD) : 575-597 x 560-568 x 550 mm
Dimensions (HxWxD) : 595 x 594 x 548 mm
Dimensions of the packed product (HxWxD) : 657 x 680 x 650 mm
Control Panel Material : Stainless steel
Door Material : Glass
Net weight : 33.3 kg
Usable volume of cavity : 66 l
Cooking method : Full width variable grill, Hot Air, Hotair gentle, - Hot air grilling, - Top/bottom heat
First cavity material : Other
Number of interior lights : 1
Length electrical supply cord : 146.0 cm
Interior Lights - cavity 1 : 1
Pull out system : Accessory
Clock function : Alarm, Off, On
Included accessories : 1 x enamel baking tray, 1 x combination grid, 1 x universal pan
Broil Element Wattages cavity 1 : 2800 W
Energy label : A
Energy consumption per cycle conventional (2010/30/EC) : 0.98 kWh/cycle
Energy consumption per cycle forced air convection (2010/30/EC) : 0.79 kWh/cycle
Energy efficiency index (2010/30/EC) : 95.2 %
Connection Rating : 3300 W
Fuse protection : 16 A
Voltage : 220-240 V
Plug type : no plug
Color / Material Front : Stainless steel
Energy input : Electric
Required cutout/niche size for installation (in) : x
Dimensions of the packed product : 25.86 x 25.59 x 26.77
Net weight : 73.000 lbs
Gross weight : 78.000 lbs
Length electrical supply cord : 146.0 cm
Net weight : 33.3 kg
Included accessories : 1 x enamel baking tray, 1 x combination grid, 1 x universal pan



Serie | 2, Built-in Oven, 60 x 60 cm, Stainless steel HBF133BS0A

The built-in oven with 3D hot air: achieve perfect baking and roasting results on up to three levels simultaneously.

Heating Functions

- Cavity volume: 66 l
- Oven with 5 heating methods:
 - 3D hot air plus
 - Top/bottom heat
 - Hot air grilling
 - Hotair gentle
 - Full width variable grill
- Temperature range 50 °C - 275 °C

Design

- Rotary Control, Retractable rotary knobs, Round knobs

Cleaning

- EcoClean coating: back panel
- Triple glass door

Comfort

- Fast heat
- Interior halogen light
- Straight bar handle
- 1 x universal pan, 1 x combination grid, 1 x enamel baking tray

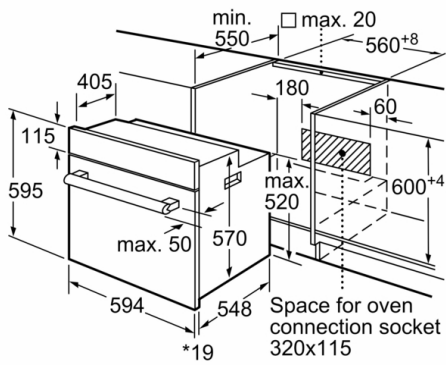
Technical Info

- Length of mains cable: 146 cm
- Nominal voltage: 220 - 240 V
- Electrical connection rating: 3300 W
- Energy efficiency rating (acc. EU Nr. 65/2014): A (at a range of energy efficiency classes from A+++ to D)
Energy consumption per cycle in conventional mode: 0.98 kWh
Energy consumption per cycle in fan-forced convection mode: 0.79 kWh
Number of cavities: 1
Heat source: electrical
Cavity volume: 66 l

Dimensions:

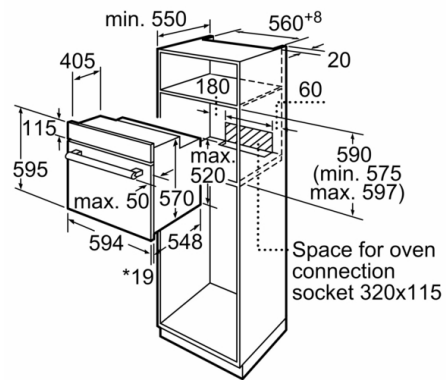
- Dimensions of the product (HxWxD mm) : 595 x 594 x 548
- Niche dimension (HxWxD): 575 mm - 597 mm x 560 mm - 568 mm x 550 mm
- "Please refer to the built-in dimensions provided in the installation drawing"

Serie | 2, Built-in Oven, 60 x 60 cm, Stainless steel
HBF133BS0A



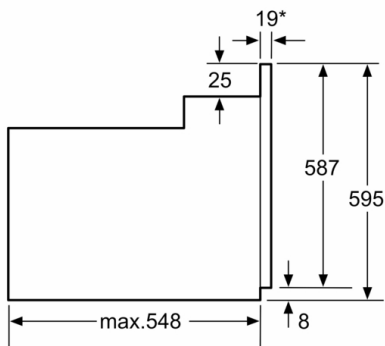
* 20 mm for metal fascias

measurements in mm



* 20 mm for metal fascias

measurements in mm



* 20 mm for metal fascias

Dimensions in mm