

**Series 4, Built-in Oven, 60 x 60 cm,
Stainless steel
HBA574BS0A**



2 x combination grid, 1 x universal pan, 1 x Air Fry & Grill tray

HEZ633001 Lid for professional pan, enamelled, HEZ633070 Professional pan, enamelled, HEZ634000 Baking and roasting grid (standard), HEZ636000 Glass pan, HEZ638000 Full ext rails, level independent, HEZ327000 Pizza stone, HEZ32WA00 Wireless food thermometer, HEZ530000 Half tray, HEZ531010 Baking tray, non-stick ceramic coated, HEZ532010 Universal pan, non-stick ceramic coated, HEZ538000 1fold telescopic rail, level independent, HEZ617000 Pizza pan, enamelled, HEZ629070 Air Fry & Grill tray, HEZ631070 Baking tray, enamelled, HEZ632070 Multipurpose pan, enamelled, HEZ660050 Cover Strip, HEZ664000 Baking and roasting grid (steam), HEZ915003 Glass roasting dish, 5,4 L

**The built-in oven with AutoPilot:
automatically prepares perfect dishes.**

- **AutoPilot 10:** every dish is a perfect success thanks to 10 pre-set automatic programmes.
- **LED display control, red:** easy-to-use thanks to the time functions.
- **Pop-out controls:** for an easy to clean front.

Gross weight: 39.5 kg
 Built-in / Free-standing: Built-in
 Cleaning: Pyrolytic+Hydrolytic
 Min. required niche size for installation (HxWxD): 585-595 x 560-568 x 550 mm
 Dimensions (HxWxD): 595 x 594 x 548 mm
 Dimensions of the packed product (HxWxD): 670 x 660 x 690 mm
 Control Panel Material: Stainless steel
 Door Material: Glass
 Net weight: 37.3 kg
 Usable volume of cavity: 71 l
 Cooking method: Full width grill, Hotair gentle, Hot Air, Conventional heat, Pizza setting, Bottom heat, Hot air grilling
 Number of interior lights: 1
 Length electrical supply cord: 120.0 cm
 Interior Lights - cavity 1: 1
 Pull-out system: Accessory
 Included accessories: 2 x combination grid, 1 x universal pan, 1 x Air Fry & Grill tray
 Broil Element Wattages cavity 1: 2800 W
 Convection Element Wattages cavity 1: 2200 W
 Energy efficiency rating: A
 Energy consumption per cycle conventional (2010/30/EC): 0.99 kWh/cycle
 Energy consumption per cycle forced air convection (2010/30/EC): 81 kWh/cycle
 Energy efficiency index (2010/30/EC): 95.3 %
 Connection rating: 3600 W
 Fuse protection: 16 A
 Voltage: 220-240 V
 Frequency: 50; 60 Hz
 Plug type: no plug
 Energy input: Electric
 Required cutout/niche size for installation (in): x
 Dimensions of the packed product: 26.37 x 25.98 x 27.16
 Net weight: 82.000 lbs
 Gross weight: 87.000 lbs
 Length electrical supply cord: 120.0 cm
 Net weight: 37.3 kg



**Series 4, Built-in Oven, 60 x 60 cm,
Stainless steel
HBA574BS0A**

**The built-in oven with AutoPilot:
automatically prepares perfect dishes.**

Heating Functions

- Oven with 7 heating methods:
 - - 3D hot air plus
 - - Top/bottom heat - Hot air grilling - Full width grill - Pizza setting - Bottom heat - Hotair gentle

Design

- Display panel
- Straight bar handle
- Cavity inner surface: enamel anthracite
- Interior halogen light, Switch for oven illumination

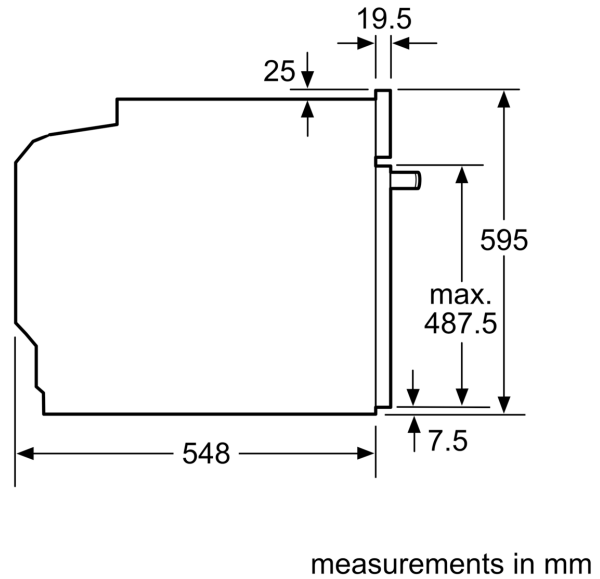
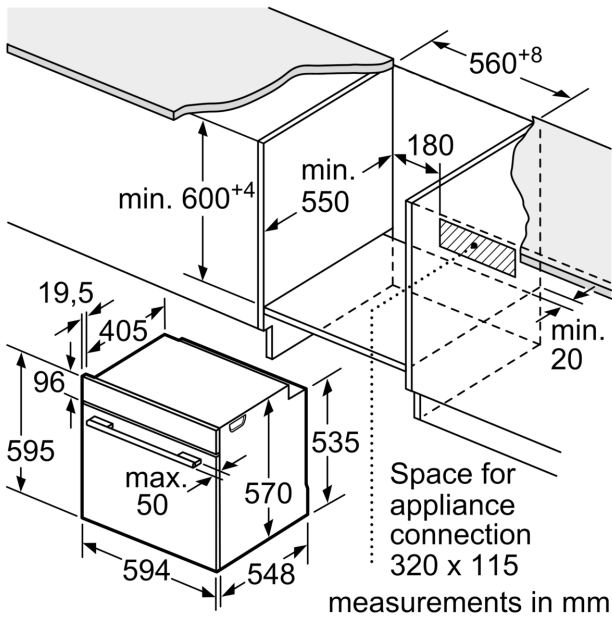
Comfort

- Cavity volume: 71 l
- Maximum window temperature 30 °C
- Temperature range 50 °C - 275 °C
- 4 layer door panel
- Pyrolytic cleaning function
- Electronic door lock
- Childproof lock Automatic switch off
- 10 automatic programs
- Integral cooling fan
- Electronic functions:
 - Heating-up indicator
 - Automatic start AutoPilot

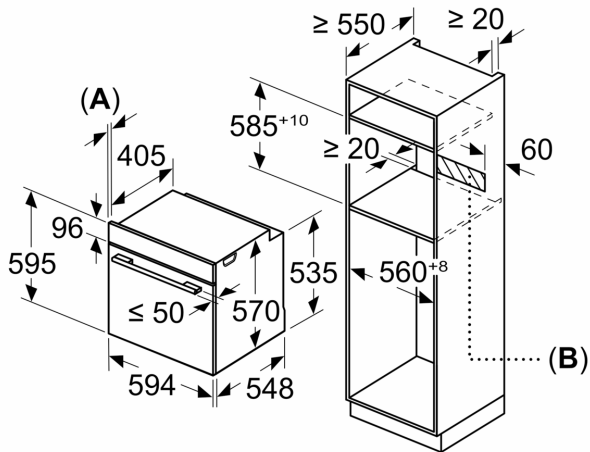
Technical Info

- Dimensions of the product (HxWxD mm) : 595 x 594 x 548
- Niche dimension (HxWxD): 585 mm - 595 mm x 560 mm - 568 mm x 550 mm
- Electrical connection rating: 3600 W
- Plug type: no plug
- Length of mains cable: 120 cm

**Series 4, Built-in Oven, 60 x 60 cm,
Stainless steel
HBA574BS0A**



Measurements in mm



A: 19.5 mm
B: Space for appliance connection 320 x 115 mm

Installation with a hob.

