

**Series 4, Built-in Oven, 60 x 60 cm,
Stainless steel
HBA534BS0A**



2 x combination grid, 1 x universal pan, 1 x Air Fry & Grill tray

HEZ660050 Cover Strip, HEZ664000 Baking and roasting grid (steam), HEZ915003 Glass roasting dish, 5,4 L, HEZ327000 Pizza stone, HEZ32WA00 Wireless food thermometer, HEZ530000 Half tray, HEZ531010 Baking tray, non-stick ceramic coated, HEZ532010 Universal pan, non-stick ceramic coated, HEZ538000 1fold telescopic rail, level independent, HEZ617000 Pizza pan, enamelled, HEZ629070 Air Fry & Grill tray, HEZ631070 Baking tray, enamelled, HEZ632070 Multipurpose pan, enamelled, HEZ633001 Lid for professional pan, enamelled, HEZ633070 Professional pan, enamelled, HEZ634000 Baking and roasting grid (standard), HEZ636000 Glass pan, HEZ638000 Full ext rails, level independent

The built-in oven with 3D hot air: achieve perfect baking and roasting results on up to three levels simultaneously.

- **Pop-out controls:** for an easy to clean front.
- **EcoClean Direct:** almost no cleaning is necessary thanks to a special coating of the rear wall that automatically absorbs grime.

Gross weight:	36.5 kg
Built-in / Free-standing:	Built-in
Cleaning:	EcoClean Direct program, Hydrolytic Min. required niche size for installation (HxWxD): 585-595 x 560-568 x 550 mm
Dimensions (HxWxD):	595 x 594 x 548 mm
Dimensions of the packed product (HxWxD):	660 x 650 x 680 mm
Control Panel Material:	Stainless steel
Door Material:	Glass
Net weight:	34.4 kg
Usable volume of cavity:	71 l
Cooking method: Full width grill, Hotair gentle, Hot Air, Conventional heat, Pizza setting, Bottom heat, Hot air grilling	
Number of interior lights:	1
Length electrical supply cord:	120.0 cm
Interior Lights - cavity 1:	1
Pull-out system:	Accessory
Included accessories: 2 x combination grid, 1 x universal pan, 1 x Air Fry & Grill tray	
Broil Element Wattages cavity 1:	2700 W
Convection Element Wattages cavity 1:	2200 W
Energy efficiency rating:	A
Energy consumption per cycle conventional (2010/30/EC):	0.97 kWh/cycle
Energy consumption per cycle forced air convection (2010/30/EC):	81 kWh/cycle
Energy efficiency index (2010/30/EC):	95.3 %
Connection rating:	3400 W
Fuse protection:	16 A
Voltage:	220-240 V
Frequency:	60; 50 Hz
Plug type:	no plug
Energy input:	Electric
Required cutout/niche size for installation (in):	x
Dimensions of the packed product:	25.98 x 25.59 x 26.77
Net weight:	76.000 lbs
Gross weight:	81.000 lbs
Length electrical supply cord:	120.0 cm
Net weight:	34.4 kg



Series 4, Built-in Oven, 60 x 60 cm, Stainless steel HBA534BS0A

The built-in oven with 3D hot air: achieve perfect baking and roasting results on up to three levels simultaneously.

Heating Functions

- Oven with 7 heating methods:
 - - 3D hot air plus
 - - Top/bottom heat - Hot air grilling - Full width grill - Pizza setting - Bottom heat - Hot air gentle

Hook-in racks / rails

- Large capacity oven with shelf supports

Design

- Rotary Control, Retractable rotary knobs, Round knobs
- Straight bar handle
- Extra large capacity oven with grey enamel

Cleaning

- EcoClean coating: back panel
- Full glass inner door

Comfort

- Cavity volume: 71 l
- Temperature range 50 °C - 275 °C
- Electronic clock with timer
- Drop down door
- Fast heat
- Interior halogen light
- Integral cooling fan

Accessories

- 1 x Air Fry & Grill tray, 2 x combination grid, 1 x universal pan

Environment and Safety

- Maximum window temperature 40°C
- Childproof lock

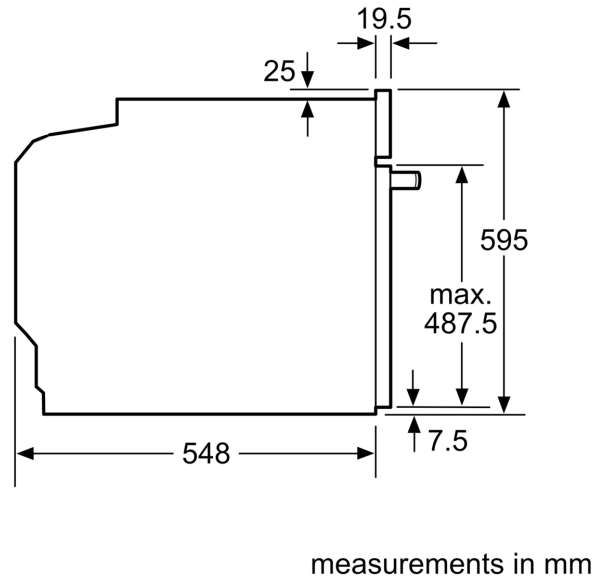
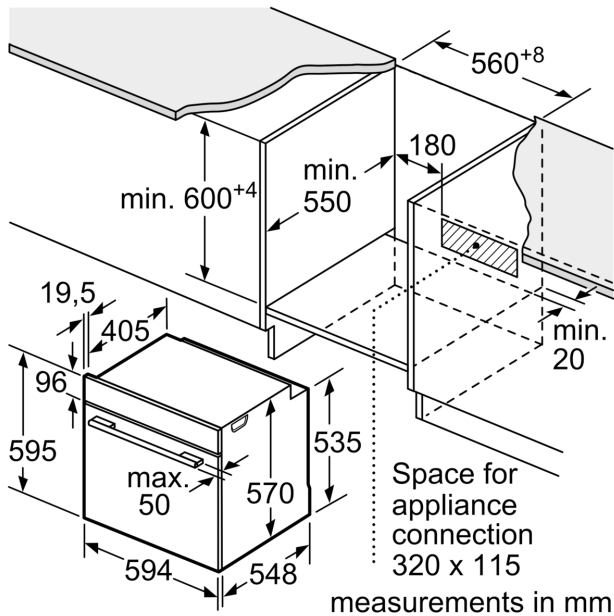
Technical Info

- Length of mains cable: 120 cm
- Nominal voltage: 220 - 240 V
- Electrical connection rating: 3400 W
- Energy efficiency rating (acc. EU Nr. 65/2014): A (at a range of energy efficiency classes from A+++ to D)
- Energy consumption per cycle in conventional mode: 0.97 kWh
- Energy consumption per cycle in fan-forced convection mode: 0.81 kWh
- Number of cavities: 1 Heat source: electrical Cavity volume: 71 l

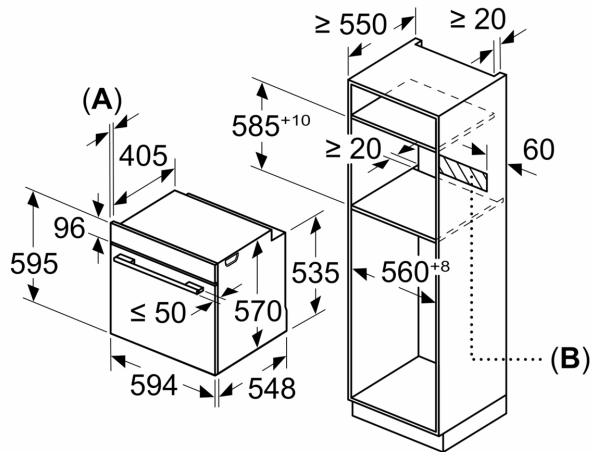
Dimensions:

- Dimensions of the product (HxWxD mm) : 595 x 594 x 548
- Niche dimension (HxWxD): 585 mm - 595 mm x 560 mm - 568 mm x 550 mm
- "Please refer to the built-in dimensions provided in the installation drawing"

**Series 4, Built-in Oven, 60 x 60 cm,
Stainless steel
HBA534BS0A**



Measurements in mm



A: 19.5 mm
B: Space for appliance connection 320 x 115 mm

Installation with a hob.

