

**Series 2, Built-in Oven, 60 x 60 cm,
Stainless steel
HAF011BR0**



- **Top-/Bottom heat:** perfect results on one level thanks to optimal distribution of heat.

Gross weight: 32.6 kg
 Built-in / Free-standing: Built-in
 Cleaning: No
 Min. required niche size for installation (HxWxD): 575-597 x 560-568 x 550 mm
 Dimensions (HxWxD): 595 x 594 x 548 mm
 Dimensions of the packed product (HxWxD): 660 x 650 x 680 mm
 Control Panel Material: Stainless steel
 Door Material: Glass
 Net weight: 30.4 kg
 Usable volume of cavity: 71 l
 Cooking method: Conventional heat, Bottom heat, Full width variable grill, Half width variable grill
 First cavity material: Other
 Number of interior lights: 1
 Length electrical supply cord: 100.0 cm
 Interior Lights - cavity 1: 1
 Included accessories: 1 x combination grid, 1 x universal pan
 Broil Element Wattages cavity 1: 2800 W
 Energy efficiency rating: A
 Energy consumption per cycle conventional (2010/30/EC): 0.98 kWh/cycle
 Energy consumption per cycle forced air convection (2010/30/EC): 82 kWh/cycle
 Energy efficiency index (2010/30/EC): 98.8 %
 Connection rating: 2850 W
 Fuse protection: 16 A
 Voltage: 220-240 V
 Frequency: 50-60 Hz
 Plug type: GARDY plug w/ earthing
 Energy input: Electric
 Required cutout/niche size for installation (in): X
 Dimensions of the packed product: 25.98 x 25.59 x 26.77
 Net weight: 67.000 lbs
 Gross weight: 72.000 lbs
 Length electrical supply cord: 100.0 cm
 Net weight: 30.4 kg

1 x combination grid, 1 x universal pan

- HEZ333073 Professional pan, suit. pyrolytic clean.
- HEZ425001 Grill tray
- HEZ431002 Baking tray, enamelled
- HEZ317000 Pizza pan, enamelled
- HEZ327000 Pizza stone
- HEZ333001 Lid for professional pan
- HEZ625071 Grill tray, anthracite
- HEZ915003 Glass roasting dish, 5,4 L



Series 2, Built-in Oven, 60 x 60 cm, Stainless steel HAF011BR0

Heating Functions

- Temperature range 50 °C - 270 °C
- Cavity volume: 71 l

Hook-in racks / rails

- 4 shelf positions

Design

- Rotary Control, Round
- Cavity inner surface: enamel brown

Comfort

- Timer
- Straight bar handle
- Interior halogen light
- Integral cooling fan

Accessories

- 1 x combination grid, 1 x universal pan

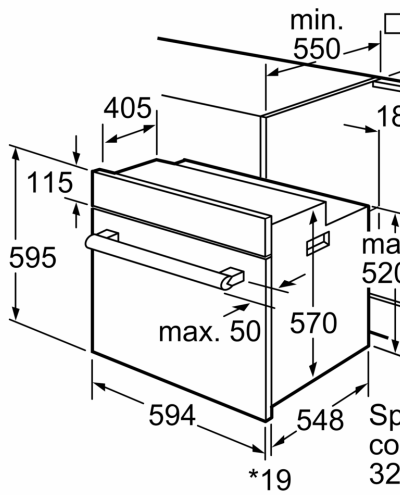
Technical Info

- Length of mains cable: 100 cm
- Nominal voltage: 220 - 240 V
- Electrical connection rating: 2850 W
- Energy efficiency rating (acc. EU Nr. 65/2014): A(at a range of energy efficiency classes from A+++ to D)
- Energy consumption per cycle in conventional mode:0.98 kWh
- Energy consumption per cycle in fan-forced convection mode:0.82 kWh
- Number of cavities: 1 Heat source: electrical Cavity volume:71 l

Dimensions:

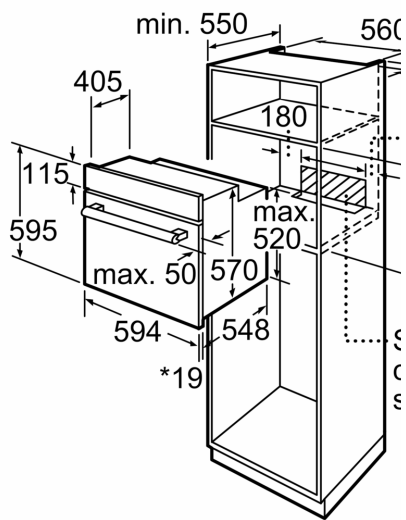
- Dimensions of the product (HxWxD mm) : 595 x 594 x 548
- Niche dimension (HxWxD): 575 mm - 597 mm x 560 mm - 568 mm x 550 mm
- "Please refer to the built-in dimensions provided in the installation drawing"

**Series 2, Built-in Oven, 60 x 60 cm,
Stainless steel
HAF011BR0**



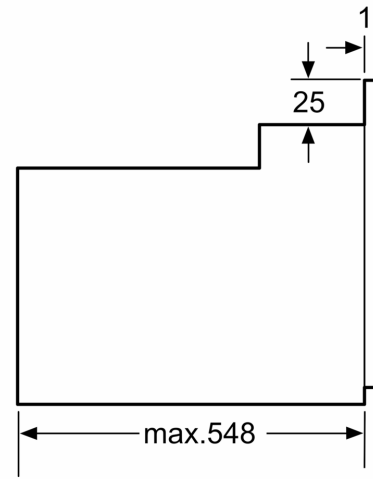
* 20 mm for metal fascias

meas



* 20 mm for metal fascias

meas



* 20 mm for metal fascias

Dim