

**Series 6, Wall-mounted Hood, 90 cm,
clear glass black printed
DWK97JQ60B**



| | |
|-----------|--|
| DWZ0AX5L0 | Chimney extension 1500 mm |
| DWZ1AK1B6 | Clean Air Plus odor filter (replacement) |
| DWZ1AK1I6 | Clean Air Plus recirculation kit |
| DWZ1AK1V6 | Clean Air Plus recirc. kit (chimless) |
| DWZ1AX5C6 | Clean Air Plus recirc. kit external |
| DWZ1AX6E1 | Chimney standard black |
| DZZ0XX0P0 | Long Life odor filter (replacement) |
| DZZ1XX1B6 | Clean Air Plus odor filter (replacement) |
| DWZ0AK0R0 | Long Life recirculation kit (chimless) |
| DWZ0AK0S0 | Long Life recirculation kit |
| DWZ0AX5K0 | Chimney extension 1000 mm |

**Inclined hood: optimal for keeping an eye
on your pots and pans.**

- **extra silent:** maximal extractor performance with very minimal noise.
- **Easy-to-clean interior:** hidden screws and cables along with rounded edges make cleaning easy.
- **With exhaust, the air is cleaned by a grease filter and then ducted to the outside which ensures optimal kitchen air quality.**
- **For fast and effective extraction, the intensive speed setting removes strong kitchen odours quickly and effectively.**
- **Intensive speed setting with reset: automatically resets the hood to normal speed setting**

| | |
|---|---|
| Typology: |Wall-mounted |
| Length electrical supply cord: | 130.0 cm |
| Height of product, without chimney: | 323 mm |
| Net weight: | 23.2 kg |
| Type of control: |Electronic |
| Number of speed settings: | 3-stage + 2 intensive |
| Max. air extraction: | 431 m ³ /h |
| Boost position output recirculating: | 441 m ³ /h |
| Max. air recirculation: | 355 m ³ /h |
| Boost position air extraction: | 714 m ³ /h |
| Number of lights: | 2 |
| Noise level: | 53 dB(A) re 1 pW |
| Diameter of air outlet: | 120 / 150 mm |
| Grease filter material: |Washable aluminium |
| Odour filter: | No |
| Ventilation mode: |Convertible |
| Optional accessories: | DWZ0AX5L0, DWZ1AK1B6, DWZ1AK1I6, DWZ1AK1V6, DWZ1AX5C6, DWZ1AX6E1, DZZ0XX0P0, DZZ1XX1B6, DWZ0AK0R0, DWZ0AK0S0, DWZ0AX5K0 |
| Type of lamps used: | LED |
| Grease filter type: |Kassette |
| Connection rating: | 143 W |
| Fuse protection: |10 A |
| Voltage: | 220-240 V |
| Frequency: | 50; 60 Hz |
| Plug type: | GB plug |
| Installation typology: |Wall-mounted |
| Material of the body: | Glass, Lacquered |
| Plug type: | GB plug |
| Dimensions of the product, with chimney (if exists) (in): |x x |
| Dimensions of the packed product: | 27.16 x 29.13 x 40.94 |
| Net weight: |51.000 lbs |
| Gross weight: | 70.000 lbs |
| Motor location: | Integrated motor in hood body |
| No-return airflow flap: | No |
| Length electrical supply cord: | 130.0 cm |
| Dimensions of the product, with chimney (if exists): |452 x 890.0 x 499.0 mm |
| Dimensions of the packed product (HxWxD): | ... 690 x 740 x 1040 mm |
| Net weight: | 23.2 kg |
| Gross weight: | 31.9 kg |
| Delay shut off modes: | 10 min |



Series 6, Wall-mounted Hood, 90 cm, clear glass black printed DWK97JQ60B

**Inclined hood: optimal for keeping an eye
on your pots and pans.**

Design

- Chimney hood, 89 cm
- 90 cm
- Appliance colour: black
- Wall mounted hood
- Electronic controls via TouchControl

Technical information

- Twin channel high performance fan motor
- 3-stage + 2 intensive
- Extraction rate according to DIN/EN 61591 ø 15 cm: max. Normal 431 m³/h Intensive 714 m³/h
- Noise level according to EN 60704-3 and EN 60704-2-13 exhaust air at normal use max.: 53 dB(A) re 1 pW (53 dB(A) re 20 µPa sound pressure)
- Energy Efficiency Class: A (at a range of energy efficiency classes from A++ to E)
- Average Energy Consumption: 34.6 kWh/year*
- Blower Efficiency Class: A*
- Lighting Efficiency Class: A*
- Noise min./max. Normal Level: 45/53 dB*

Comfort

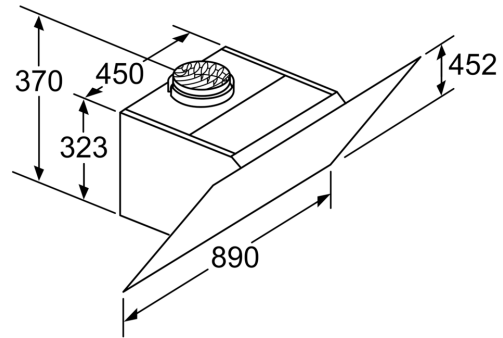
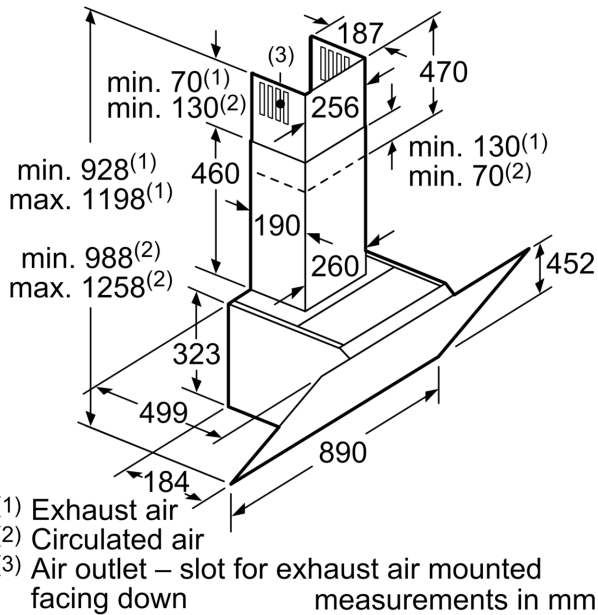
- Suitable for ducted or re-circulated extraction
- air quality sensor 1.1
- Metal grease filter, dishwasher safe
- Rimm ventilation
- Filter cover glass
- 2 capture areas: front side and bottom side
- easy to clean yes
- 2 x 1,5W LED
- Light dimmer function
- Light Intensity: 238 lux
- Colour Temperature: 3500 K
- In recirculation operation chimless use possible
- For recirculated extraction a recirculating kit or a CleanAir recirculation kit (accessory) is needed

Technical information

- Dimensions exhaust air (HxWxD): 928-1198 x 890 x 499 mm
- Dimensions recirculating, chimney (HxWxD): 988-1258 x 890 x 499 mm
- Dimensions recirculating, chimless (HxWxD): 452 mm x 890 x 499 mm
- Diameter pipe Ø 150 mm (Ø 120 mm enclosed)
- Connected load: 143 W

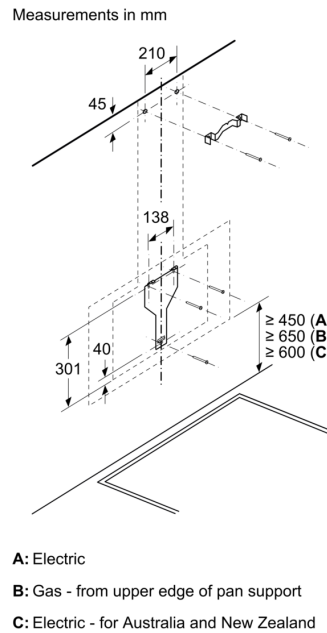
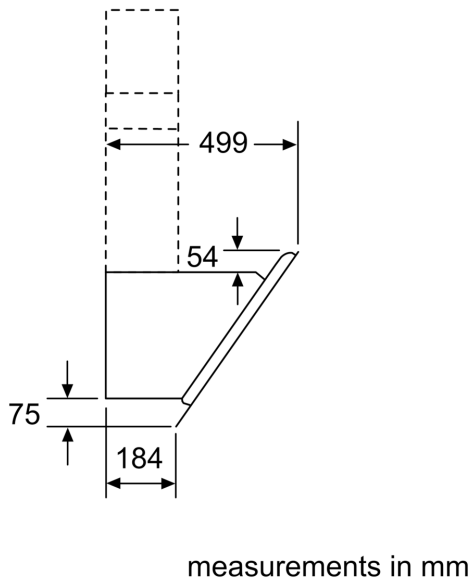
* In accordance with the EU-Regulation No 65/2014

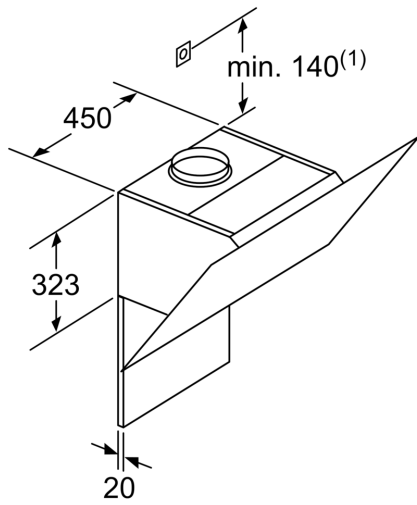
**Series 6, Wall-mounted Hood, 90 cm,
clear glass black printed
DWK97JQ60B**



Appliance in circulated air mode
without duct
Circulated air set required

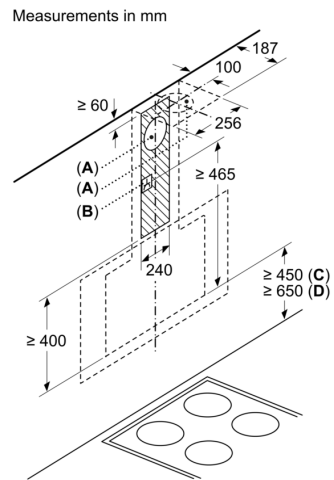
measurements in mm





(1) Position of socket

Note the maximum thickness of the back panel.
measurements in mm



A: Exhaust air
B: Socket
From upper edge of pan support
C: Electric
D: Gas