

**Series 4, Wall-mounted Hood, 90 cm,  
Stainless steel  
DWB97DM50B**



DHZ1225 Chimney extension 1000 mm, DHZ1235 Chimney extension 1500 mm, DHZ9550 Brushed steel back panel, DHZ9551 Brushed steel back panel, DWZ0DX0A0 Standard odor filter (replacement), DWZ0DX0U0 Standard recirculation kit, DWZ0XX0J0 Long Life recirculation kit, DWZ1DX1B4 Clean Air Standard odor filter (repl.), DWZ1DX1I4 Clean Air Standard recirculation kit, DWZ1DX1I6 Clean Air Plus recirculation kit, DWZ1FX5C6 Clean Air Plus recirc. kit external, DWZ1FX5D1 Long Life recirculation kit external, DZZ0XX0P0 Long Life odor filter (replacement), DZZ1XX1B6 Clean Air Plus odor filter (replacement)

**Box-design hood: performance and matching kitchen design bundled in one hood.**

- **TouchSelect control:** quick touch-control selection of desired settings and light.
- **For fast and effective extraction, the intensive speed setting removes strong kitchen odours quickly and effectively.**
- **Silent: maximal extractor performance with little noise**

Typology: .....Wall-mounted  
 Length electrical supply cord: ..... 130.0 cm  
 Height of the chimney: ..... 583-912/583-1022 mm  
 Height of product, without chimney: ..... 53 mm  
 Net weight: ..... 13.9 kg  
 Type of control: .....Electronic  
 Number of speed settings: ..... 3-stages + intensive setting  
 Max. air extraction: .....454 m<sup>3</sup>/h  
 Boost position output recirculating: .....499 m<sup>3</sup>/h  
 Max. air recirculation: ..... 404 m<sup>3</sup>/h  
 Boost position air extraction: ..... 739 m<sup>3</sup>/h  
 Number of lights: ..... 2  
 Noise level: .....65 dB(A) re 1 pW  
 Diameter of air outlet: ..... 120 / 150 mm  
 Grease filter material: ..... Washable stainless steel  
 Odour filter: ..... No  
 Ventilation mode: .....Convertible  
 Optional accessories: ..... DHZ1225, DHZ1235, DHZ9550, DHZ9551, DWZ0DX0A0, DWZ0DX0U0, DWZ0XX0J0, DWZ1DX1B4, DWZ1DX1I4, DWZ1DX1I6, DWZ1FX5C6, DWZ1FX5D1, DZZ0XX0P0, DZZ1XX1B6  
 Type of lamps used: ..... LED  
 Grease filter type: .....Kassette  
 Connection rating: ..... 255 W  
 Fuse protection: .....10 A  
 Voltage: ..... 220-240 V  
 Frequency: ..... 50; 60 Hz  
 Plug type: ..... GB plug  
 Installation typology: .....Wall-mounted  
 Material of the body: .....Stainless steel  
 Plug type: ..... GB plug  
 Dimensions of the product, with chimney (if exists) (in): .....x x  
 Dimensions of the packed product: ..... 19.29 x 25.59 x 40.55  
 Net weight: .....31.000 lbs  
 Gross weight: ..... 42.000 lbs  
 Motor location: .....Integrated motor in hood chimney  
 No-return airflow flap: ..... No  
 Length electrical supply cord: ..... 130.0 cm  
 Dimensions of the product, with chimney (if exists): .635-1075 MM x 900.0 x 500.0 mm  
 Dimensions of the packed product (HxWxD): ... 490 x 650 x 1030 mm  
 Net weight: ..... 13.9 kg  
 Gross weight: ..... 19.2 kg



## **Series 4, Wall-mounted Hood, 90 cm, Stainless steel DWB97DM50B**

### **Box-design hood: performance and matching kitchen design bundled in one hood.**

---

#### **Design**

- 90 cm wide
- Wall mounted hood
- Electronic controls via TouchControl

#### **Operating mode / operation**

- 3 speeds plus intensive setting
- Extraction rate exhaust air according to EN 61591: max. normal use 453m<sup>3</sup>/h, Intensive 739m<sup>3</sup>/h
- Extraction rate in recirculation mode:
  - Max. normal use:324m<sup>3</sup>/h
  - Intensive:379 m<sup>3</sup>/h
- Noise level according to EN 60704-3 and EN 60704-2-13 at max. normal use exhaust air: 65 dB(A) re 1 pW (52 dB(A) re 20 µPa sound pressure)
- Noise level in recirculation mode:
  - Max. normal use:74 dB(A) re 1 pW (61 dB(A) re 20 µPa sound pressure)
- Average Energy Consumption: 62.5 kWh/year\*
- Blower Efficiency Class: B\*
- Lighting Efficiency Class: A\*

#### **Comfort**

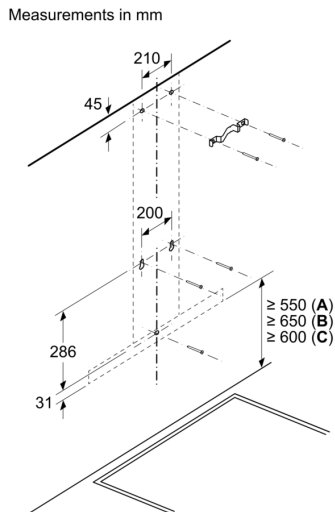
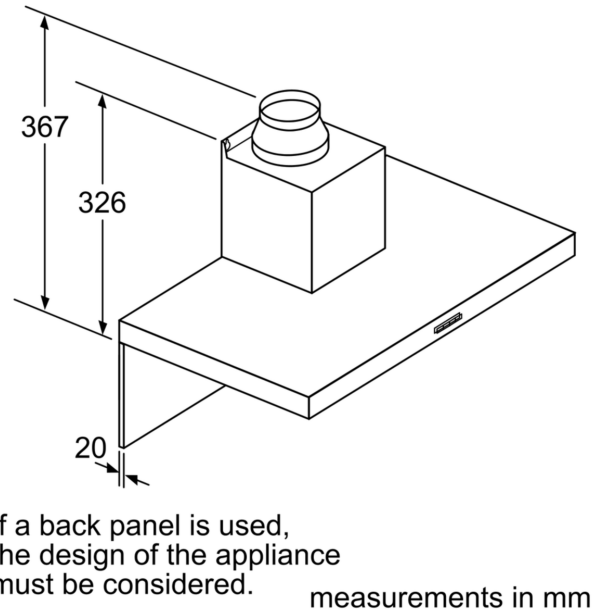
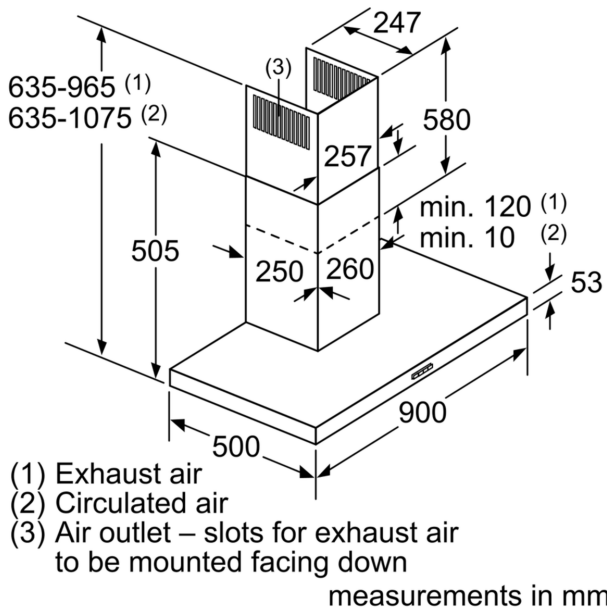
- Suitable for ducted or re-circulated extraction
- Metal grease filter, dishwasher safe
- 2 x 1,5W LED
- Light Intensity: 214 lux
- Colour Temperature: 3500 K

#### **Technical information**

- Diameter pipe Ø 150 mm (Ø 120 mm enclosed)
- Dimensions exhaust air (HxWxD): 635-965 x 900 x 500 mm
- Dimensions recirculating (HxWxD): 635-1075 x 900 x 500 mm
- Connected load: 255 W
- Electrical cable length 1.3 m

\* In accordance with the EU-Regulation No 65/2014

**Series 4, Wall-mounted Hood, 90 cm,  
Stainless steel  
DWB97DM50B**



- A: Electric  
B: Gas - from upper edge of pan support  
C: Electric - for Australia and New Zealand