

**Series 4, Wall-mounted Hood, 90 cm,
Black
DWB97BK61T**



DWZ9HB1U2 Recirculating kit

The wall-mounted chimney hood: mount it on the wall, giving you complete freedom in your kitchen planning

- **Extra power when you need stronger ventilation.**
- **LED Illumination:** The energy-saving lighting provides white and good lighting for the hob area.
- **For fast and effective extraction, the intensive speed setting removes strong kitchen odours quickly and effectively.**
- **Extraction rate:** ensures optimal kitchen air quality.
- **Metal Grease Filter:** cleans the air, captures grease, easy monthly clean-up.

Color chimney: Stainless steel
 Typology: Wall-mounted
 Length electrical supply cord: 200 cm
 Height of the chimney: 550-725/550-830 mm
 Height of product, without chimney: 53 mm
 Net weight: 16.4 kg
 Type of control: Electronic
 Number of speed settings: 3-stages + intensive setting
 Max. air extraction: 582 m³/h
 Boost position output recirculating: 508.0 m³/h
 Max. air recirculation: 480 m³/h
 Boost position air extraction: 779 m³/h
 Number of lights: 2
 Noise level: 66 dB(A) re 1pW
 Diameter of air outlet: 120 / 150 mm
 Grease filter material: Washable aluminium
 Odour filter: No
 Ventilation mode: Convertible
 Type of lamps used: LED
 Total power of the lamps: 6 W
 Grease filter type: Kassette
 Clean filter reminders: No
 Connection rating: 281 W
 Voltage: 220-240 V
 Frequency: 50-60 Hz
 Plug type: no plug
 Installation typology: Wall-mounted
 Material of the body: Stainless steel
 Plug type: no plug
 Dimensions of the product, with chimney (if exists) (in): x x
 Dimensions of the packed product: 22.44 x 39.37 x 18.11
 Net weight: 36.000 lbs
 Gross weight: 54.000 lbs
 Motor location: Integrated motor in hood chimney
 No-return airflow flap: Yes
 Length electrical supply cord: 200 cm
 Dimensions of the product, with chimney (if exists) 550-830x898x500 mm
 Dimensions of the packed product (HxWxD): 570x1000x460 mm
 Net weight: 16.4 kg
 Gross weight: 24.4 kg



Series 4, Wall-mounted Hood, 90 cm, Black DWB97BK61T

**The wall-mounted chimney hood: mount it
on the wall, giving you complete freedom
in your kitchen planning**

Variant:

- DWB97BK61T
- Wall mounted hood
- Box common design

Design

- Box common design
- TouchControl with Electronic display
- Metal grease filter, dishwasher safe

Technical information

- 3 speeds plus intensive setting
- Ducted extraction rate according to DIN/EN 61591 max. 779 m³/h
- 2 x LED 3W
- Suitable for ducted or re-circulated extraction
- For recirculated extraction, recirculating kit (accessory) needed

Comfort

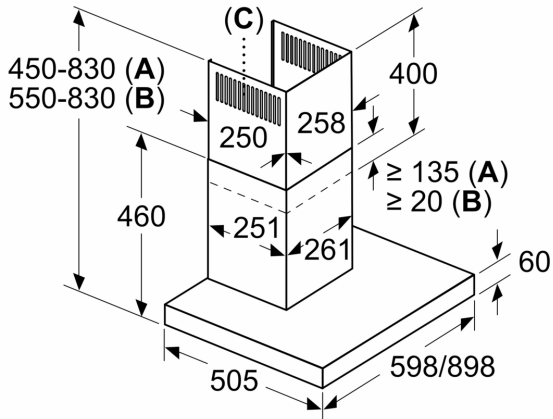
- Noise min./max. Normal Level: 43/66 dB*
- Light Intensity: 304 lux
- Colour Temperature: 3000 K

Comfort:

- 90 cm wide
- Dimensions exhaust air (HxWxD): 450-830 x 898 x 500 mm
- Dimensions recirculating (HxWxD): 550-830 x 898 x 500 mm
- Diameter pipe Ø 150 mm (Ø 120 mm enclosed)

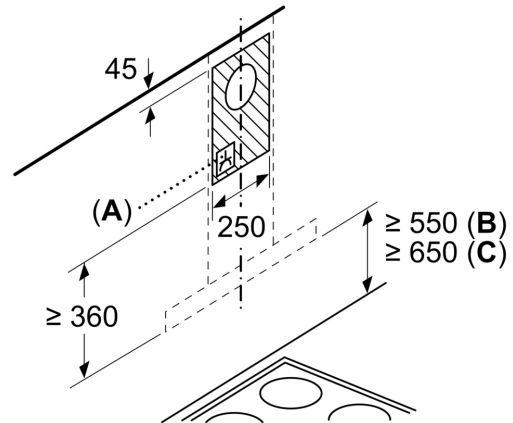
**Series 4, Wall-mounted Hood, 90 cm,
Black
DWB97BK61T**

Measurements in mm



- A:** Exhaust air
- B:** Circulated air
- C:** Air outlet – slots for exhaust air to be mounted facing down

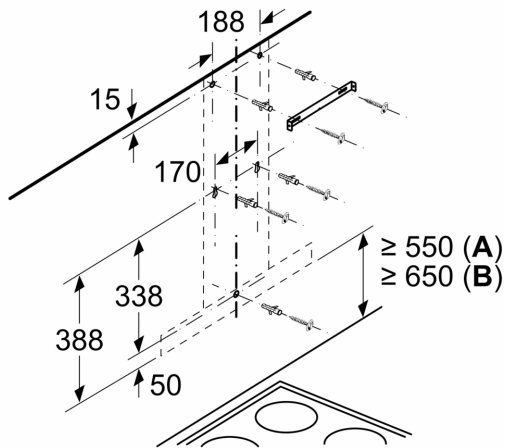
Measurements in mm



- A:** Socket
From upper edge of pan support

- B:** Electric
- C:** Gas

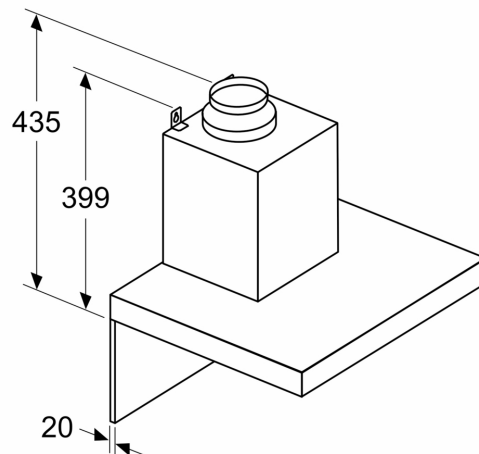
Measurements in mm



From upper edge of pan support

- A:** Electric
- B:** Gas

Measurements in mm



If a back panel is used, the design of the appliance must be considered