

**Series 8, Wall-mounted Hood, 90 cm,
Stainless steel
DWB91PR50A**



**The wall-mounted chimney hood: mount it
on the wall, giving you complete freedom
in your kitchen planning**

- **Easy-to-clean interior:** hidden screws and cables along with rounded edges make cleaning easy.
- **For fast and effective extraction, the intensive speed setting removes strong kitchen odours quickly and effectively.**
- **Silent: maximal extractor performance with little noise**

DHZ1223	Chimney extension 1000 mm
DHZ1233	Chimney extension 1500 mm
DHZ5345	Standard recirculation kit
DHZ5346	Standard odor filter (replacement)
DWZ0XX0J5	Long Life recirculation kit
DWZ1CX1I6	Clean Air Plus recirculation kit
DWZ2CB1I4	Clean Air Standard recirculation kit
DWZ2CX5C6	Clean Air Plus recirc. kit external
DWZ2FX5D1	Long Life recirculation kit external
DZZ0XX0P0	Long Life odor filter (replacement)
DZZ1XX1B6	Clean Air Plus odor filter (replacement)
DZZ2CB1B4	Clean Air Standard odor filter (repl.)

Typology:Wall-mounted
 Length electrical supply cord: 130.0 cm
 Height of the chimney: 582-908/568-1018 mm
 Height of product, without chimney: 46 mm
 Net weight: 19.3 kg
 Type of control:Electronic
 Number of speed settings: 3-stage + 2 intensive
 Max. air extraction: 602 m³/h
 Boost position output recirculating: 561 m³/h
 Max. air recirculation: 462 m³/h
 Boost position air extraction: 965 m³/h
 Number of lights: 3
 Noise level: 64 dB(A) re 1 pW
 Diameter of air outlet: 120 / 150 mm
 Grease filter material: Washable stainless steel
 Odour filter: No
 Ventilation mode:Convertible
 Optional accessories: DHZ1223, DHZ1233, DHZ5345, DHZ5346, DWZ0XX0J5, DWZ1CX1I6, DWZ2CB1I4, DWZ2CX5C6, DWZ2FX5D1, DZZ0XX0P0, DZZ1XX1B6, DZZ2CB1B4
 Type of lamps used: LED
 Grease filter type:Kassette
 Connection rating: 265 W
 Fuse protection:10 A
 Voltage: 220-240 V
 Frequency: 50; 60 Hz
 Plug type: AU plug
 Installation typology:Wall-mounted
 Material of the body:Stainless steel
 Plug type: AU plug
 Dimensions of the product, with chimney (if exists) (in):x x
 Dimensions of the packed product: 23.03 x 25.59 x 38.18
 Net weight: 43.000 lbs
 Gross weight: 56.000 lbs
 Motor location:Integrated motor in hood chimney
 No-return airflow flap: Yes
 Length electrical supply cord: 130.0 cm
 Dimensions of the product, with chimney (if exists): 614-1064 x 898.0 x 500.0 mm
 Dimensions of the packed product (HxWxD): 585 x 650 x 970 mm
 Net weight: 19.3 kg
 Gross weight: 25.6 kg
 Delay shut off modes: 10 min



Series 8, Wall-mounted Hood, 90 cm, Stainless steel DWB91PR50A

**The wall-mounted chimney hood: mount it
on the wall, giving you complete freedom
in your kitchen planning**

Design

- Box brand design
- Appliance colour: Brushed steel

Technical information

- 3-stage + 2 intensive
- Ducted extraction rate according to DIN/EN 61591 max. 965 m³/h
- Extraction rate in recirculation mode:
 - Max. normal use: 471 m³/h
- Suitable for ducted or re-circulated extraction
- Recirculating kit or clean air kit
- Electronic controls via TouchControl
- air quality sensor 1.1
- Noise min./max. Normal Level: 45/64 dB*
- Noise level in recirculation mode:
 - Max. normal use: 72 dB(A) re 1 pW (60 dB(A) re 20 µPa sound pressure)
- Energy Efficiency Class: A+ (at a range of energy efficiency classes from A+++ to E)
- Average Energy Consumption: 34.1 kWh/year*
- Connected load: 265 W

Features

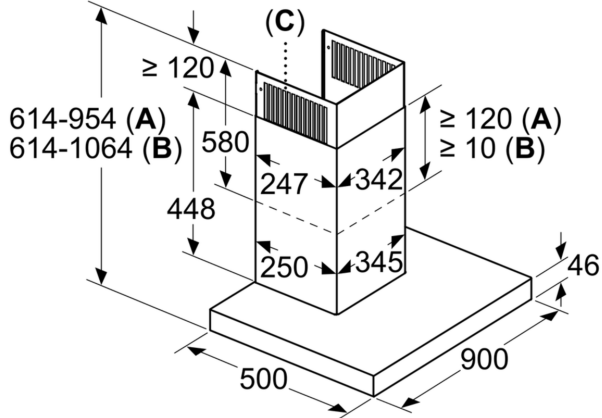
- Metal grease filter, dishwasher safe
- grease- and charcoal filter
- Additional noise insulation
- Light dimmer function

Comfort:

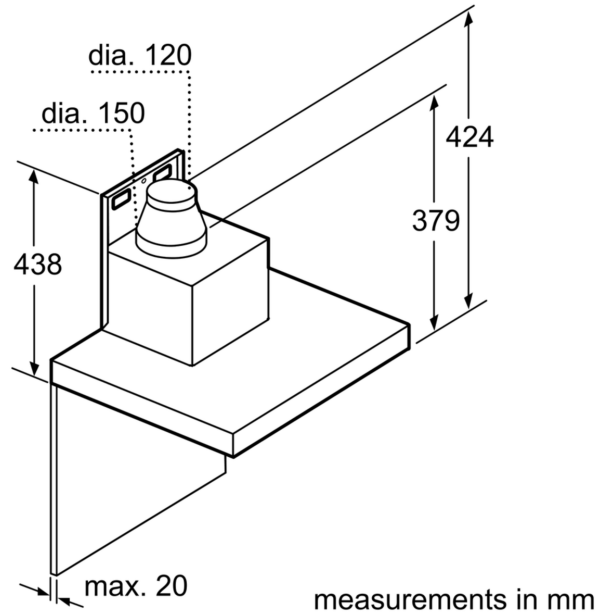
- 90 cm wide
- Dimensions exhaust air (HxWxD): 614-954 x 898 x 500 mm
- Dimensions recirculating (HxWxD): 614-1064 x 898 x 500 mm
- Diameter pipe Ø 150 mm (Ø 120 mm enclosed)
- Electrical cable length 1.3 m

**Series 8, Wall-mounted Hood, 90 cm,
Stainless steel
DWB91PR50A**

measurements in mm

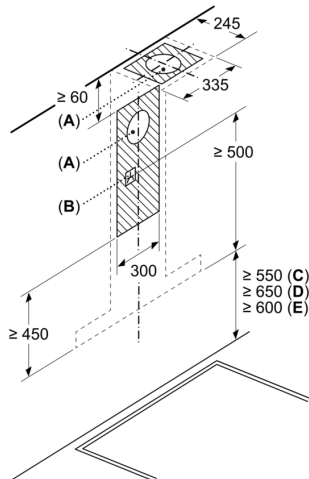


- A:** Air extraction
- B:** Air recirculation
- C:** Air outlet – slots for exhaust air to be mounted facing down



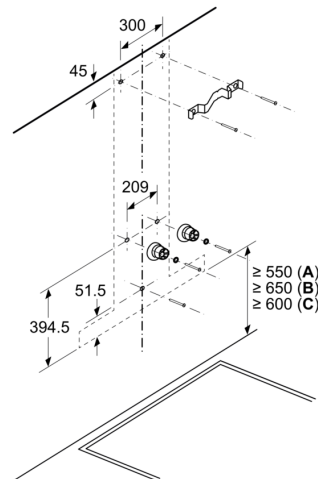
measurements in mm

Measurements in mm



- A:** Exhaust air outlet
- B:** Socket
- C:** Electric
- D:** Gas - from upper edge of pan support
- E:** Electric - for Australia and New Zealand

Measurements in mm



- A:** Electric
- B:** Gas - from upper edge of pan support
- C:** Electric - for Australia and New Zealand