

**Serie | 6, Wall-mounted Hood, 90 cm,
Stainless steel
DWB097E50**

A⁺



The wall-mounted chimney hood: mount it on the wall, giving you complete freedom in your kitchen planning

- **extra silent:** maximal extractor performance with very minimal noise.
- **Easy-to-clean interior:** hidden screws and cables along with rounded edges make cleaning easy.
- **EcoSilence Drive:** our highly efficient motor saves on energy, not on performance.
- For fast and effective extraction, the intensive speed setting removes strong kitchen odours quickly and effectively.
- With exhaust, the air is cleaned by a grease filter and then ducted to the outside which ensures optimal kitchen air quality.
- **Intensive speed setting with reset:** automatically resets the hood to normal speed setting
- Dishwasher safe aluminum mesh filters
- **extra silent:** maximal extractor performance with very minimal noise.
- **Easy-to-clean interior:** hidden screws and cables along with rounded edges make cleaning easy.
- **EcoSilence Drive:** our highly efficient motor saves on energy, not on performance.
- For fast and effective extraction, the intensive speed setting removes strong kitchen odours quickly and effectively.
- With exhaust, the air is cleaned by a grease filter and then ducted to the outside which ensures optimal kitchen air quality.

Technical Data

Typology :	Chimney
Approval certificates :	CE, VDE
Length electrical supply cord (cm) :	130
Height of the chimney (mm) :	582-894/582-1004
Height of product, without chimney (mm) :	60
Net weight (kg) :	17.968
Type of control :	Electronic
Number of speed settings :	3-stage + 2 intensive
Maximum output air extraction (m ³ /h) :	460
Boost position output recirculating (m ³ /h) :	440.0
Boost position air extraction (m ³ /h) :	730
Number of lights :	3
Noise level (dB(A) re 1 pW) :	55
Diameter of air outlet (mm) :	150 / 120
Grease filter material :	Washable aluminium
Odour filter :	No
Operating Mode :	Convertible
Delay Shut off modes :	10M
Optional accessories :	DHZ1223, DHZ1233, DHZ5345, DHZ5346, DSZ5201, DSZ6240, DZZ0XX0P0
Type of lamps used :	LED
Total power of the lamps (W) :	9
Grease filter type :	Kassette
Connection Rating (W) :	139
Current (A) :	10
Voltage (V) :	220-240
Frequency (Hz) :	50; 60
Plug type :	Gardy plug w/ earthing
Installation typology :	Wall-mounted
Material body :	Stainless steel
Approval certificates :	CE, VDE
Plug type :	Gardy plug w/ earthing
Dimensions of the product, with chimney (if exists) (in) :	/ x x
Dimensions of the packed product (in) :	23.03 x 25.59 x 38.18
Net weight (lbs) :	40
Gross weight (lbs) :	52
Motor location :	Integrated motor in hood chimney
No-return airflow flap :	No

Serie | 6, Wall-mounted Hood, 90 cm, Stainless steel DWB097E50

The wall-mounted chimney hood: mount it on the wall, giving you complete freedom in your kitchen planning

- Energy Efficiency Class: A+ (at a range of energy efficiency classes from A++ to E)
- Average Energy Consumption: 32.5 kWh/year*
- Blower Efficiency Class: A*
- Lighting Efficiency Class: A*
- Grease Filtering Efficiency Class: C*
- Noise min./max. Normal Level: 45/55 dB*

Design

- Chimney hood, 90 cm
- 90 cm wide
- Wall mounted hood
- Electronic controls via Push button controls

Technical information

- Twin channel high performance fan motor
- 3-stage + 2 intensive
- Extraction rate according to DIN/EN 61591 \varnothing 15 cm: max. Normal 460 m³/h Intensive 730 m³/h
- Noise level according to EN 60704-3 and EN 60704-2-13 exhaust air at normal use max.: 55 dB(A) re 1 pW (55 dB(A) re 20 μ Pa sound pressure)

Environment and safety

- Metal grease filter, dishwasher safe

Comfort:

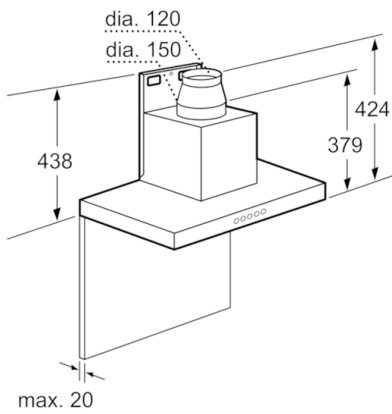
- Suitable for ducted or re-circulated extraction
- Recirculating kit or clean air kit
- 3 x LED 3W
- Light dimmer function
- Light Intensity: 897 lux
- Colour Temperature: 3500 K

Technical information

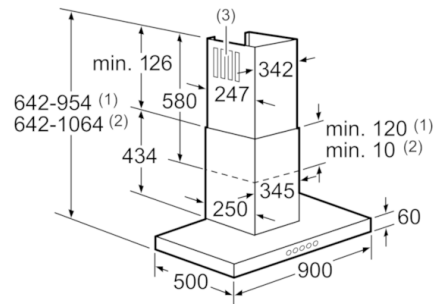
- Dimensions exhaust air (HxWxD): 642-954 x 900 x 500 mm
- Dimensions recirculating (HxWxD): 642-1064 x 900 x 500 mm
- Dimensions recirculating with CleanAir module (HxWxD): 689 x 900 x 500 mm - mounting with outer chimney 809-1139 x 900 x 500 mm - mounting with telescopic chimney
- Diameter pipe \varnothing 150 mm (\varnothing 120 mm enclosed)
- Connected load: 139 W

* In accordance with the EU-Regulation No 65/2014

**Serie | 6, Wall-mounted Hood, 90 cm,
Stainless steel
DWB097E50**

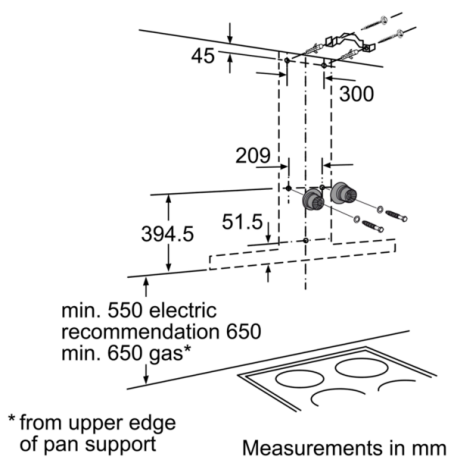


Measurements in mm

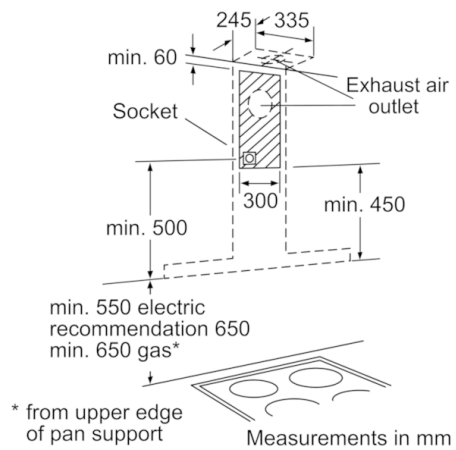


- (1) Exhaust air
- (2) Circulated air
- (3) Air outlet - install with vent at bottom for exhaust air

Measurements in mm



Measurements in mm



Measurements in mm