

**Serie | 2**
**DKE908PMY**  
**Chimney hood, 90 cm**  
**Pyramidal design**

**The wall-mounted chimney hood: mount it on the wall, giving you complete freedom in your kitchen planning.**

- **Extraction rate:** at 860 m<sup>3</sup>/h, it quickly ensures optimal kitchen air quality, with connect pipe:160 mm inner diameter/175 mm outer diameter.
- **Especially quiet:** high performance at just 55 dB(sound pressure level),69 dB(A)(sound power level).
- **High efficiency grease filtration system:** pyramid filter and oil collector system.
- **Halogen lighting:** for optimal, energy-efficient illumination of the hob.

---

**Technical Data**

|                                                            |                               |
|------------------------------------------------------------|-------------------------------|
| Color chimney :                                            | Stainless steel               |
| Typology :                                                 | Chimney                       |
| Length electrical supply cord (cm) :                       | 150                           |
| Height of the chimney (mm) :                               | 780                           |
| Net weight (kg) :                                          | 18.865                        |
| Type of control :                                          | mechanical                    |
| Number of speed settings :                                 | 3                             |
| Number of lights :                                         | 2                             |
| Diameter of air outlet (mm) :                              | 160                           |
| Odour filter :                                             | No                            |
| Operating Mode :                                           | Air extraction only           |
| Type of lamps used :                                       | Halogen                       |
| Total power of the lamps (W) :                             | 40; 40                        |
| Connection Rating (W) :                                    | 190                           |
| Voltage (V) :                                              | 220                           |
| Frequency (Hz) :                                           | 50                            |
| Plug type :                                                | China plug                    |
| Installation typology :                                    | Wall-mounted                  |
| Material body :                                            | Glass, Stainless steel        |
| Plug type :                                                | China plug                    |
| Dimensions of the product, with chimney (if exists) (in) : | / x x                         |
| Dimensions of the packed product (in) :                    | 26.96 x 27.16 x 39.17         |
| Net weight (lbs) :                                         | 42                            |
| Gross weight (lbs) :                                       | 66                            |
| Motor location :                                           | Integrated motor in hood body |
| No-return airflow flap :                                   | No                            |
| Length electrical supply cord (cm) :                       | 150                           |
| Dimensions of the product, with chimney (if exists) (mm) : | 595-880 x 895 x 530           |
| Dimensions of the packed product (HxWxD) (mm) :            | 685 x 690 x 995               |
| Net weight (kg) :                                          | 18.865                        |
| Gross weight (kg) :                                        | 30.0                          |



## Serie | 2 Hoods

### **DKE908PMY**

#### **Chimney hood, 90 cm Pyramidal design**

**The wall-mounted chimney hood: mount it on the wall, giving you complete freedom in your kitchen planning.**

---

#### **Performance**

- Suitable for ducted operation
- Maximum extraction: 860 m<sup>3</sup>/h
- Noise level according to EN 60704-3 and EN 60704-2-13  
exhaust air at normal use max.: 69 dB(A) re 1 pW (69 dB(A) re 20 µPa sound pressure)

#### **Functions**

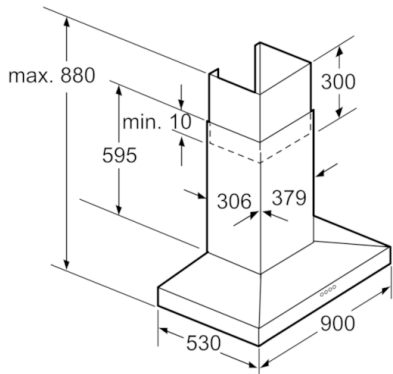
- Twin channel high performance fan motor
- Rocker switches for extractor speeds and light
- 3 speeds
- 2 x 20W halogen bulb

#### **Design**

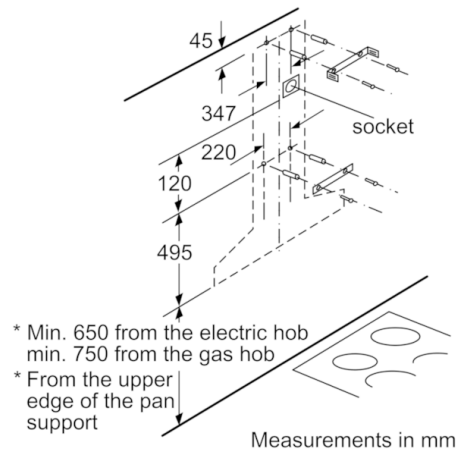
- Chimney hood, 90 cm

#### **Safety functions**

- Metal grease filter, dishwasher safe

**Serie | 2 Hoods****DKE908PMY****Chimney hood, 90 cm  
Pyramidal design**

Measurements in mm



Measurements in mm